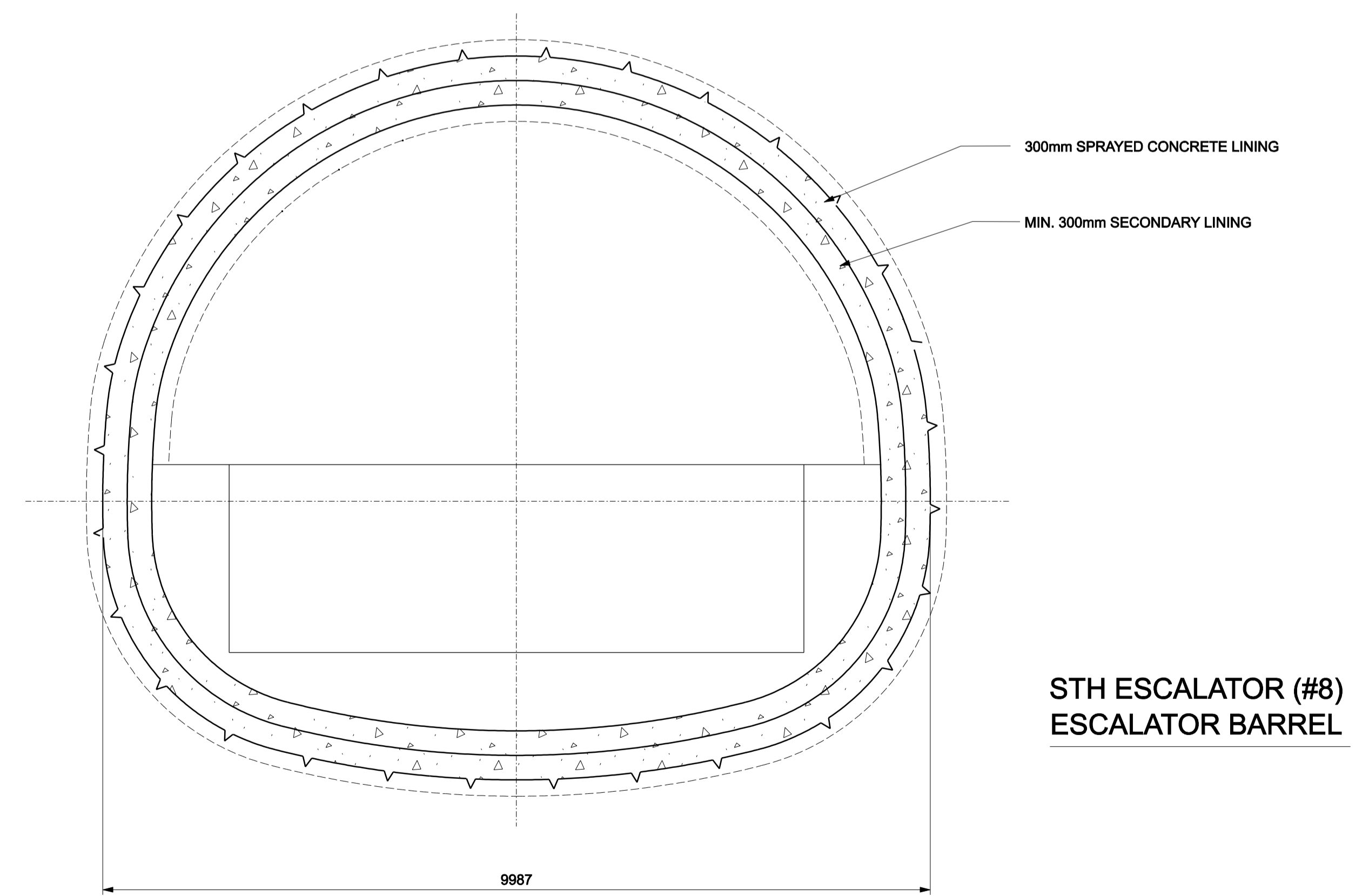
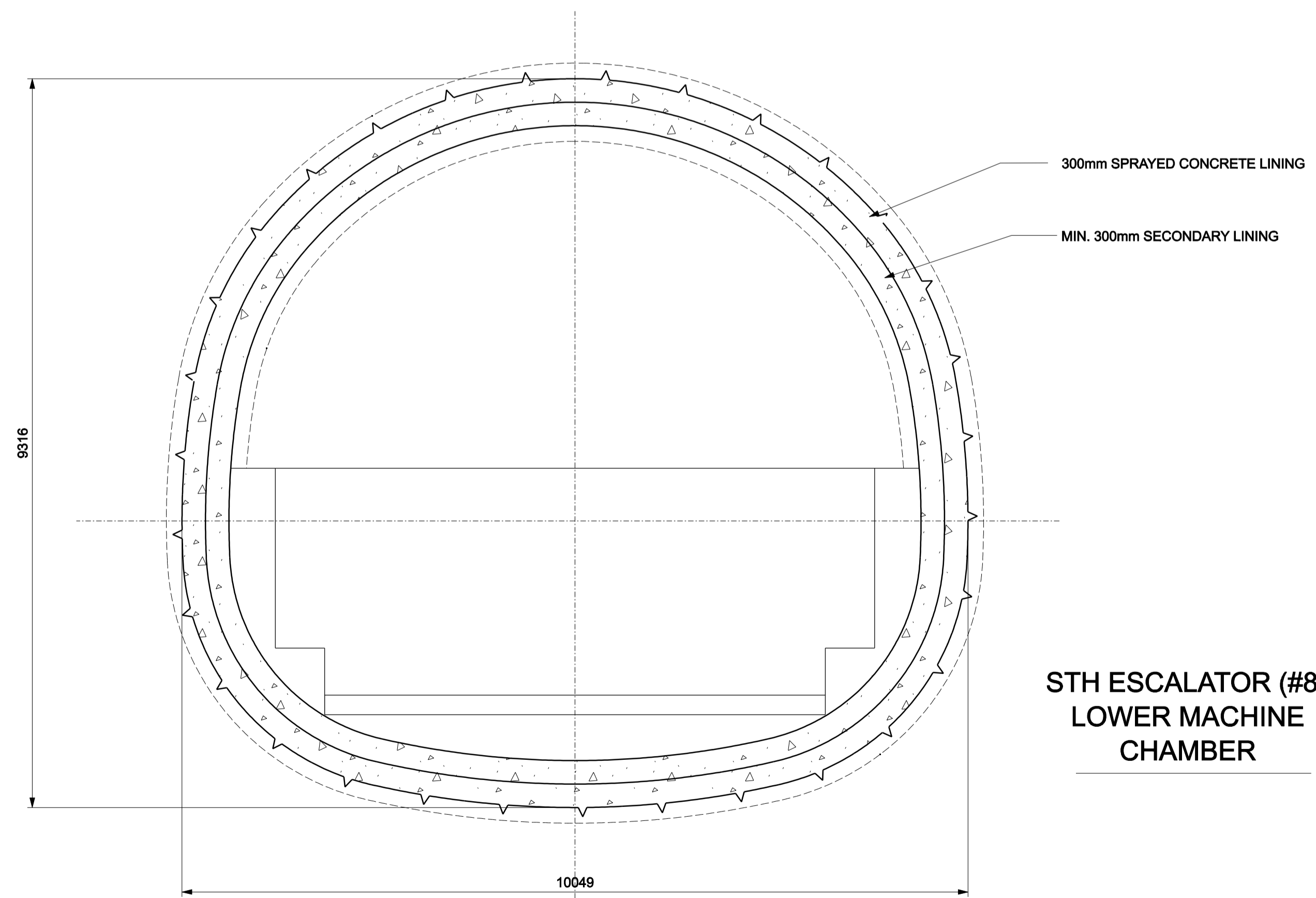
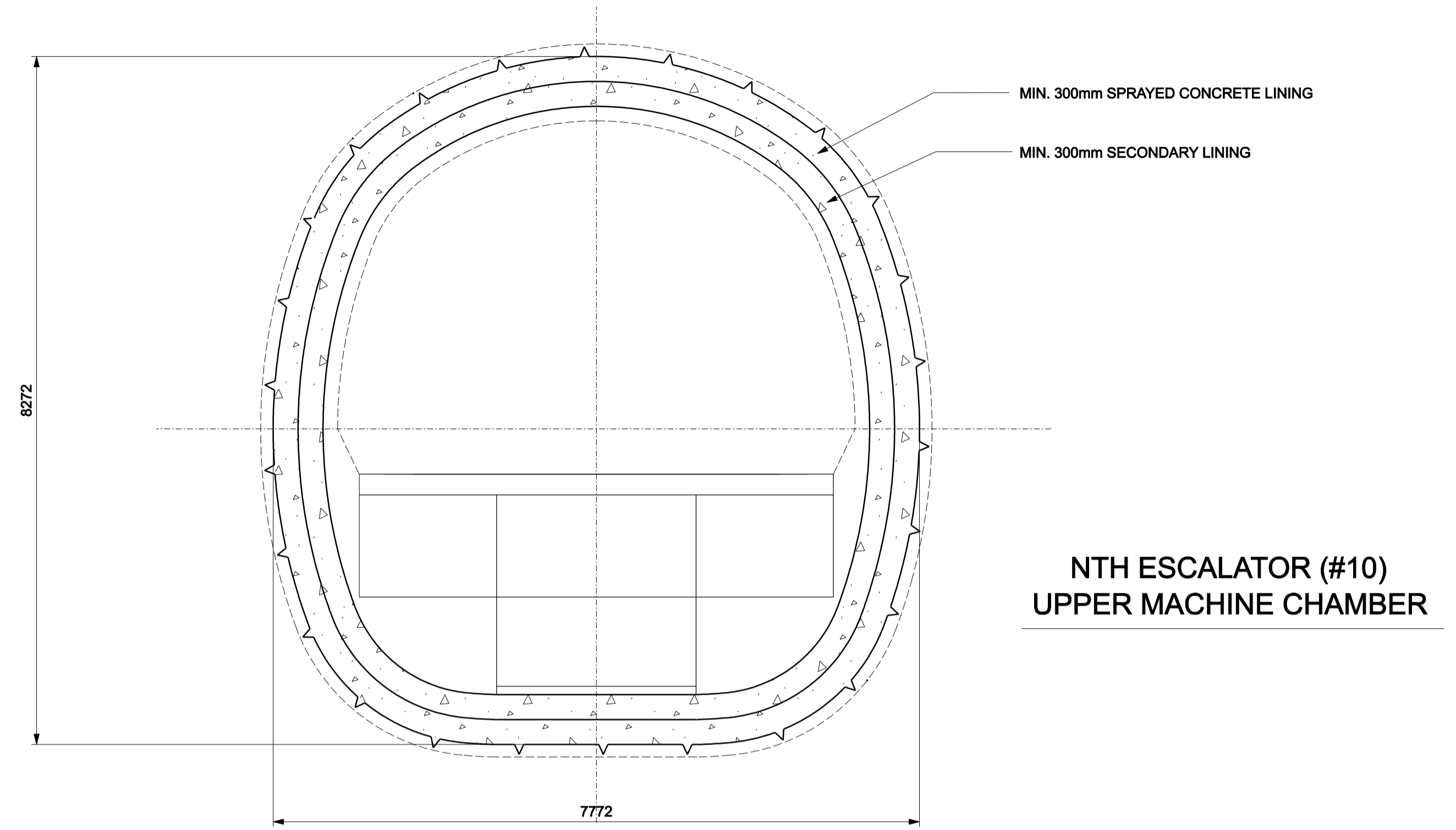
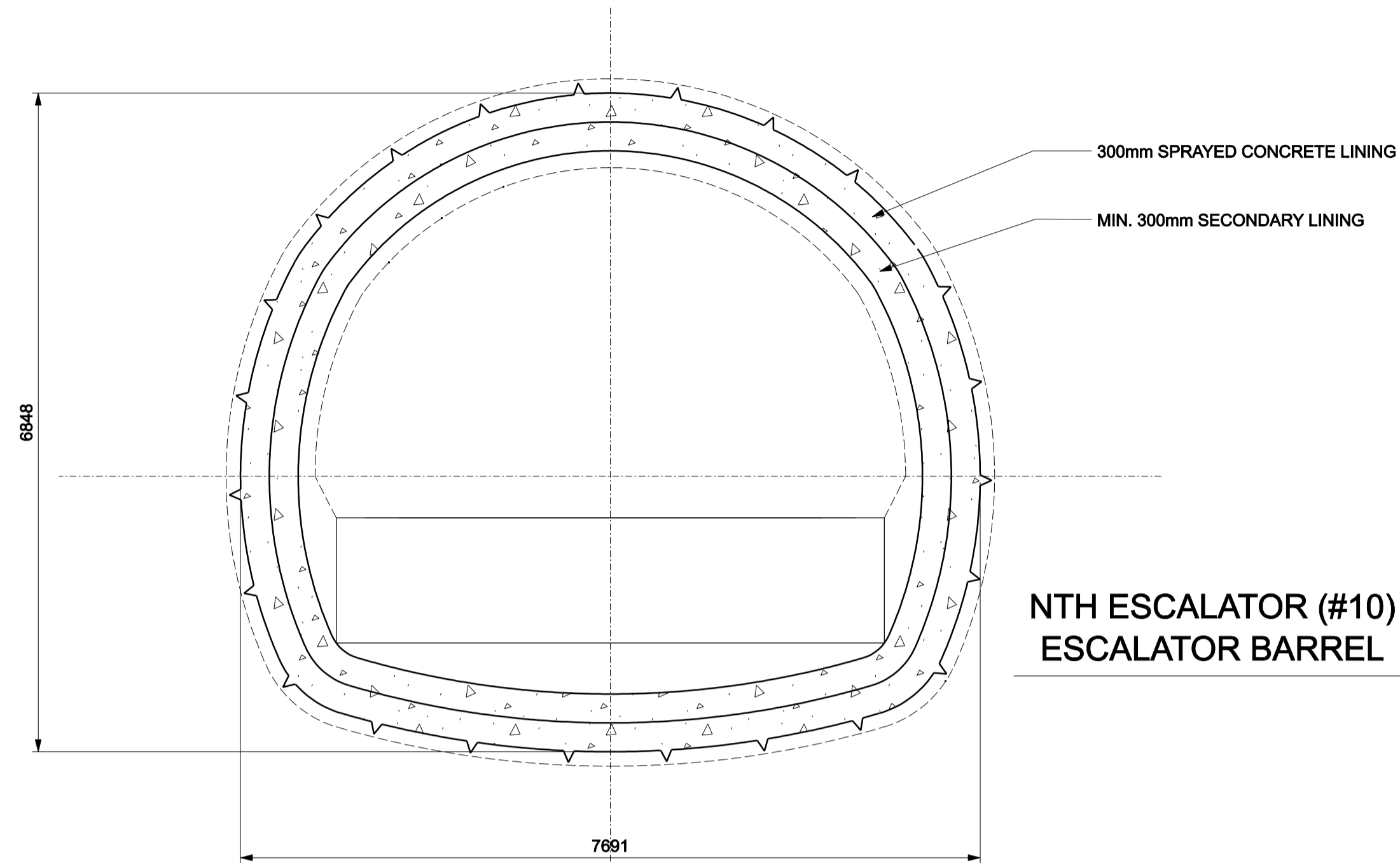


CROSS-SECTIONS

Transport and Works Act 1992
London Underground
(Victoria Station Upgrade) Order
NTH #10 & STH #8

SHEET No. 8



SCALE 1:50 @ A1 (1:100 @ A3)

DRG No.	REV
MMD-V047-1159-GEN-DRG-50623	E02