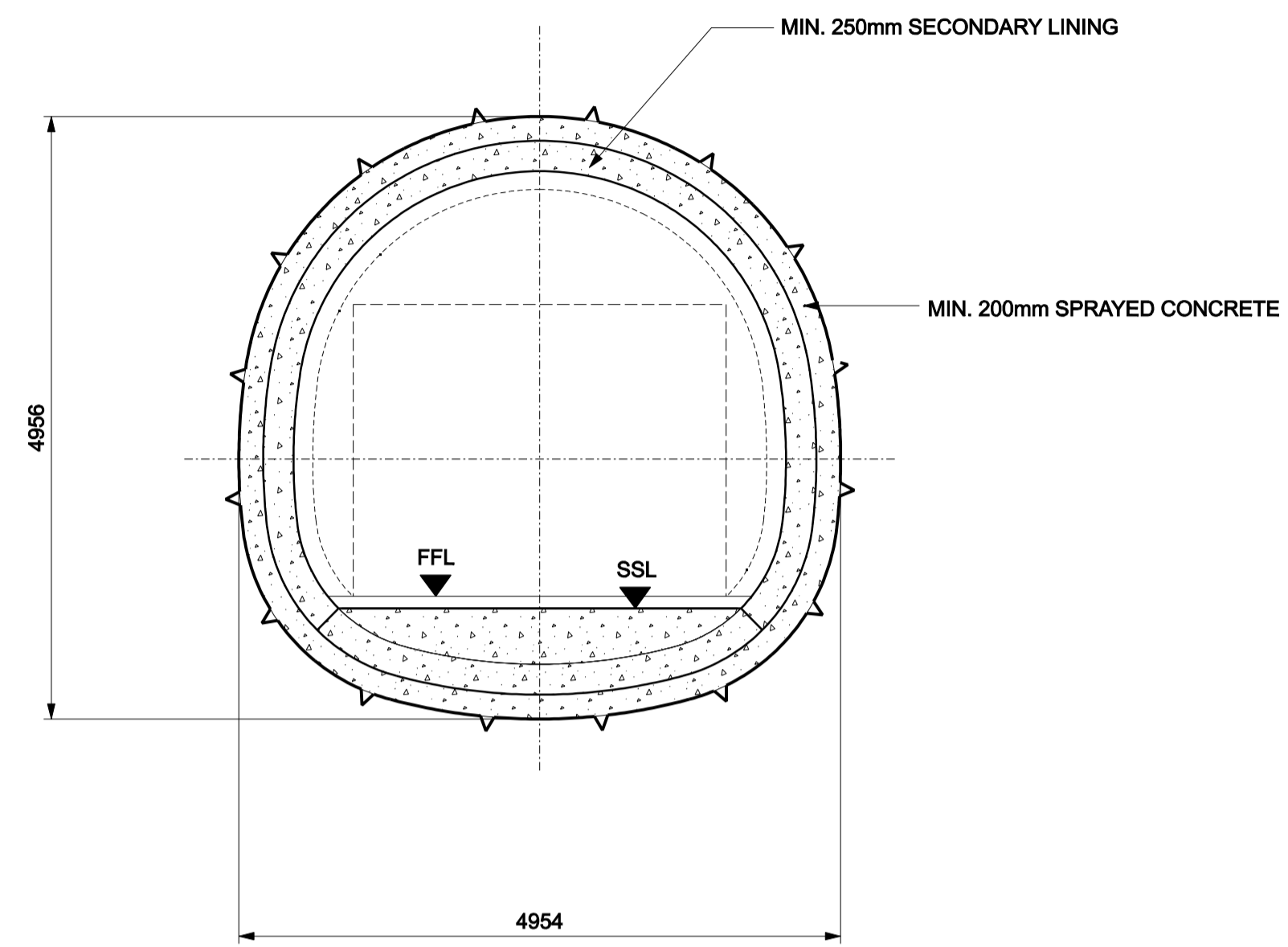


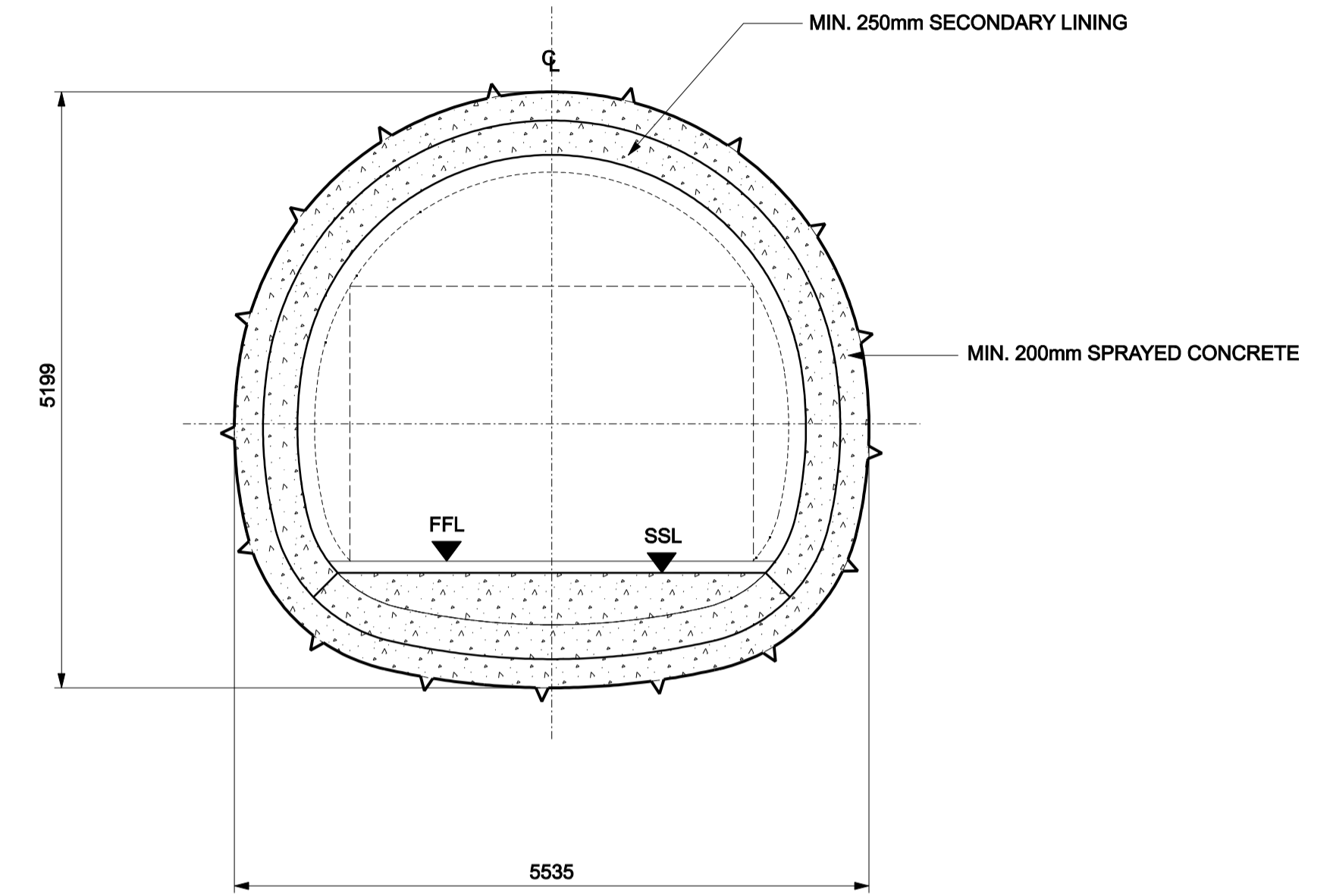
# CROSS-SECTIONS

Transport and Works Act 1992  
 London Underground  
 (Victoria Station Upgrade) Order  
 PAL # 6, 12b, 13 & 19

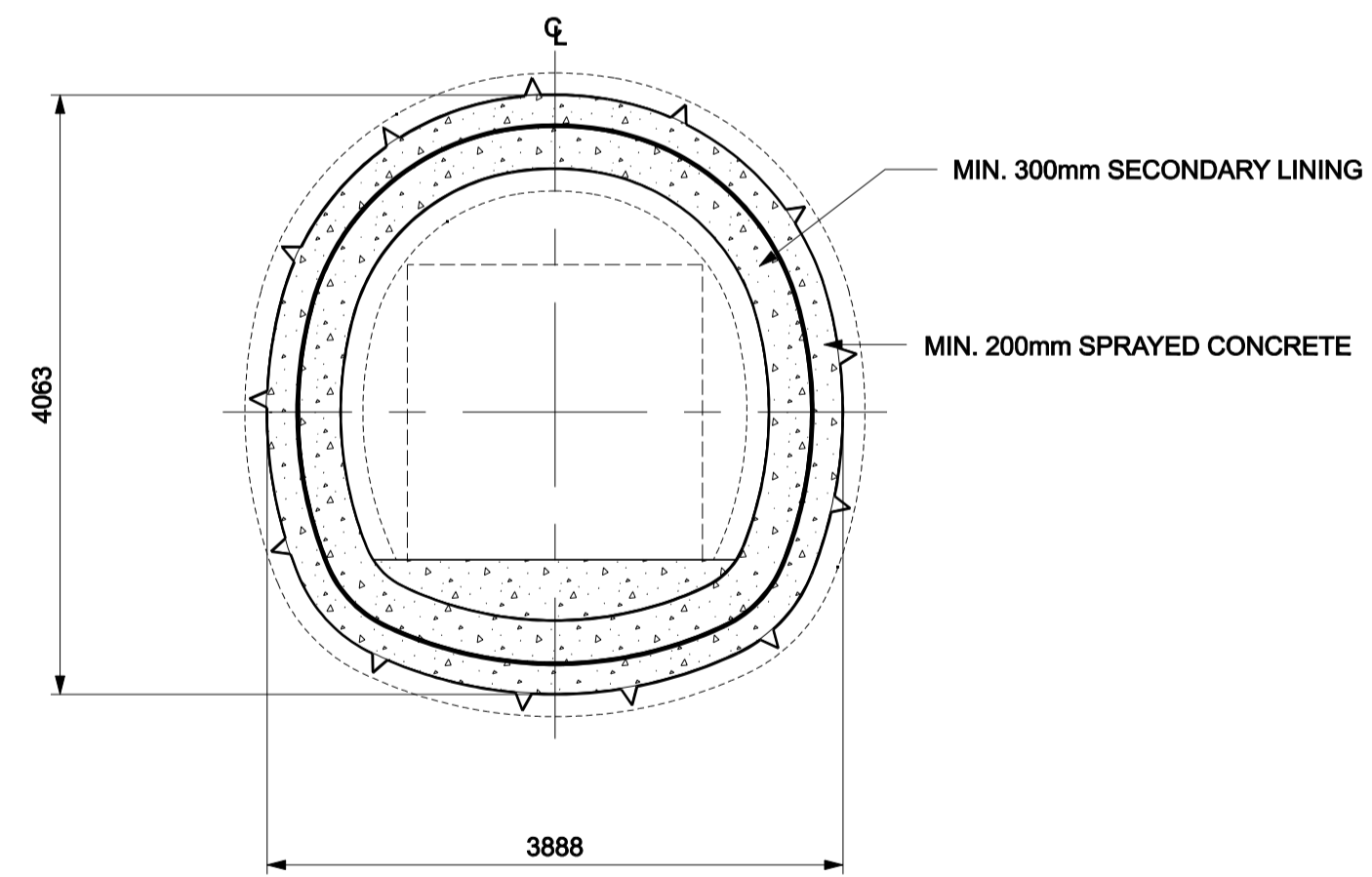
SHEET No. 7



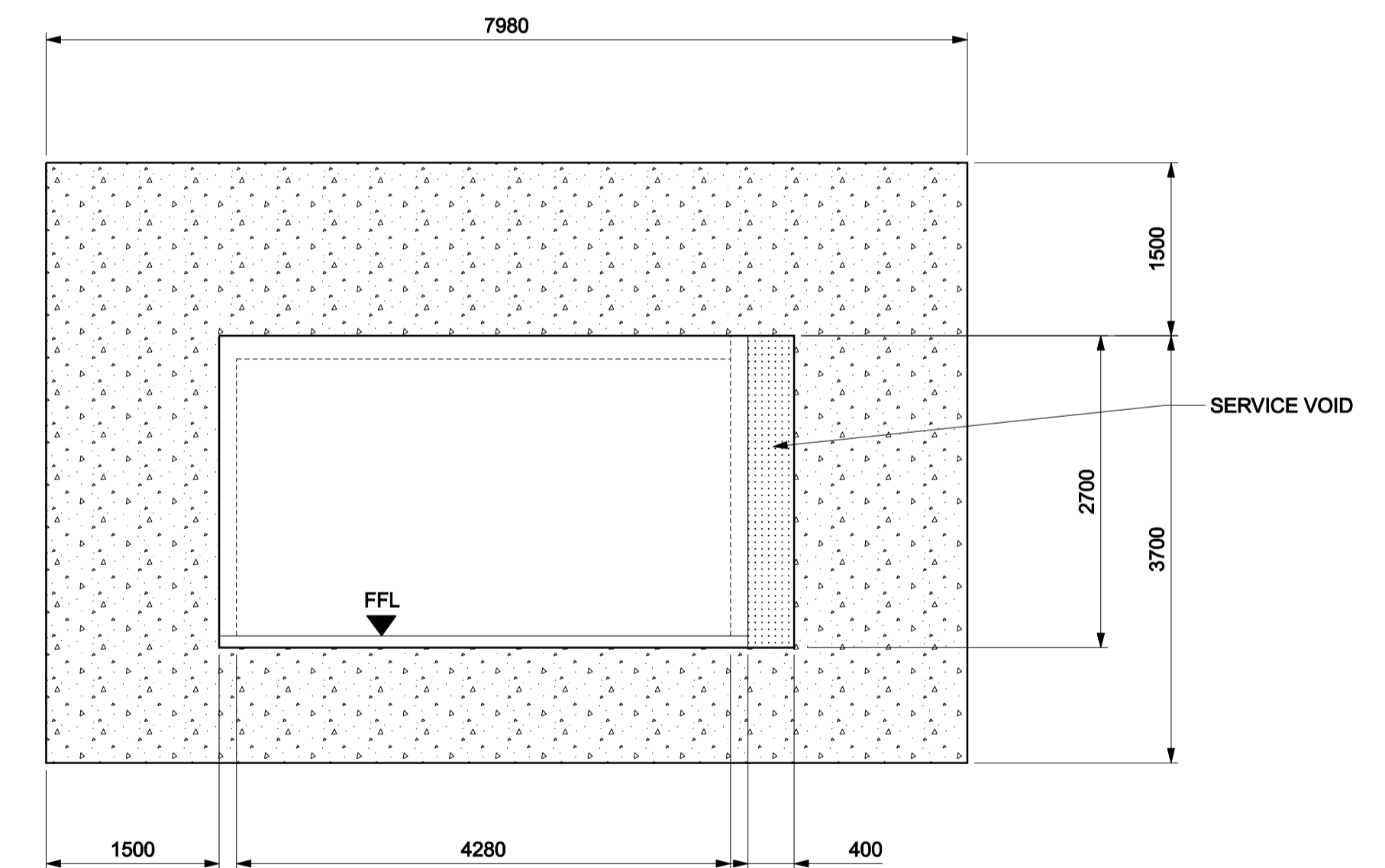
**PAL # 12b**



**PAL # 13**

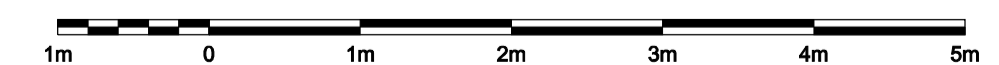


**PAL # 19**



**PAL # 6**

SCALE 1:50 @ A1 (1:100 @ A3)



DRG No.	REV
MMD-V047-1159-GEN-DRG-50622	E03