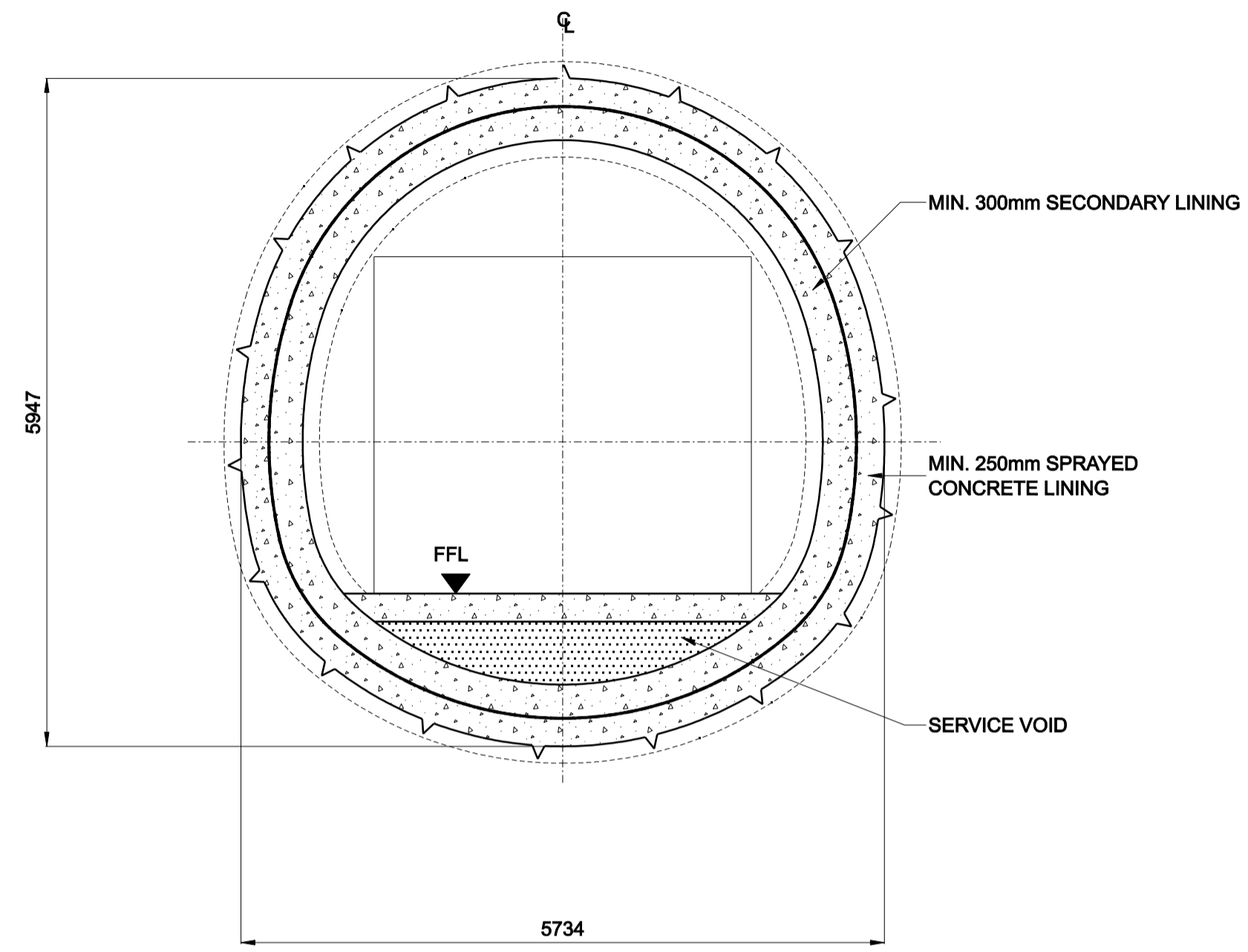


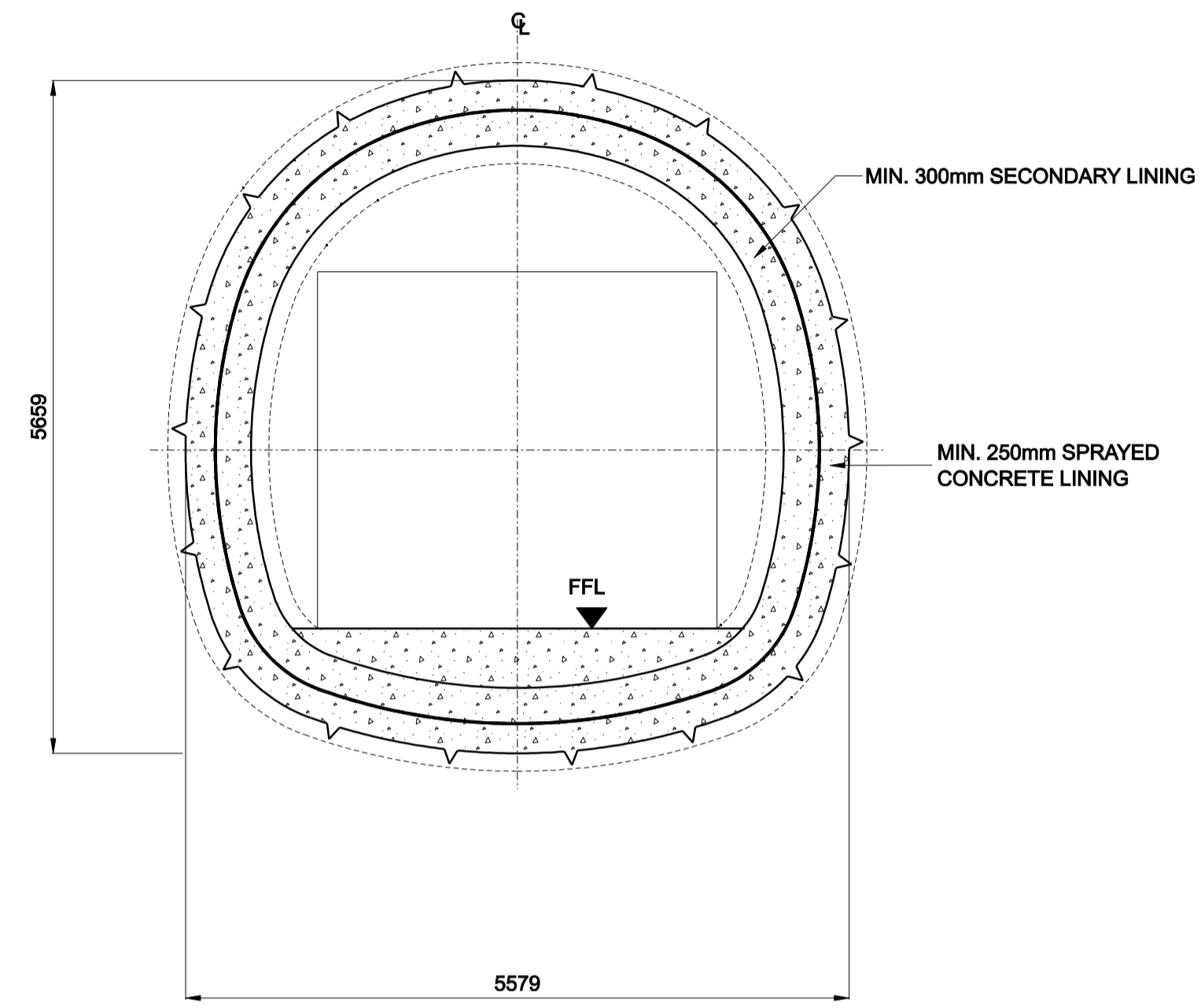
CROSS-SECTIONS

Transport and Works Act 1992
 London Underground
 (Victoria Station Upgrade) Order
 PAL # 1a, 1b, 4a, 4b, 5a, 5b, 7 & 22

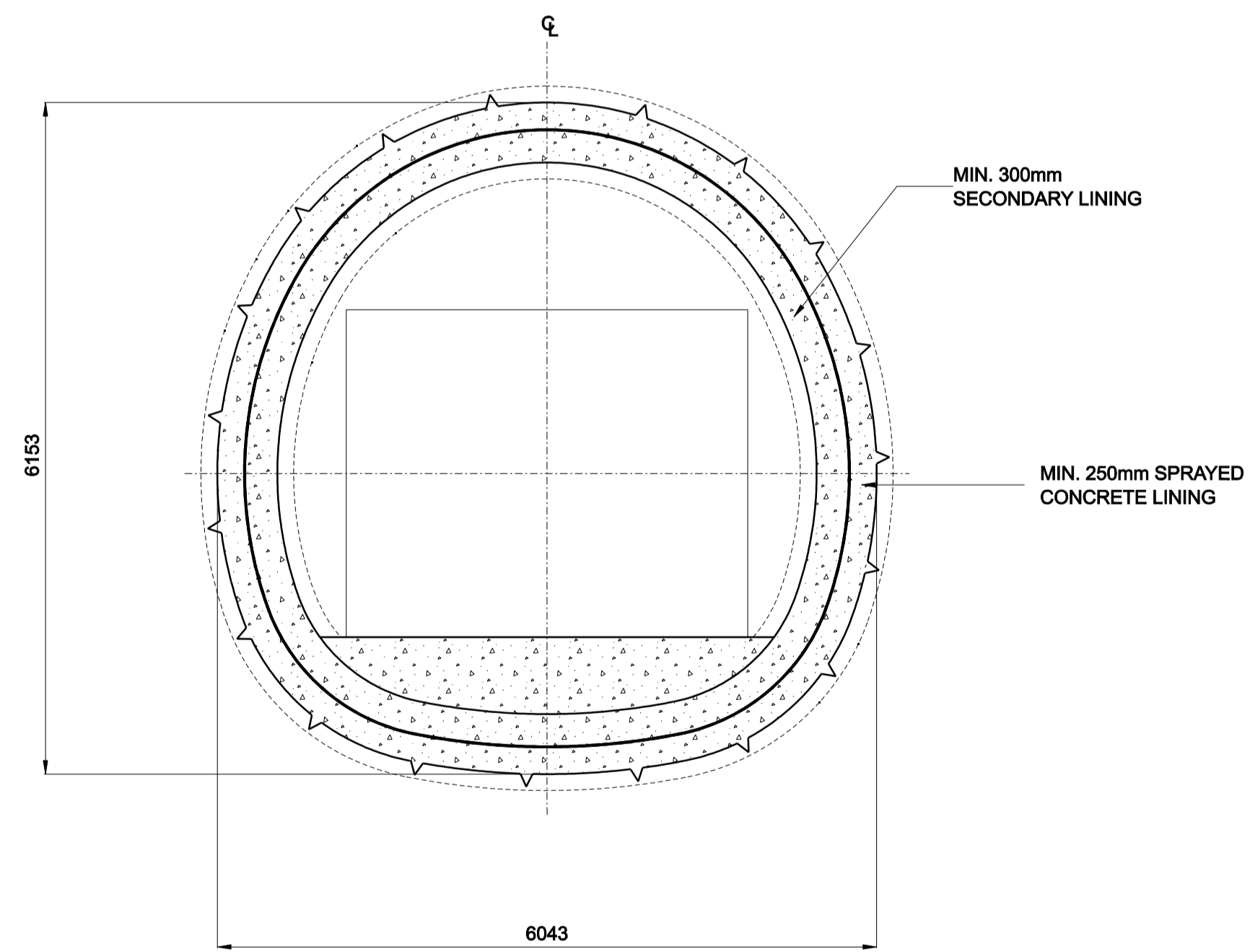
SHEET No. 6



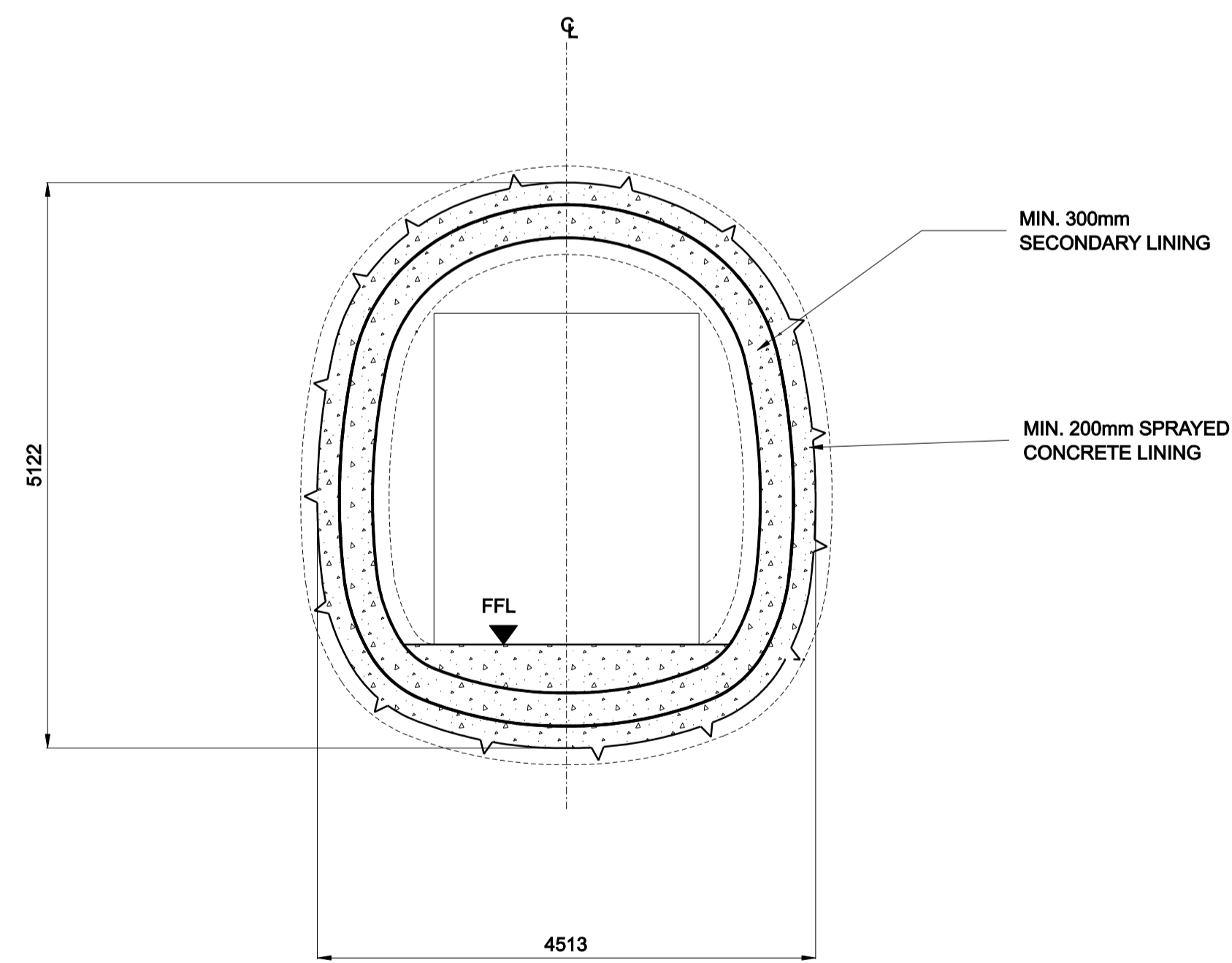
PAL # 1a



PAL # 1b, 4a & 4b



PAL # 5a, 5b & 7



PAL # 22

SCALE 1:50 @ A1 (1:100 @ A3)
 1m 0 1m 2m 3m 4m 5m

DRG No.	REV
MMD-V047-1159-GEN-DRG-50621	E02