

© Crown copyright and database rights 2014 Ordnance Survey 100035971

Transport and Works Act 1992
London Underground (Bank Station Capacity Upgrade) Order

Works Plans, Land Plan, Sections and Other Order Plans

September 2014



Transport and Works Act 1992
London Underground (Bank Station Capacity Upgrade) Order

**Works Plans, Land Plan,
Sections and Other Order Plans**

September 2014

Bank Station Capacity Upgrade Project
5th Floor
10 King William Street
London EC4N 7TW
LUL Document Reference:
LUL-8798-RPT-G-002202

Table of Contents

Drawing Number	Title
BSCU-DRA-MAC-N133_Z-DR-T-0003	Location and Key Plan
BSCU-DRA-MAC-N133_Z-DR-T-0004	Works Plan Sheet 1 of 4
BSCU-DRA-MAC-N133_Z-DR-T-0005	Works Plan Sheet 2 of 4
BSCU-DRA-MAC-N133_Z-DR-T-0006	Works Plan Sheet 3 of 4
BSCU-DRA-MAC-N133_Z-DR-T-0007	Works Plan Sheet 4 of 4
BSCU-DRA-MAC-N133_Z-DR-T-0050	Land Plan
BSCU-DRA-MAC-N133_Z-DR-T-0008	Longitudinal Section Work No. 1 Sheet 1 of 2
BSCU-DRA-MAC-N133_Z-DR-T-0009	Longitudinal Section Work No. 1 Sheet 2 of 2
BSCU-DRA-MAC-N133_Z-DR-T-0012	Longitudinal Section Work No. 1A, 1B, 1C & 1D
BSCU-DRA-MAC-N133_Z-DR-T-0016	Longitudinal Section Work No. 2
BSCU-DRA-MAC-N133_Z-DR-T-0018	Longitudinal Section Work No. 3 & 4
BSCU-DRA-MAC-N133_Z-DR-T-0019	Longitudinal Section Work No. 5 & 6
BSCU-DRA-MAC-N133_Z-DR-T-0021	Longitudinal Section Work No. 7, 8, 9 & 10
BSCU-DRA-MAC-N133_Z-DR-T-0025	Longitudinal Section Work No.11 & 12
BSCU-DRA-MAC-N133_Z-DR-T-0029	Longitudinal Section Work No.13, 14 & 15
BSCU-DRA-MAC-N133_Z-DR-T-0034	Longitudinal Section Work No.16, 17 & 18
BSCU-DRA-MAC-N133_Z-DR-T-0038	Longitudinal Section Work No. 19, 20, 21 & 22
BSCU-DRA-MAC-N133_Z-DR-T-0039	Longitudinal Section Work No. 23 & 24
BSCU-DRA-MAC-N133_Z-DR-T-0124	Cross Section Work No. 1 Sheet 1 of 2
BSCU-DRA-MAC-N133_Z-DR-T-0125	Cross Section Work No. 1 Sheet 2 of 2
BSCU-DRA-MAC-N133_Z-DR-T-0126	Cross Section Work No. 1A, 1B, 1C & 1D Sheet 1 of 2
BSCU-DRA-MAC-N133_Z-DR-T-0127	Cross Section Work No. 1A, 1B, 1C & 1D Sheet 2 of 2
BSCU-DRA-MAC-N133_Z-DR-T-0128	Cross Section Work No. 2 & 3
BSCU-DRA-MAC-N133_Z-DR-T-0129	Cross Section Work No. 4
BSCU-DRA-MAC-N133_Z-DR-T-0130	Cross Section Work No. 5
BSCU-DRA-MAC-N133_Z-DR-T-0131	Cross Section Work No. 6, 7, 8, 9 & 10
BSCU-DRA-MAC-N133_Z-DR-T-0132	Cross Section Work No. 11, 12 & 13
BSCU-DRA-MAC-N133_Z-DR-T-0133	Cross Section Work No. 14, 15, 16 & 17
BSCU-DRA-MAC-N133_Z-DR-T-0134	Cross Section Work No. 18 & 19
BSCU-DRA-MAC-N133_Z-DR-T-0135	Cross Section Work No. 20, 21, 22, 23 & 24
BSCU-DRA-MAC-N133_Z-DR-T-0081	Access to works and permanent stopping up of streets plan

TRANSPORT AND WORKS ACT 1992 LONDON UNDERGROUND (BANK STATION CAPACITY UPGRADE) ORDER

CITY OF LONDON

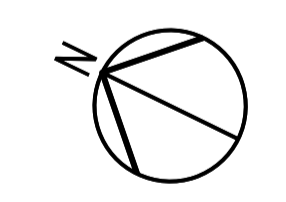
Key:
--- Limits of Deviation

Works Plan Sheet 1 of 4
BSCU-DRA-MAC-N133_Z-DR-T-0004

Works Plan Sheet 2 of 4
BSCU-DRA-MAC-N133_Z-DR-T-0005

Works Plan Sheet 3 of 4
BSCU-DRA-MAC-N133_Z-DR-T-0006

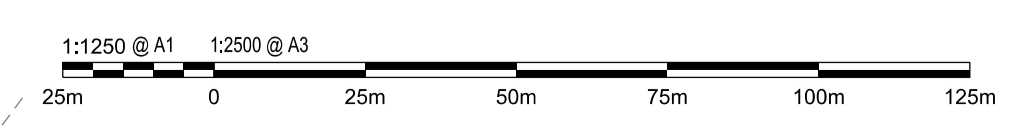
Works Plan Sheet 4 of 4
BSCU-DRA-MAC-N133_Z-DR-T-0007



PROJECT
**BANK STATION
CAPACITY UPGRADE PROJECT**

PURPOSE OF ISSUE
FOR TWAO APPLICATION

TITLE
**LOCATION
AND KEY PLAN**

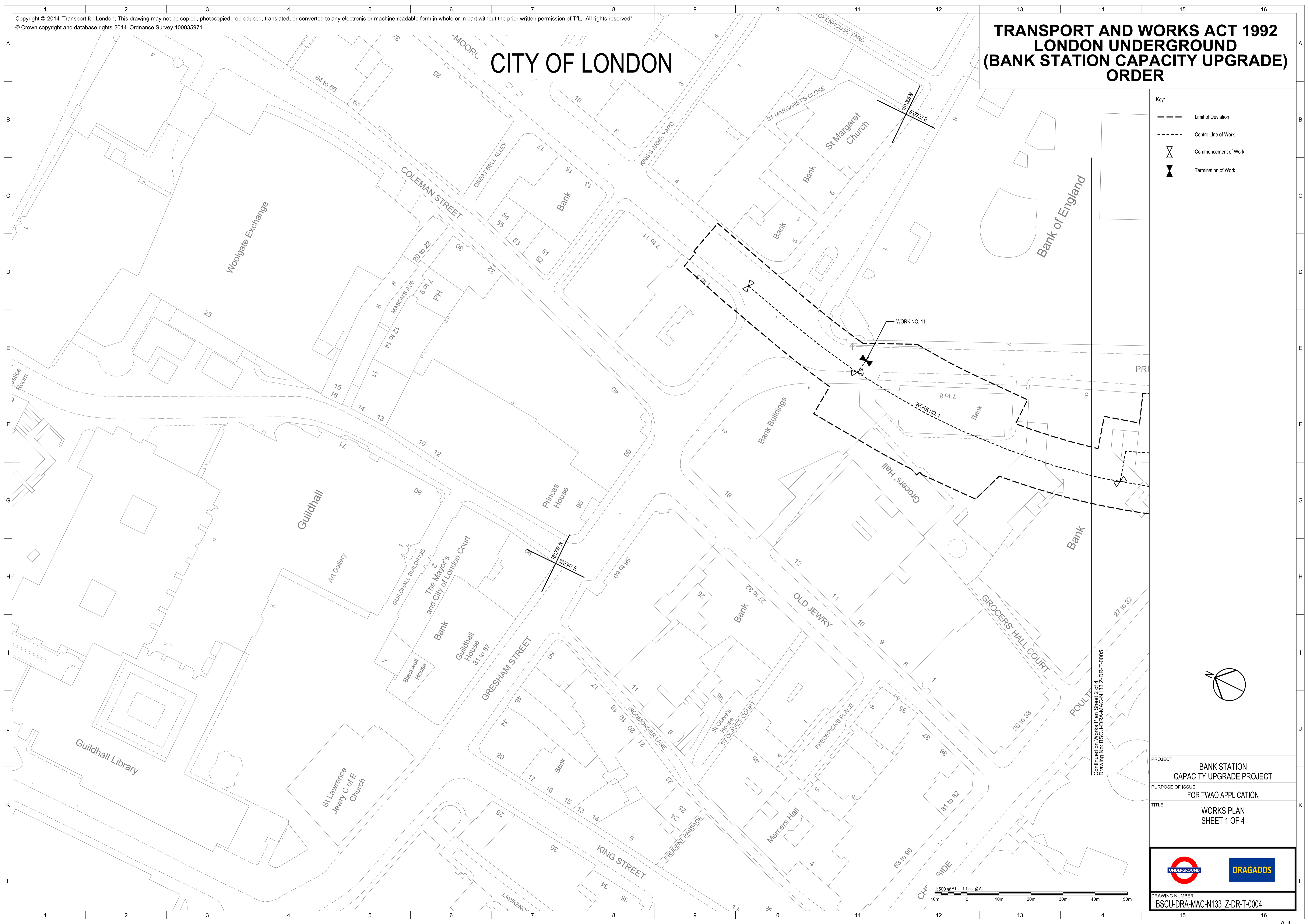


DRAWING NUMBER
BSCU-DRA-MAC-N133_Z-DR-T-0003

CITY OF LONDON



TRANSPORT AND WORKS ACT 1992 LONDON UNDERGROUND (BANK STATION CAPACITY UPGRADE) ORDER

- Key:
- Limit of Deviation
 - - - Centre Line of Work
 - ⊗ Commencement of Work
 - ⊘ Termination of Work



Continued on Works Plan Sheet 2 of 4
Drawing No: BSCU-DRA-MAC-N133 Z-DR-T-0005

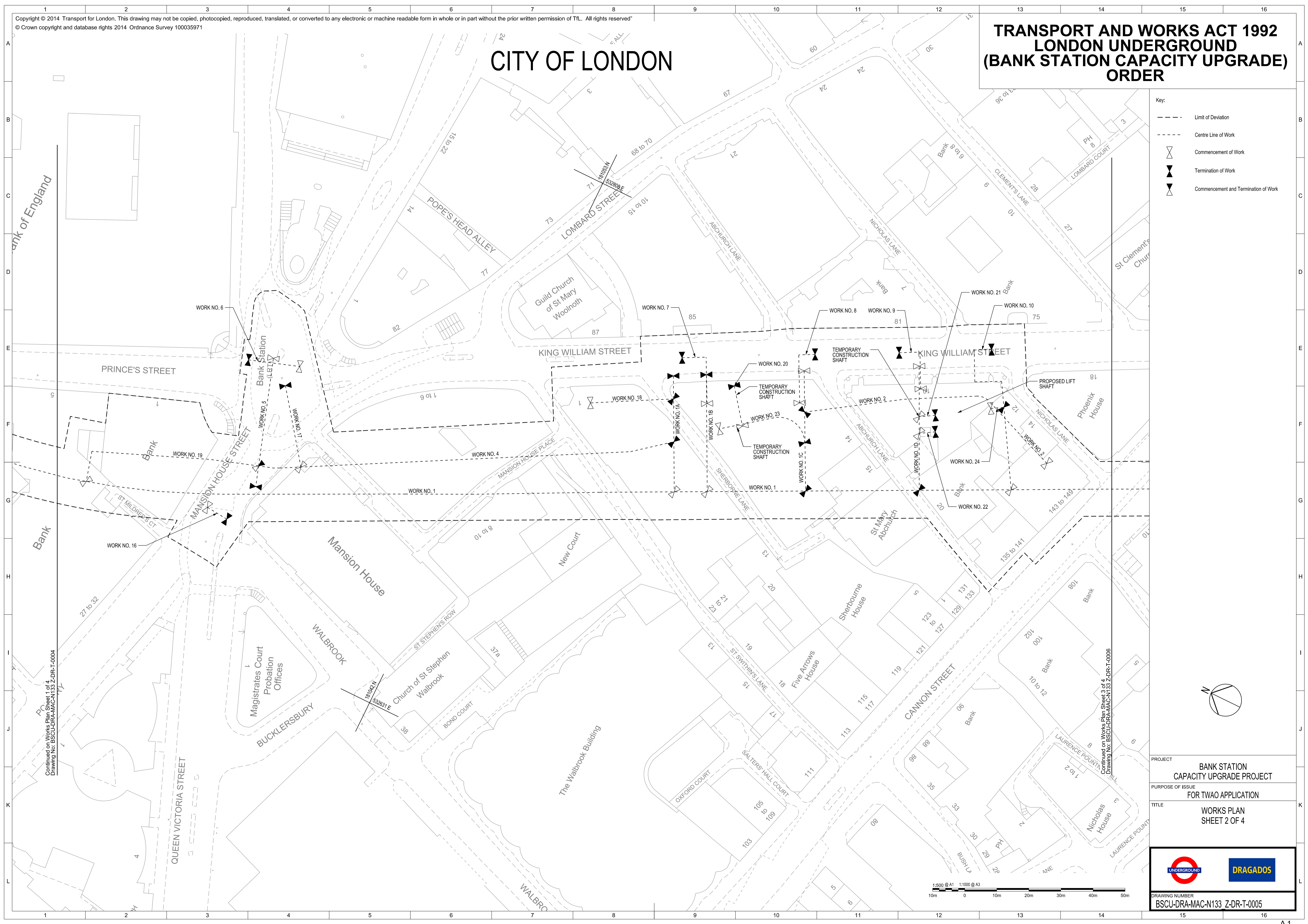
PROJECT	BANK STATION CAPACITY UPGRADE PROJECT
PURPOSE OF ISSUE	FOR TWAO APPLICATION
TITLE	WORKS PLAN SHEET 1 OF 4

	
DRAWING NUMBER BSCU-DRA-MAC-N133 Z-DR-T-0004	

CITY OF LONDON

TRANSPORT AND WORKS ACT 1992 LONDON UNDERGROUND (BANK STATION CAPACITY UPGRADE) ORDER

- Key:
- Limit of Deviation
 - - - Centre Line of Work
 - ⊗ Commencement of Work
 - ⊗ Termination of Work
 - ⊗ Commencement and Termination of Work



Continued on Works Plan Sheet 1 of 4
Drawing No: BSCU-DRA-MAC-N133 Z-DR-T-0004

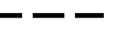
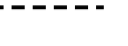



Continued on Works Plan Sheet 3 of 4
Drawing No: BSCU-DRA-MAC-N133 Z-DR-T-0006

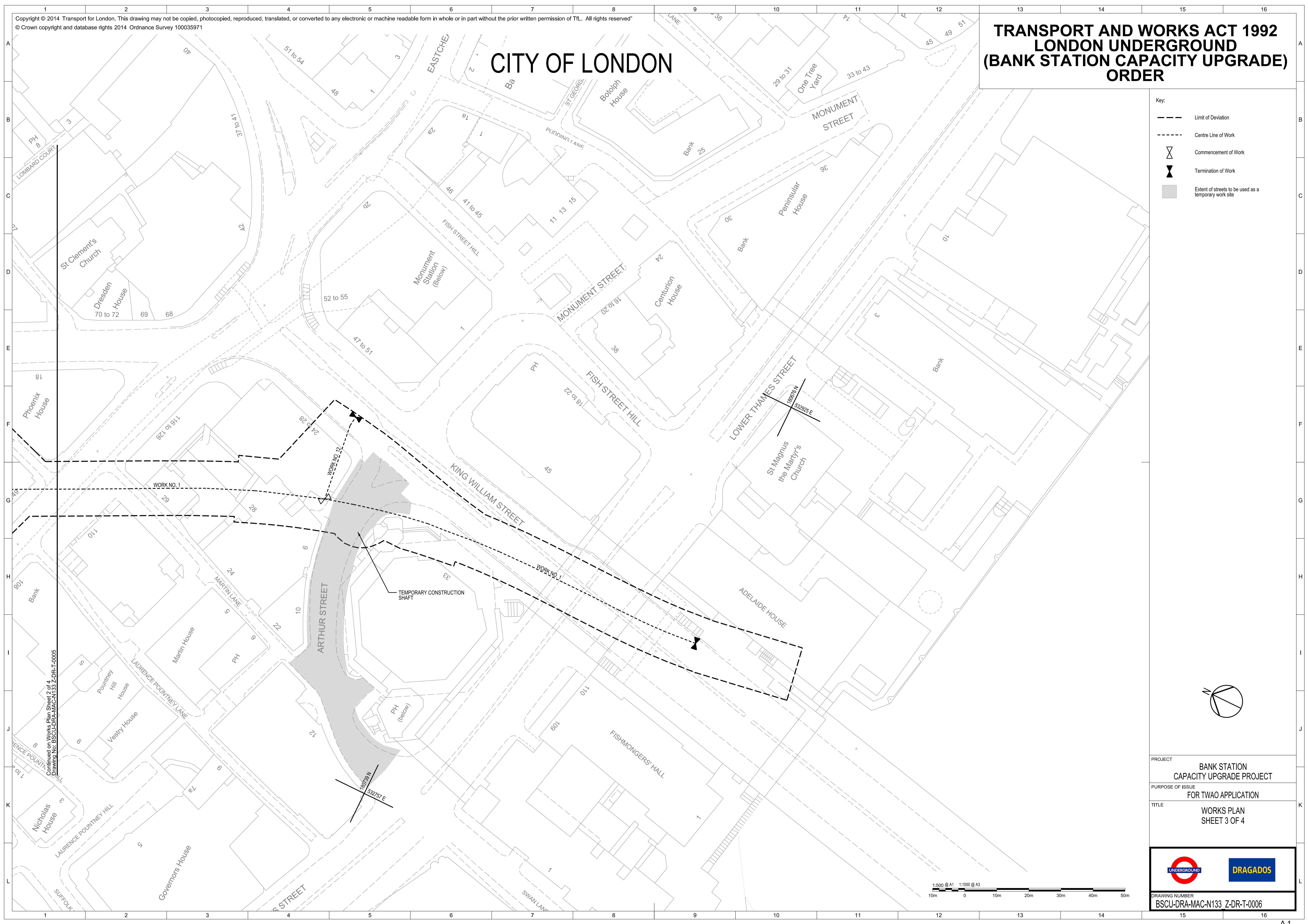


PROJECT	BANK STATION CAPACITY UPGRADE PROJECT
PURPOSE OF ISSUE	FOR TWAO APPLICATION
TITLE	WORKS PLAN SHEET 2 OF 4
DRAWING NUMBER	BSCU-DRA-MAC-N133 Z-DR-T-0005

TRANSPORT AND WORKS ACT 1992 LONDON UNDERGROUND (BANK STATION CAPACITY UPGRADE) ORDER


CITY OF LONDON

- Key:
-  Limit of Deviation
 -  Centre Line of Work
 -  Commencement of Work
 -  Termination of Work
 -  Extent of streets to be used as a temporary work site



Continued on Works Plan Sheet 2 of 4
 Drawing No. BSCU-DRA-MAC-N133 Z-DR-T-0005

PROJECT	BANK STATION CAPACITY UPGRADE PROJECT
PURPOSE OF ISSUE	FOR TWAO APPLICATION
TITLE	WORKS PLAN SHEET 3 OF 4



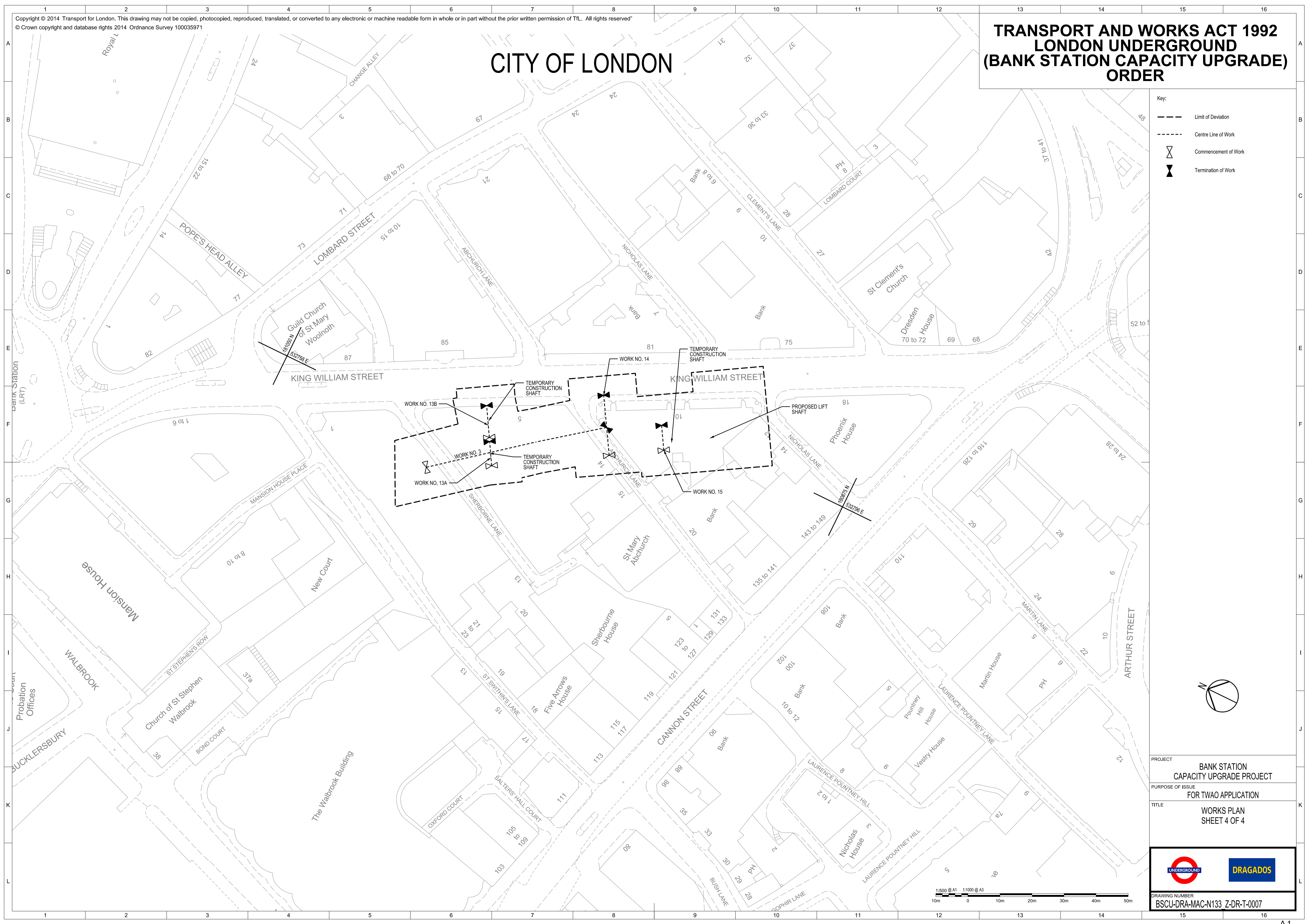

DRAWING NUMBER
 BSCU-DRA-MAC-N133 Z-DR-T-0006



TRANSPORT AND WORKS ACT 1992 LONDON UNDERGROUND (BANK STATION CAPACITY UPGRADE) ORDER

CITY OF LONDON

- Key:
- Limit of Deviation
 - - - Centre Line of Work
 - ⊗ Commencement of Work
 - ⊘ Termination of Work



PROJECT
**BANK STATION
 CAPACITY UPGRADE PROJECT**

PURPOSE OF ISSUE
FOR TWAO APPLICATION

TITLE
**WORKS PLAN
 SHEET 4 OF 4**

DRAWING NUMBER
BSCU-DRA-MAC-N133 Z-DR-T-0007

CITY OF LONDON

TRANSPORT AND WORKS ACT 1992 LONDON UNDERGROUND (BANK STATION CAPACITY UPGRADE) ORDER

- Key:
- Limits of land to be acquired or used
 - Land Parcel

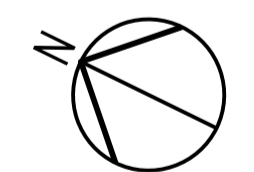
UNRESTRICTED POWERS TO ACQUIRE LAND	
Number on Plan	Purpose
99, 100, 101, 102, 103, 104, 105, 106, 107	For the Scheduled Works

POWER TO ACQUIRE LAND RESTRICTED TO SUBSOIL MORE THAN 9 METRES BELOW SURFACE OF GROUND	
Number on Plan	Purpose
5, 6, 12, 15, 17, 18, 19, 24, 25, 29, 34, 35, 37, 38, 39, 45, 46, 56, 76, 77, 78, 80, 82, 83, 91, 92, 93, 98, 109, 118, 119, 132, 133, 134, 137, 139, 143, 145, 147, 148, 149, 154, 158, 159	For the Scheduled Works

POWER TO IMPOSE RESTRICTIVE COVENANTS	
Number on Plan	Purpose
18, 25, 29, 35, 78, 80, 143, 149	Protection of Tunnels

POWER TO TAKE TEMPORARY POSSESSION OF LAND	
Number on Plan	Purpose
108	Erecting scaffolding to carry out protective works to St Mary Abchurch and carrying out of utilities works
90, 92, 93, 97, 108, 109, 110, 116, 120, 121	Crane oversailing
128, 129	To provide a temporary means of passage for persons and vehicles from Laurence Pountney Lane to access adjacent buildings.

Note: All land parcels are subject to power to carry out protective works and power to survey and investigate land.



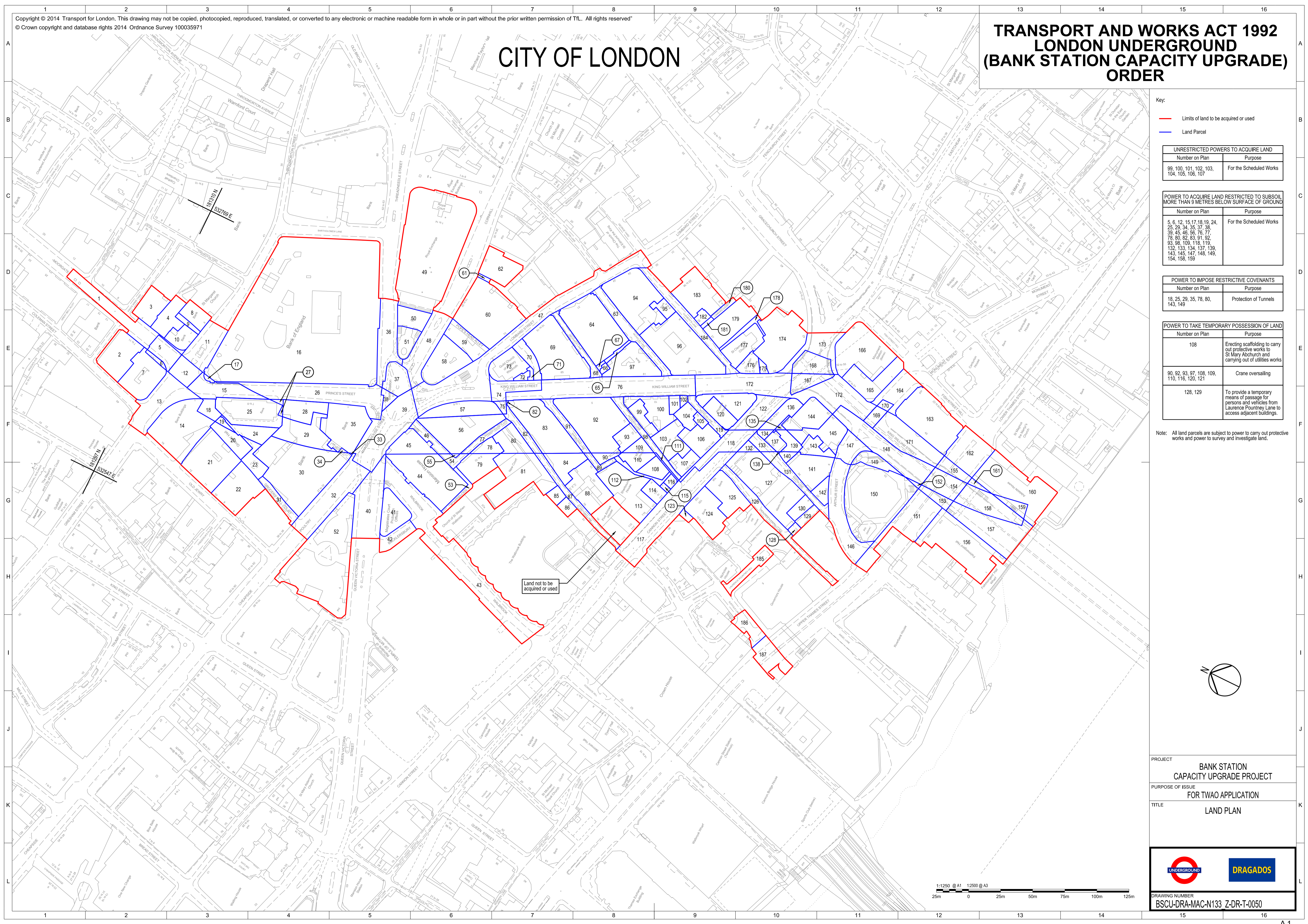
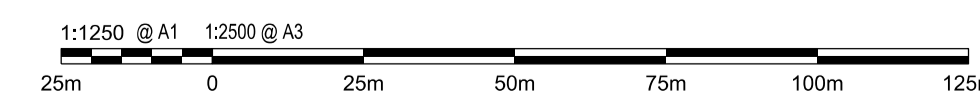
PROJECT
**BANK STATION
 CAPACITY UPGRADE PROJECT**

PURPOSE OF ISSUE
FOR TWAO APPLICATION

TITLE
LAND PLAN



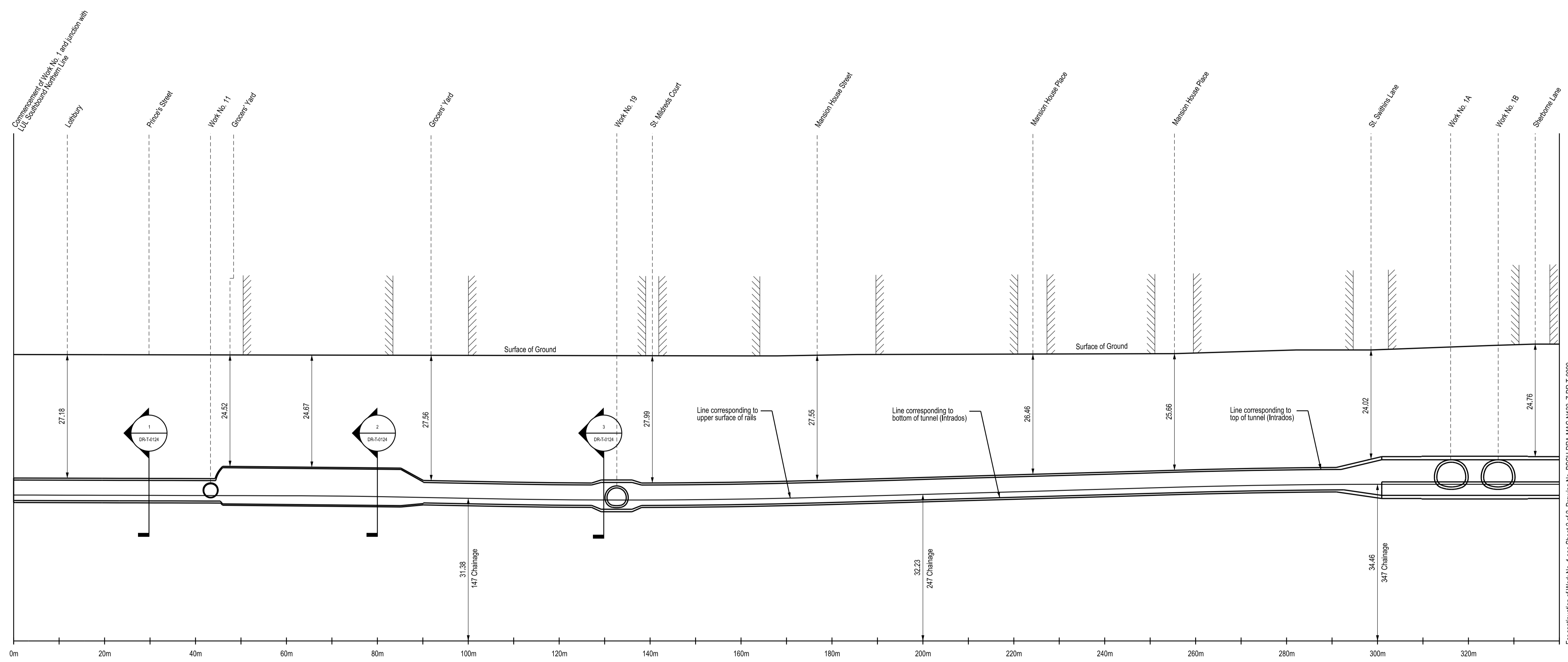
DRAWING NUMBER
BSCU-DRA-MAC-N133 Z-DR-T-0050



Land not to be acquired or used

TRANSPORT AND WORKS ACT 1992 LONDON UNDERGROUND (BANK STATION CAPACITY UPGRADE) ORDER

Key:
 Existing Building Facade



DATUM LINE FOR SECTION IS 50.0 METRES BELOW ORDNANCE DATUM

WORK NO. 1 (RAILWAY)

For continuation of Work No. 1 see Sheet 2 of 2, Drawing No. BSCU-DRA-MAC-N133_Z-DR-T-0009

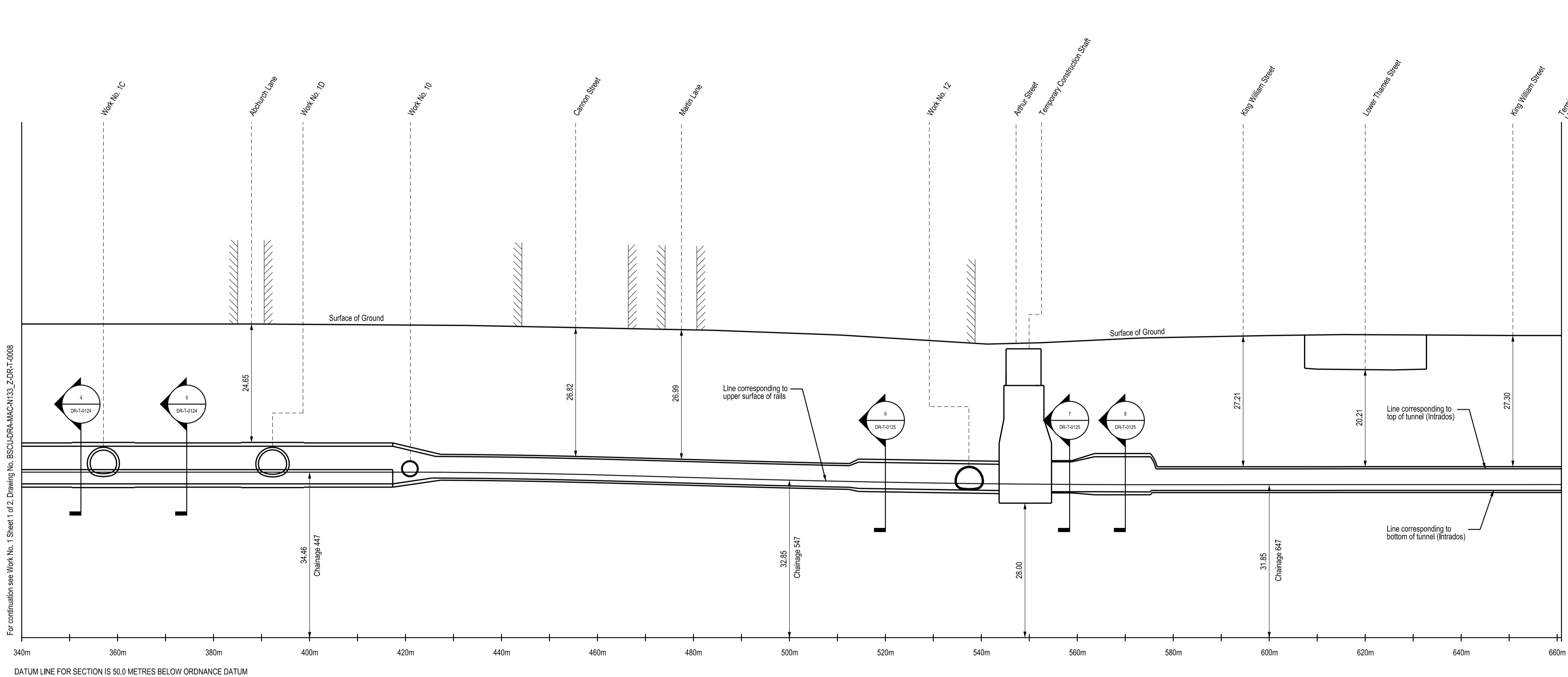
PROJECT	BANK STATION CAPACITY UPGRADE PROJECT
PURPOSE OF ISSUE	FOR TWAO APPLICATION
TITLE	LONGITUDINAL SECTION WORK NO. 1 SHEET 1 OF 2



DRAWING NUMBER
 BSCU-DRA-MAC-N133 Z-DR-T-0008

TRANSPORT AND WORKS ACT 1992 LONDON UNDERGROUND (BANK STATION CAPACITY UPGRADE) ORDER

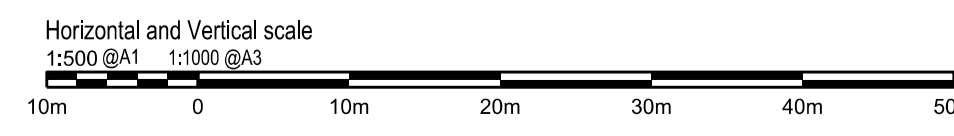
Key:
 Existing Building Facade





WORK NO. 1 (RAILWAY)

For continuation see Work No. 1 Sheet 1 of 2, Drawing No. BSCU-DR-MAC-N133_Z-DR-T-0008

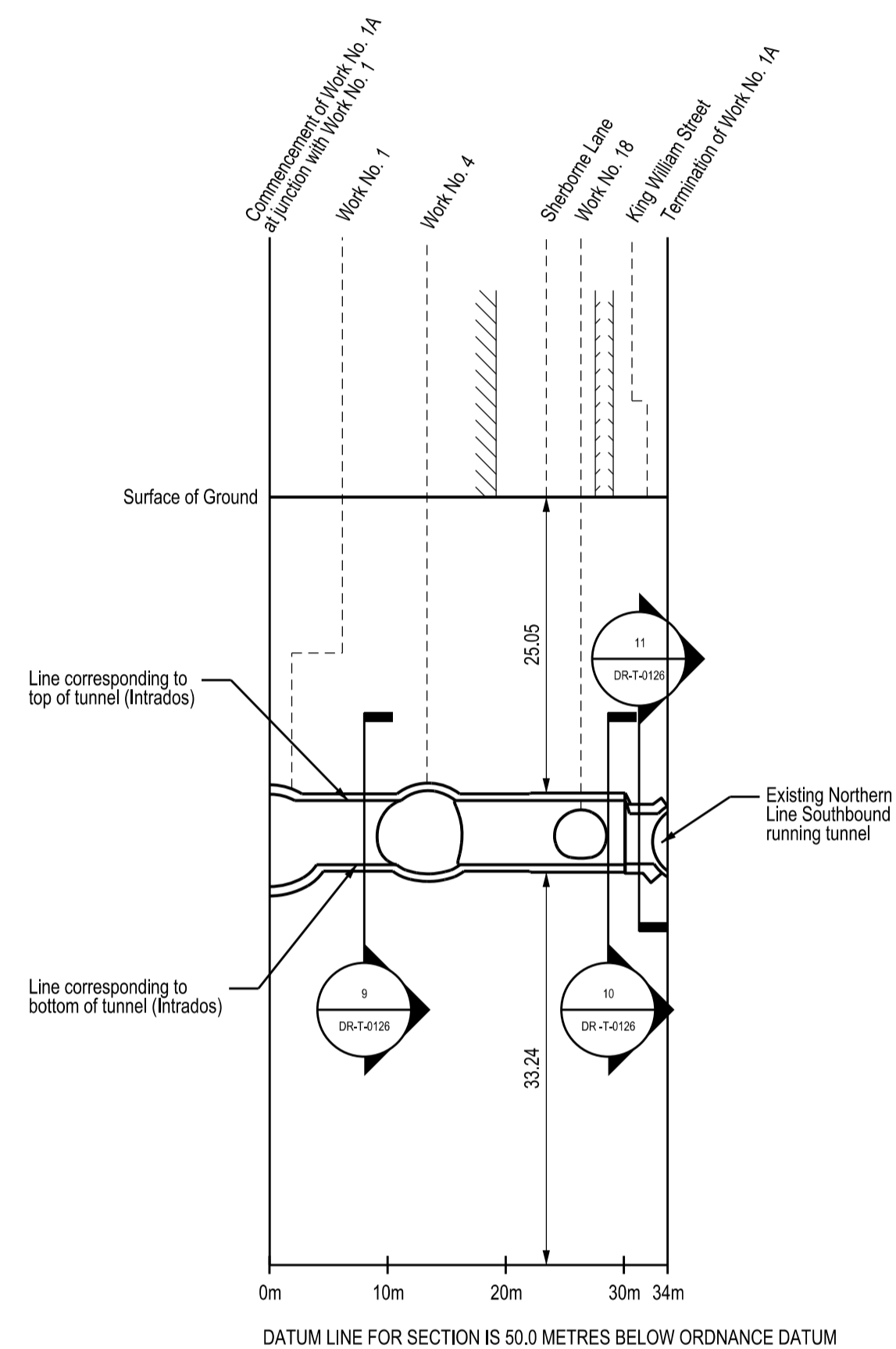
DATUM LINE FOR SECTION IS 50.0 METRES BELOW ORDNANCE DATUM



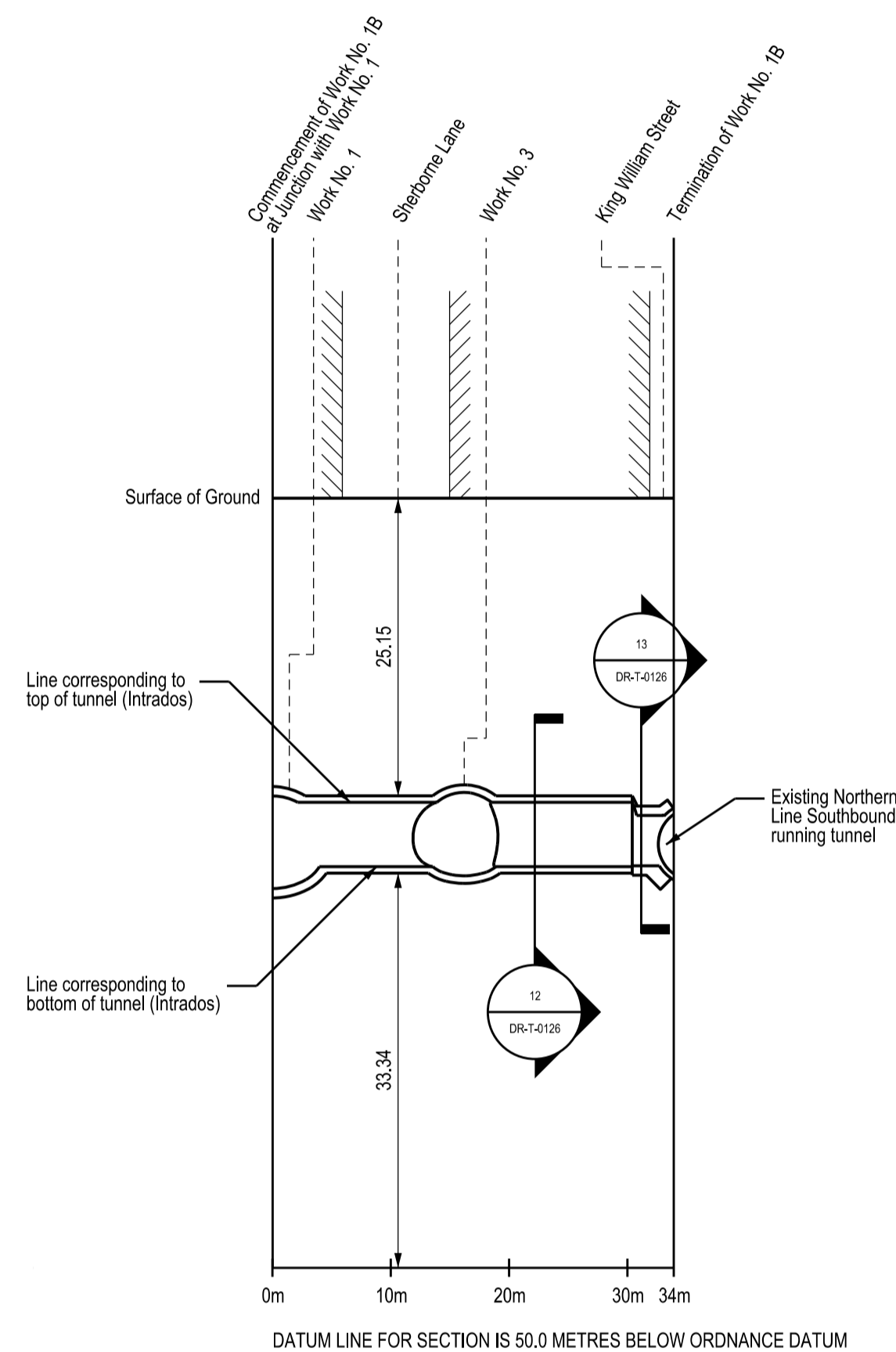
PROJECT	BANK STATION CAPACITY UPGRADE PROJECT
PURPOSE OF ISSUE	FOR TWAO APPLICATION
TITLE	LONGITUDINAL SECTION WORK NO. 1 SHEET 2 OF 2
 	
DRAWING NUMBER	BSCU-DR-MAC-N133 Z-DR-T-0009

TRANSPORT AND WORKS ACT 1992 LONDON UNDERGROUND (BANK STATION CAPACITY UPGRADE) ORDER

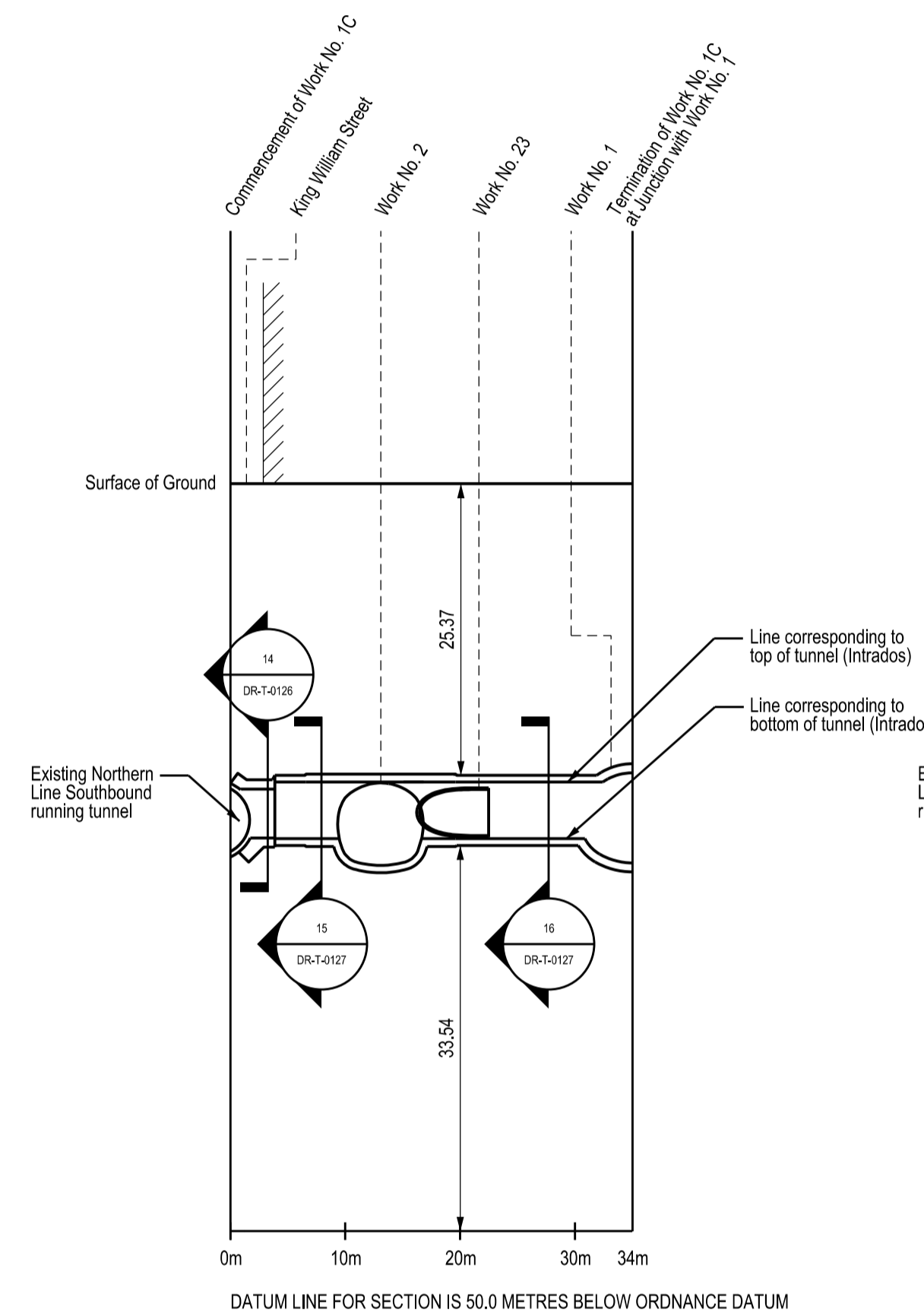
Key:
 Existing Building Facade



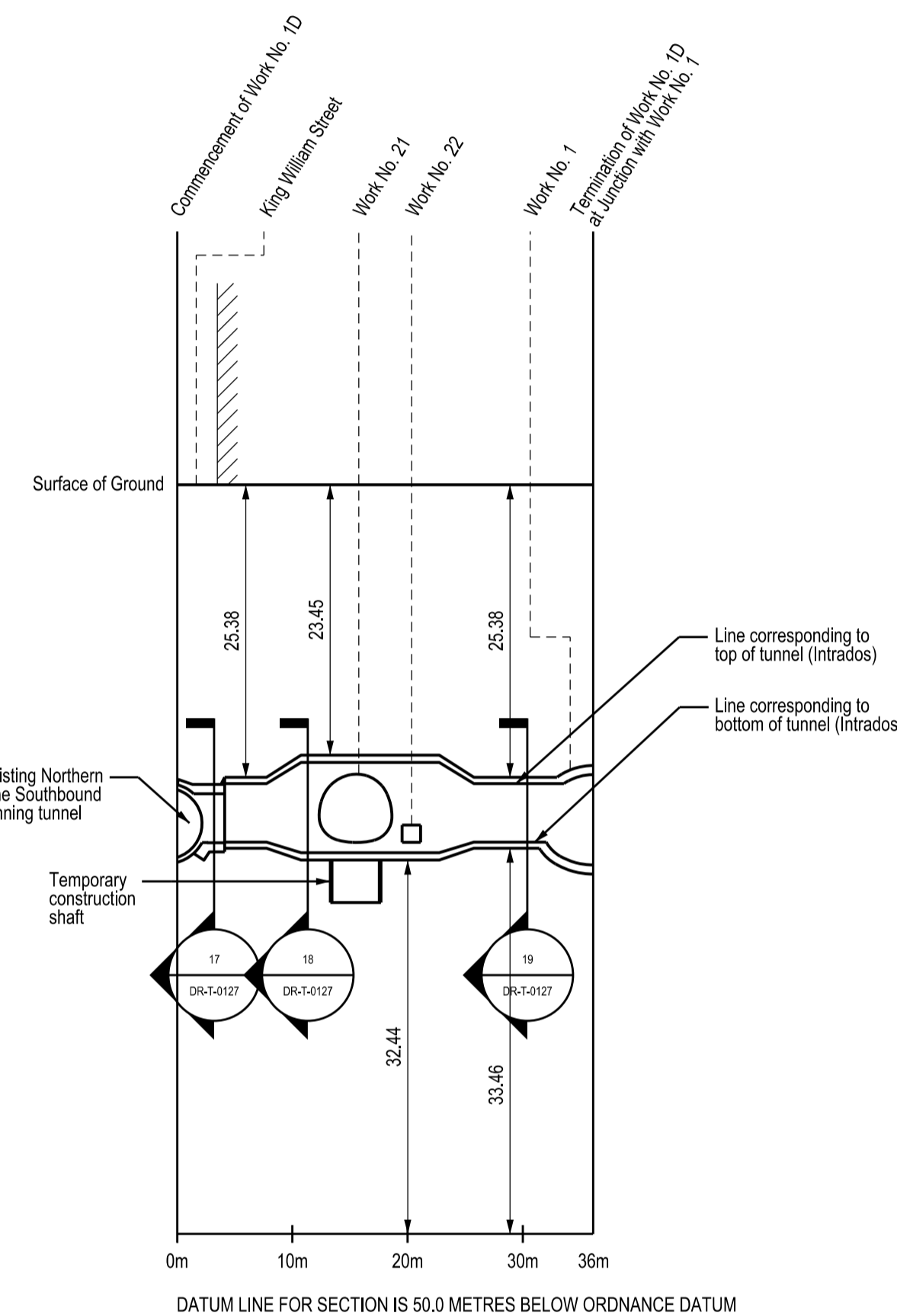
WORK NO. 1A
 (PASSENGER SUBWAY)



WORK NO. 1B
 (PASSENGER SUBWAY)



WORK NO. 1C
 (PASSENGER SUBWAY)



WORK NO. 1D
 (PASSENGER SUBWAY)



PROJECT
**BANK STATION
 CAPACITY UPGRADE PROJECT**

PURPOSE OF ISSUE
FOR TWAO APPLICATION

TITLE
**LONGITUDINAL SECTION
 WORK NO. 1A, 1B, 1C & 1D**

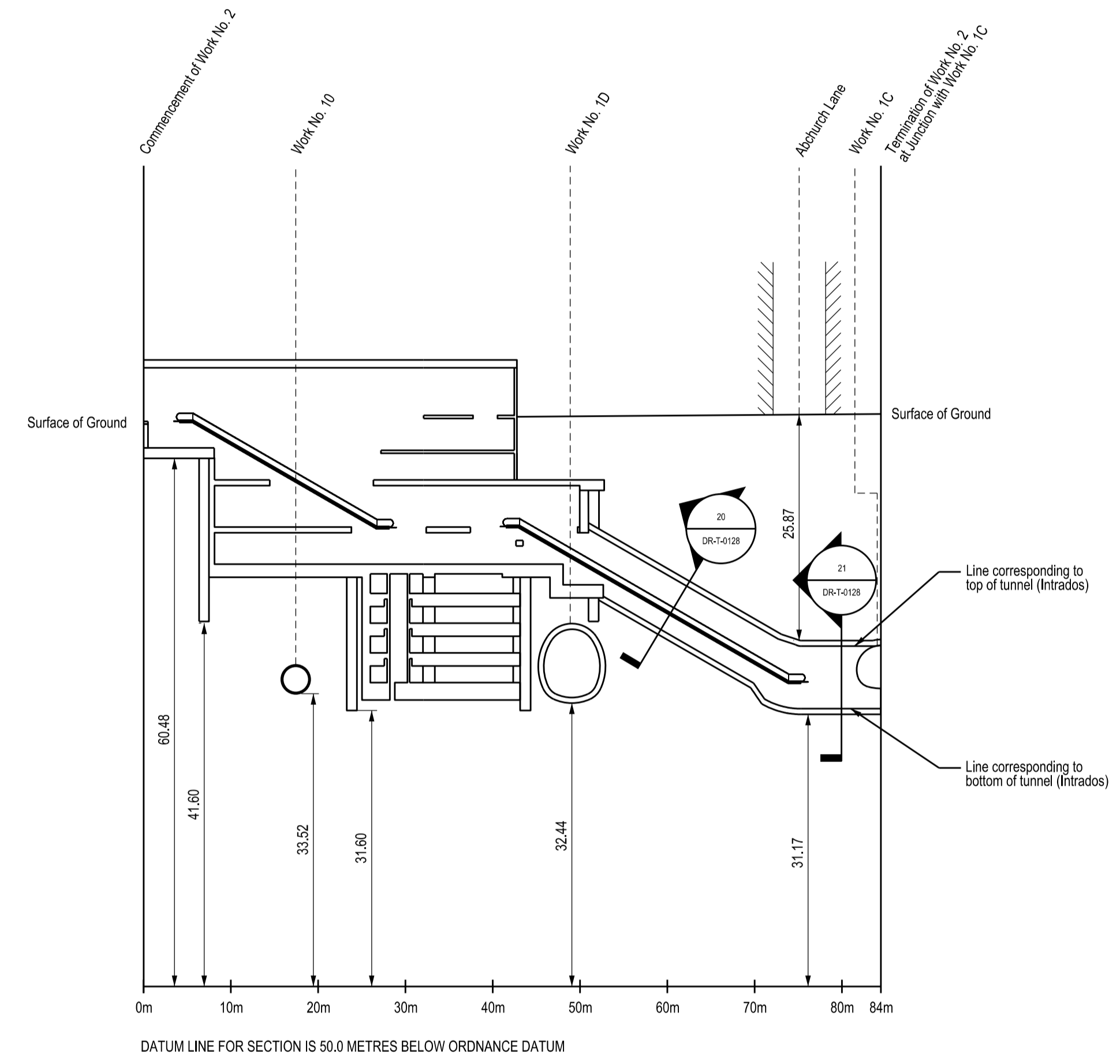


DRAWING NUMBER
BSCU-DR-MAC-N133 Z-DR-T-0012

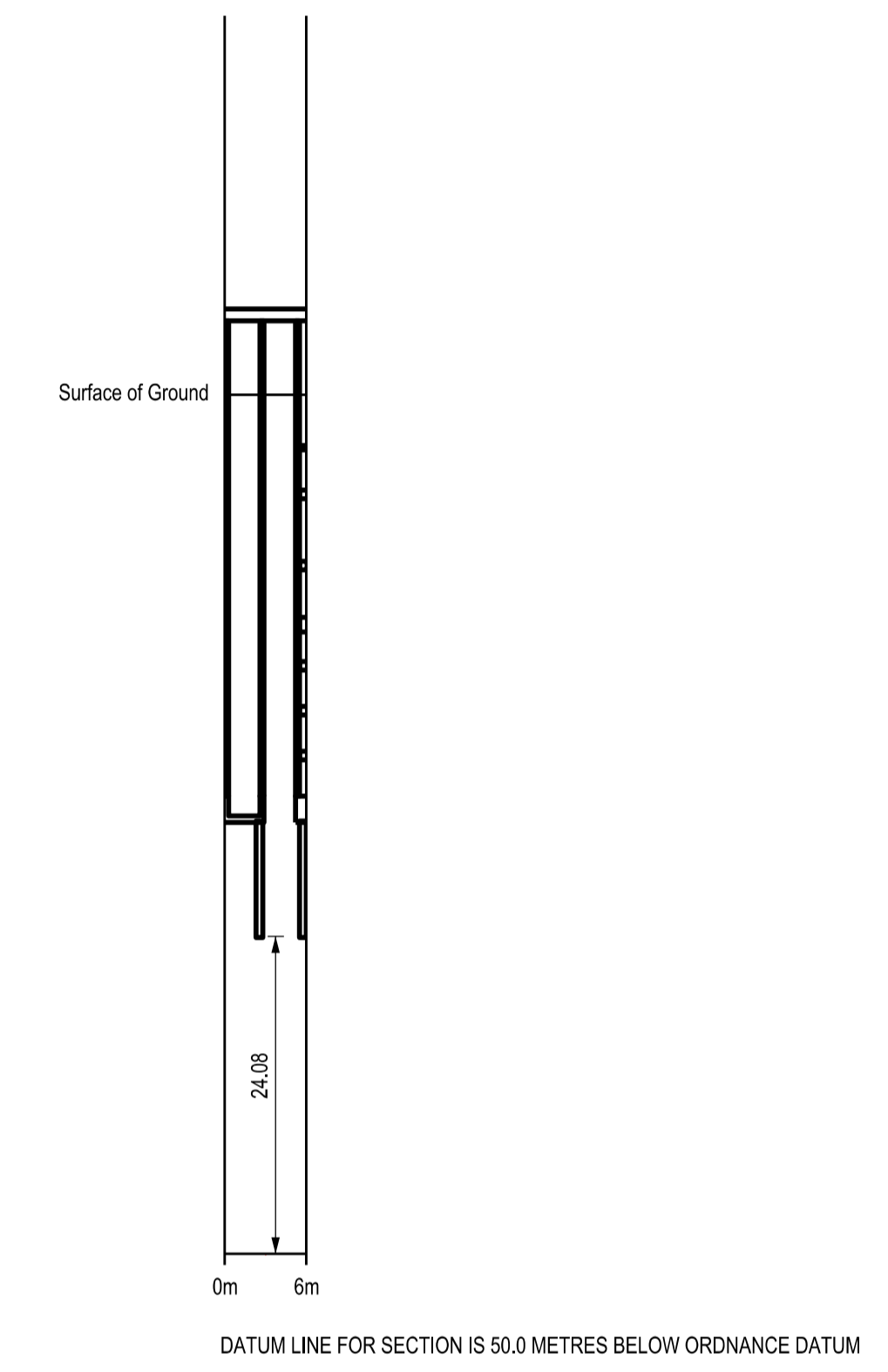
TRANSPORT AND WORKS ACT 1992 LONDON UNDERGROUND (BANK STATION CAPACITY UPGRADE) ORDER

Key:
 Existing Building Facade

Station Entrance Hall & Proposed Lift Shaft





WORK NO. 2



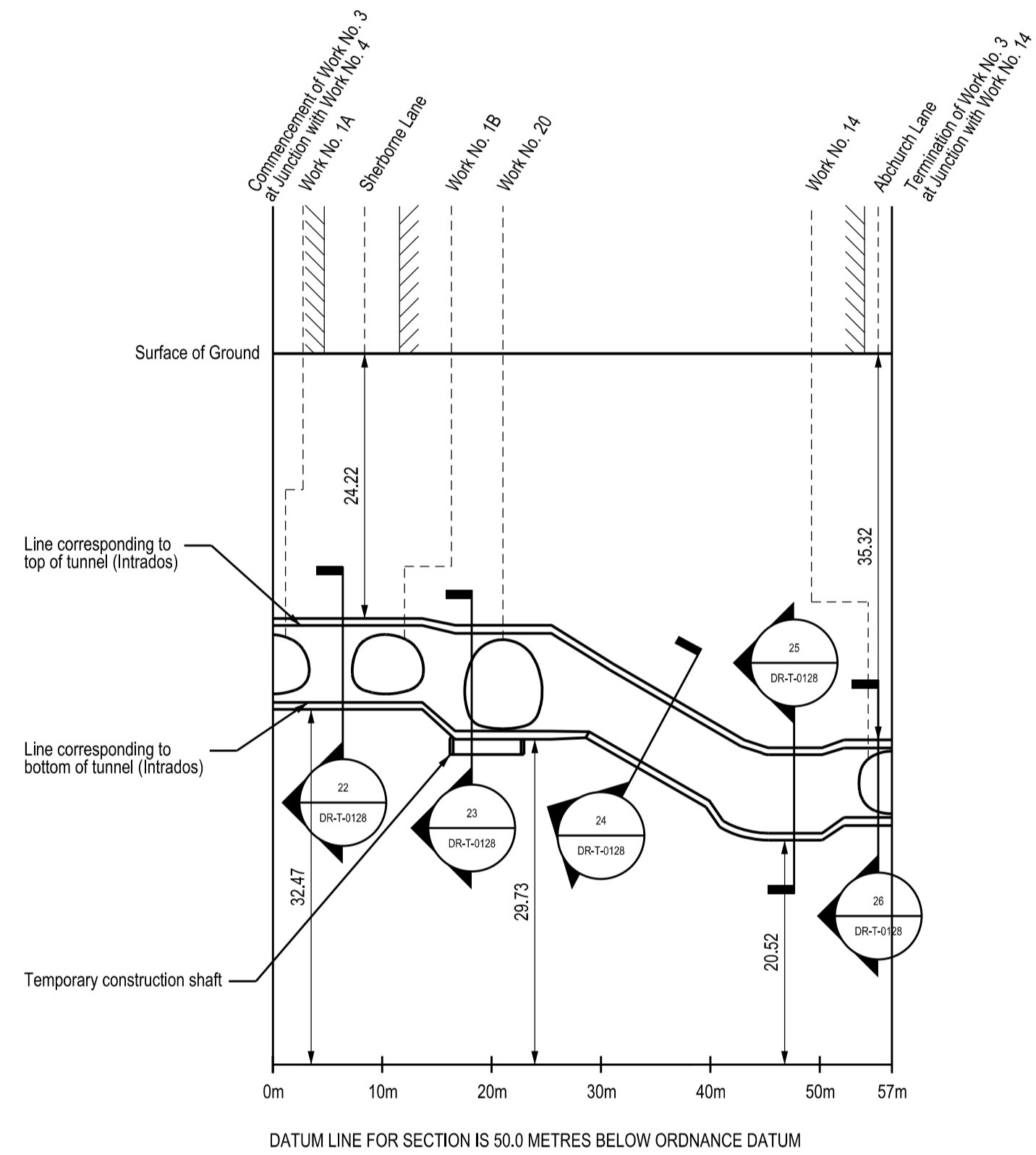
PROPOSED LIFT SHAFT



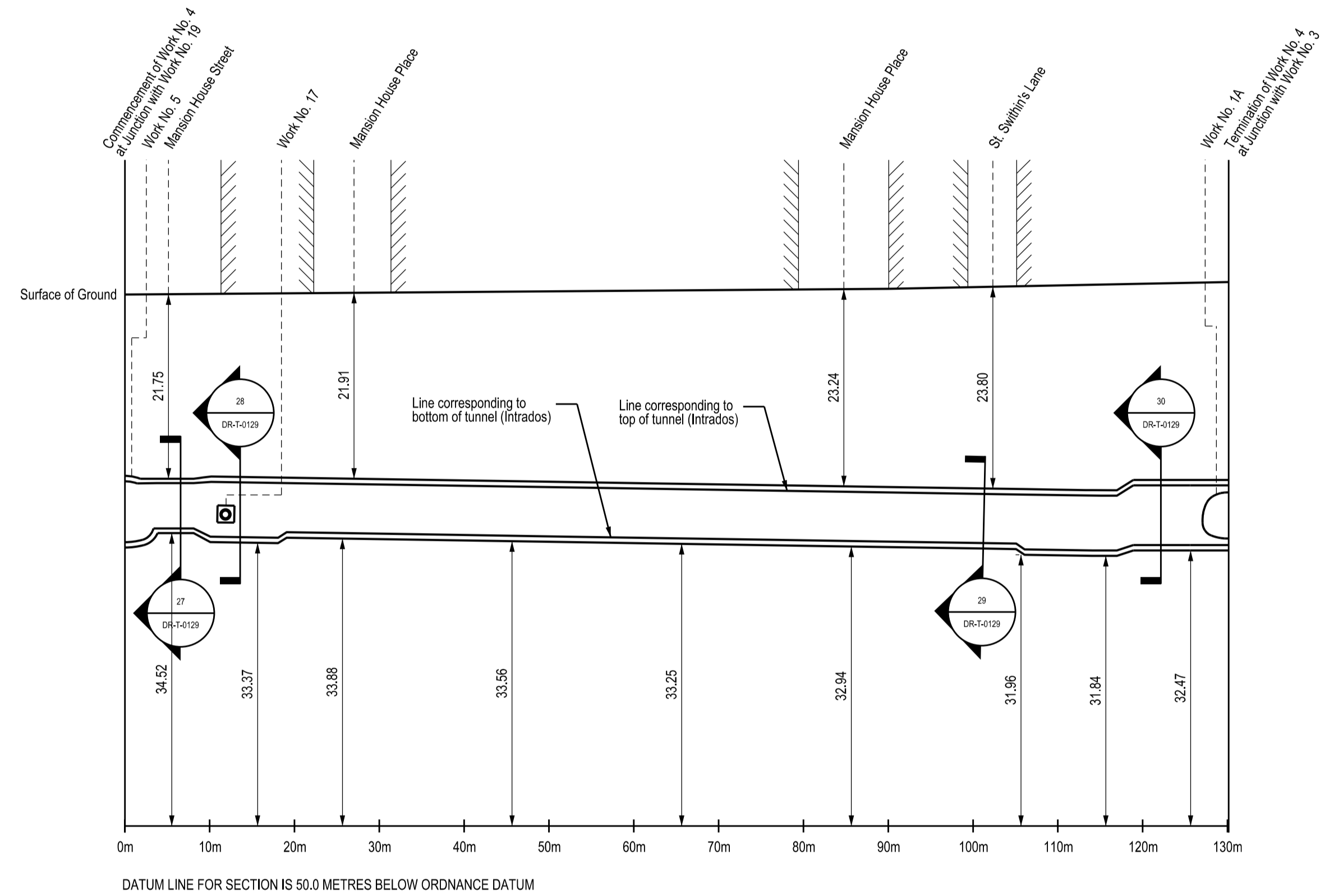
PROJECT	BANK STATION CAPACITY UPGRADE PROJECT
PURPOSE OF ISSUE	FOR TWAO APPLICATION
TITLE	LONGITUDINAL SECTION WORK NO. 2
 	
DRAWING NUMBER	BSCU-DRA-MAC-N133 Z-DR-T-0016

TRANSPORT AND WORKS ACT 1992 LONDON UNDERGROUND (BANK STATION CAPACITY UPGRADE) ORDER

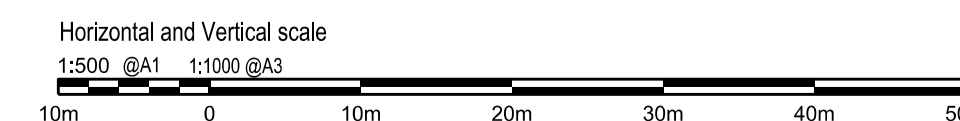
Key:
 Existing Building Facade



WORK NO. 3



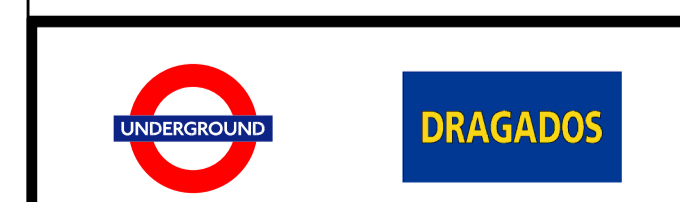
WORK NO. 4



PROJECT
**BANK STATION
 CAPACITY UPGRADE PROJECT**

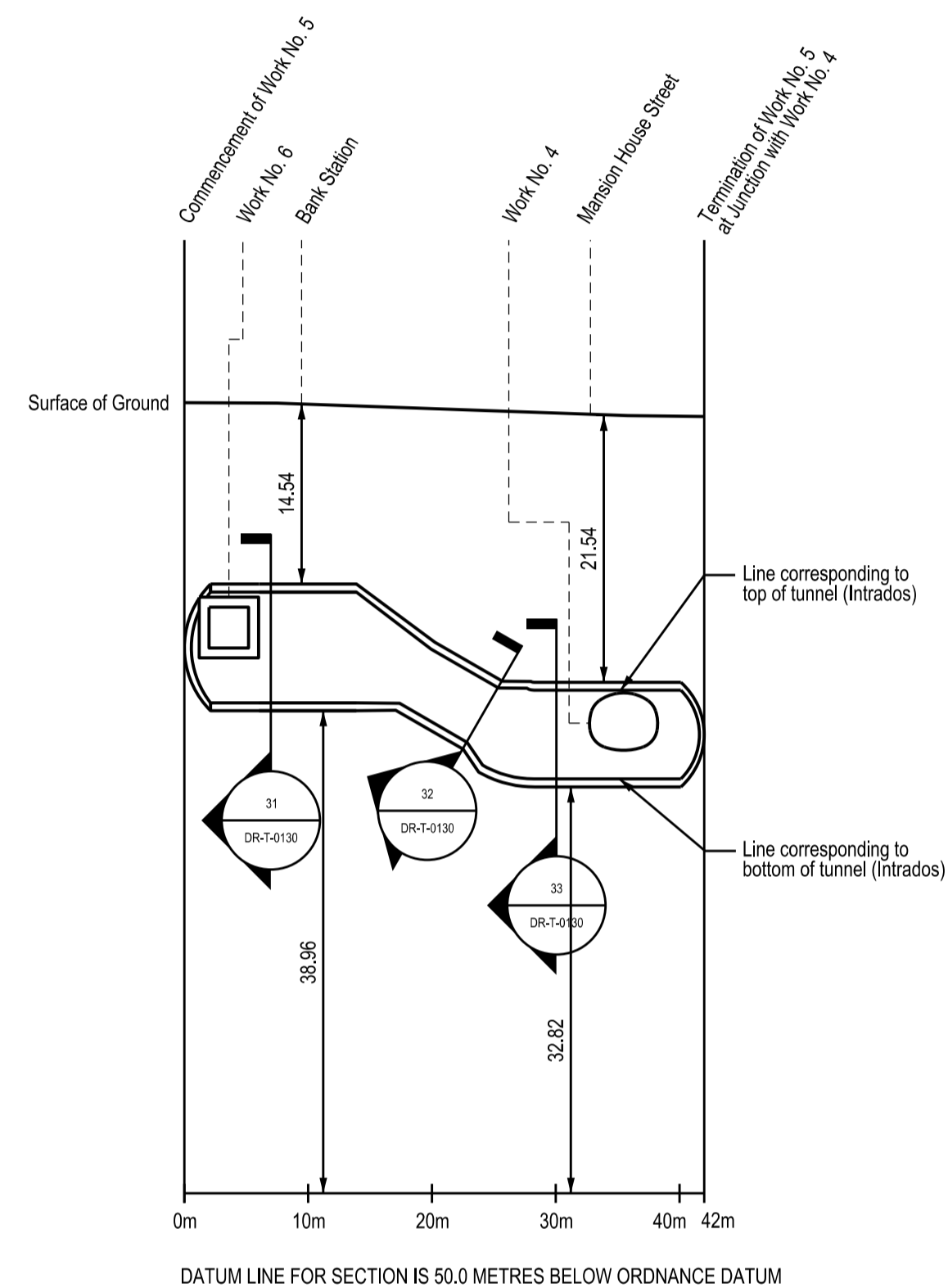
PURPOSE OF ISSUE
FOR TWAO APPLICATION

TITLE
**LONGITUDINAL SECTION
 WORK NO. 3 & 4**

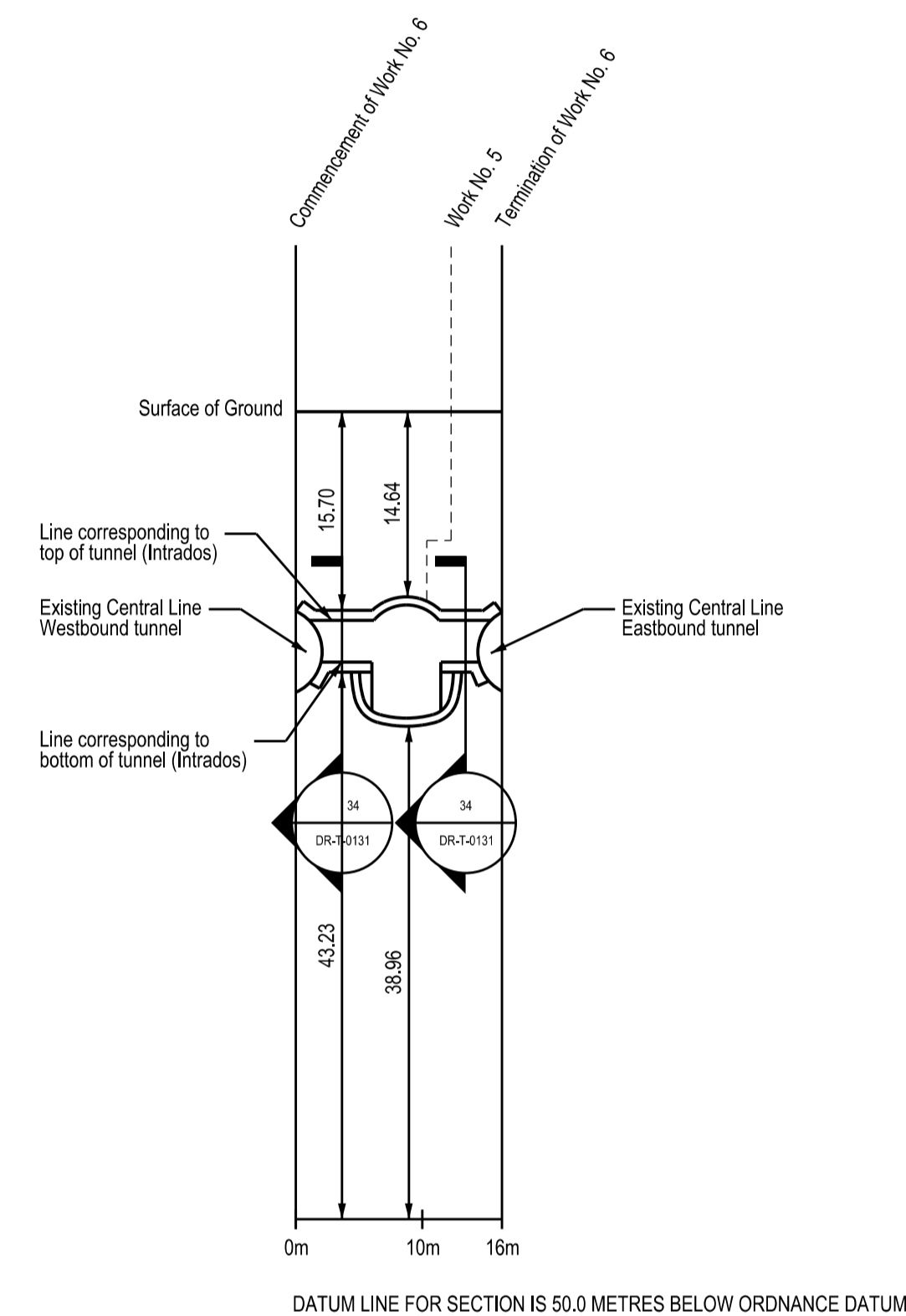


DRAWING NUMBER
BSCU-DR-MAC-N133 Z-DR-T-0018

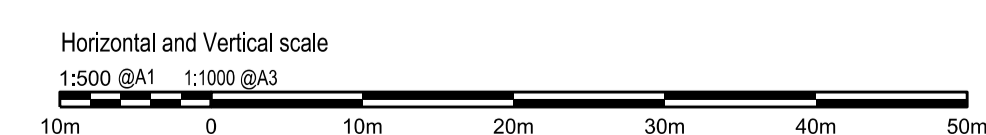
**TRANSPORT AND WORKS ACT 1992
 LONDON UNDERGROUND
 (BANK STATION CAPACITY UPGRADE)
 ORDER**





WORK NO. 5



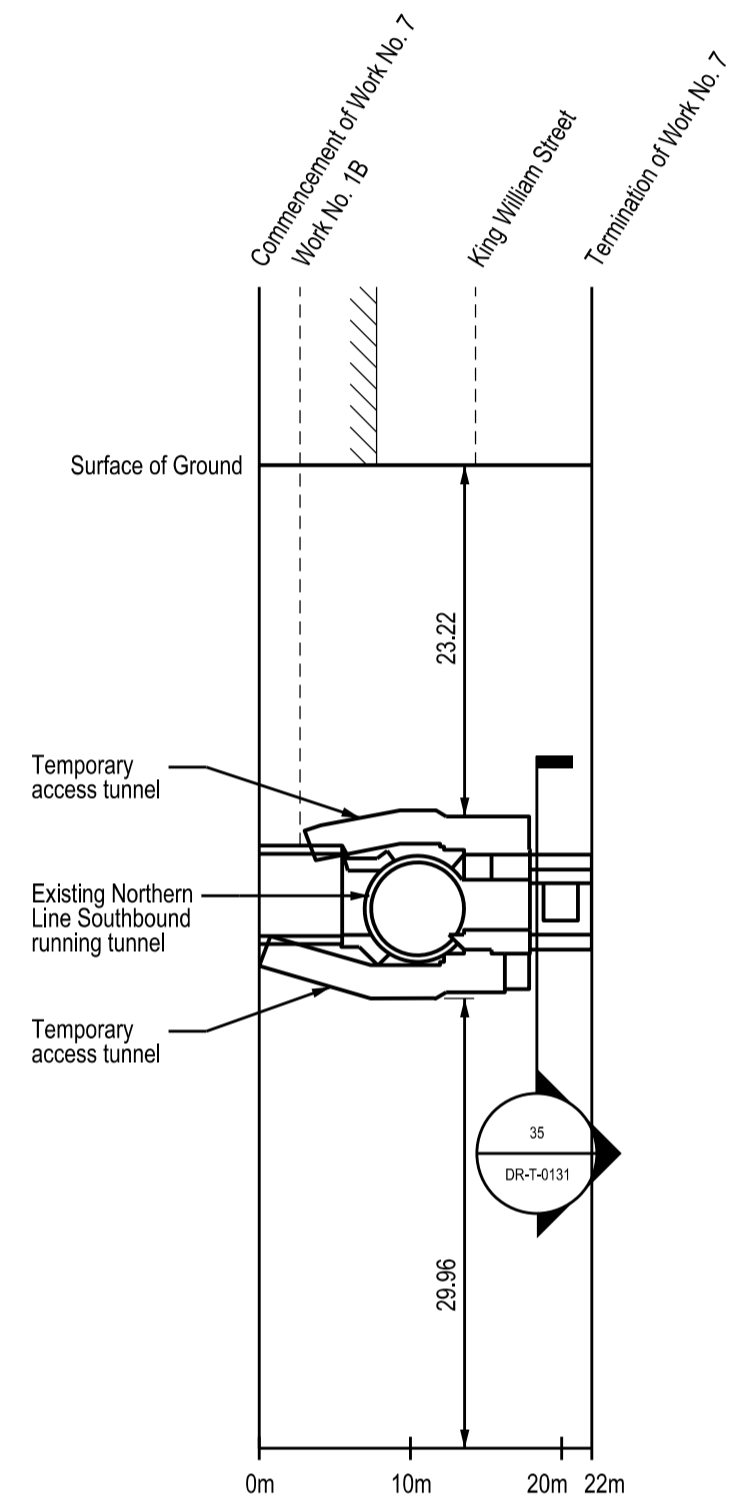
WORK NO. 6



PROJECT	BANK STATION CAPACITY UPGRADE PROJECT
PURPOSE OF ISSUE	FOR TWAO APPLICATION
TITLE	LONGITUDINAL SECTION WORK NO. 5 & 6
 	
DRAWING NUMBER	BSCU-DRA-MAC-N133 Z-DR-T-0019

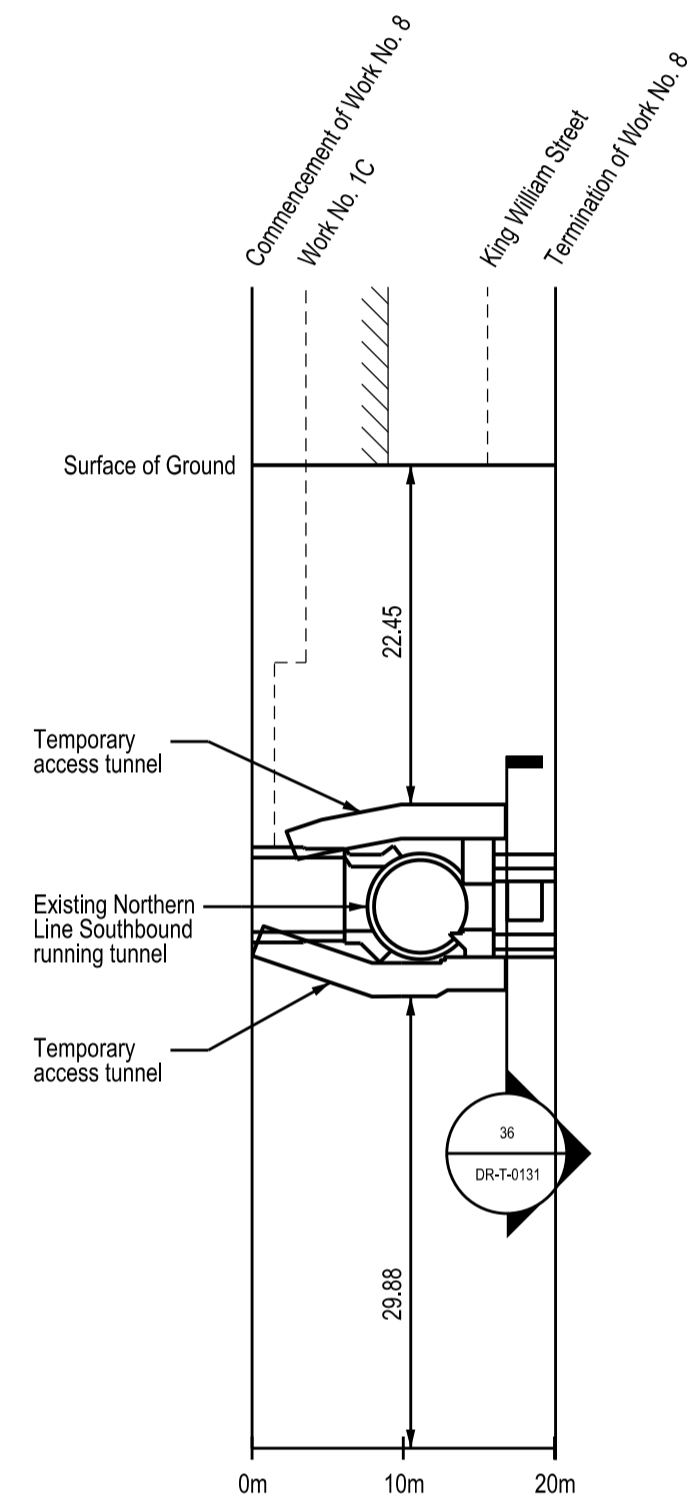
TRANSPORT AND WORKS ACT 1992 LONDON UNDERGROUND (BANK STATION CAPACITY UPGRADE) ORDER

Key:
 Existing Building Facade



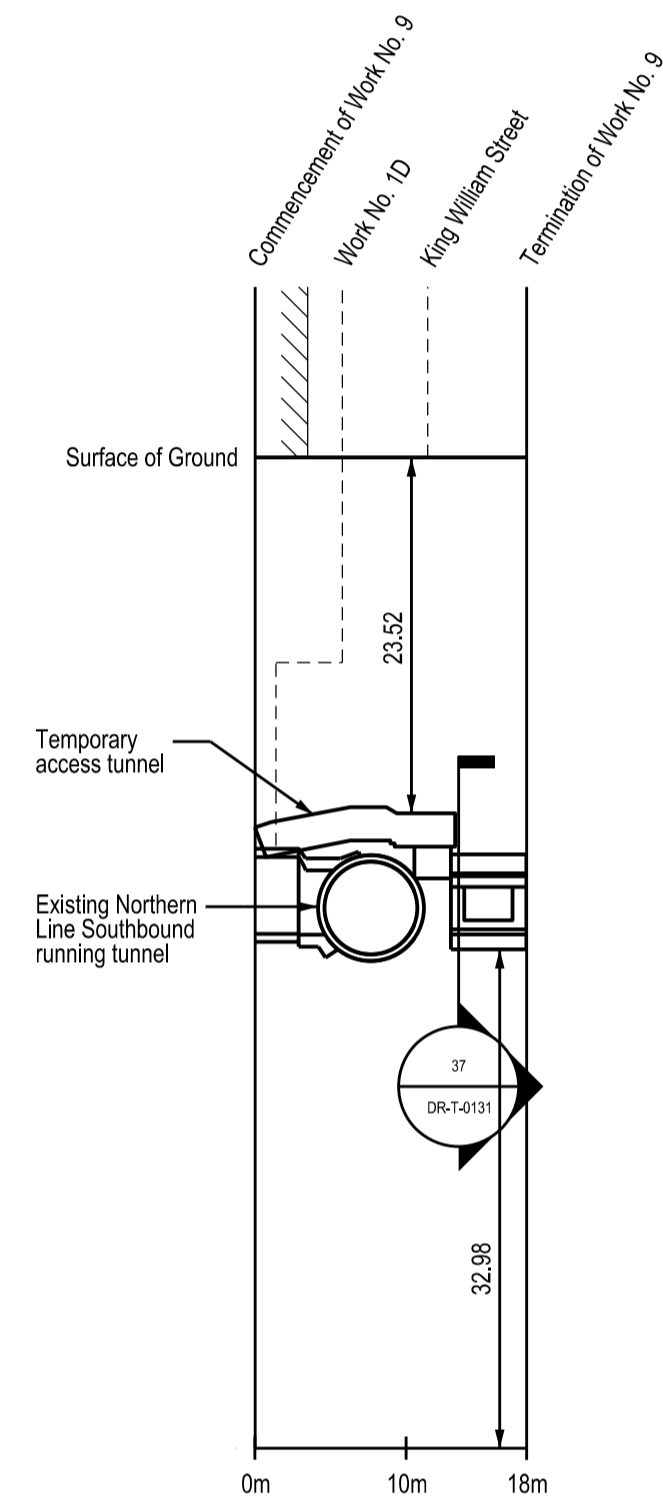
DATUM LINE FOR SECTION IS 50.0 METRES BELOW ORDNANCE DATUM

WORK NO. 7



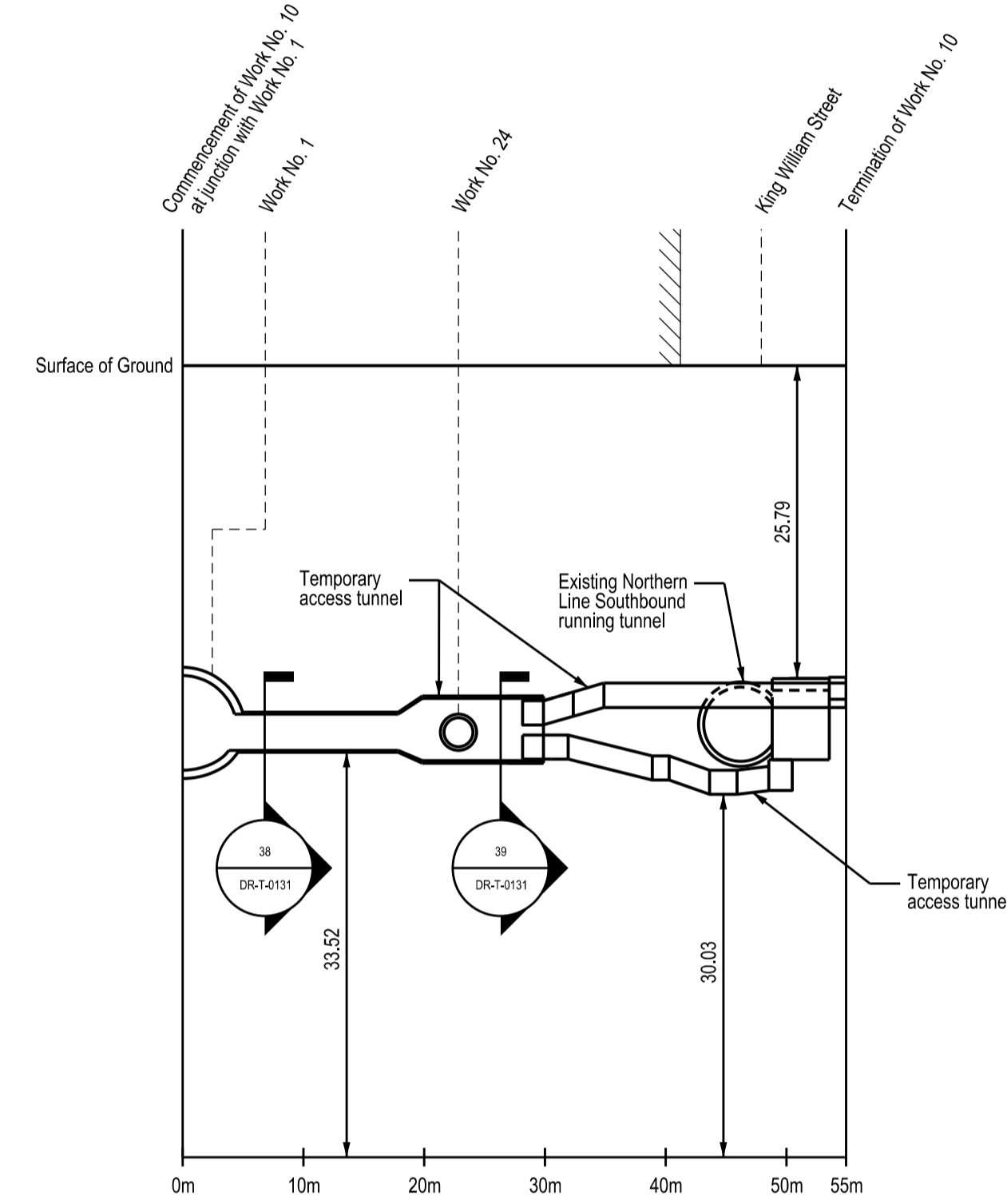
DATUM LINE FOR SECTION IS 50.0 METRES BELOW ORDNANCE DATUM

WORK NO. 8



DATUM LINE FOR SECTION IS 50.0 METRES BELOW ORDNANCE DATUM

WORK NO. 9



DATUM LINE FOR SECTION IS 50.0 METRES BELOW ORDNANCE DATUM

WORK NO. 10



PROJECT
**BANK STATION
 CAPACITY UPGRADE PROJECT**

PURPOSE OF ISSUE
FOR TWAO APPLICATION

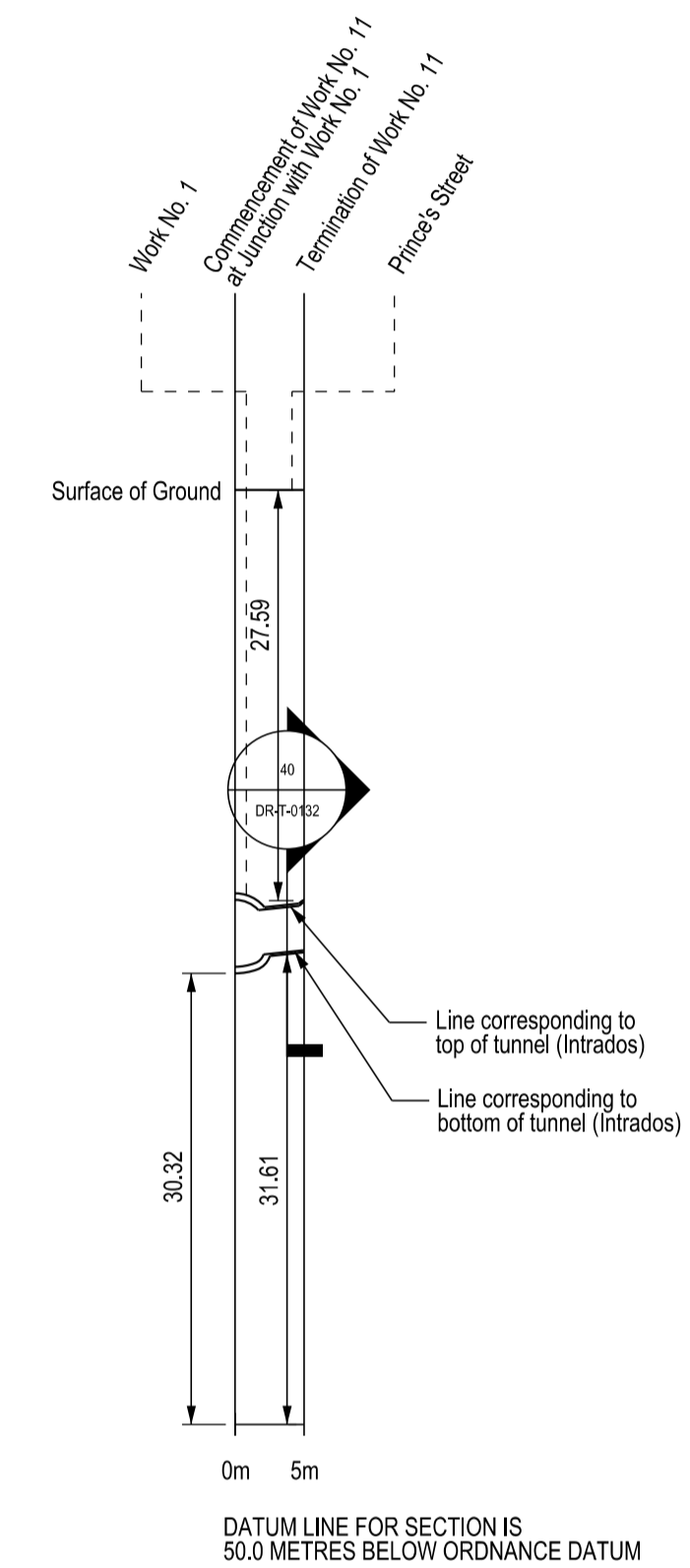
TITLE
**LONGITUDINAL SECTION
 WORK NO. 7, 8, 9 & 10**



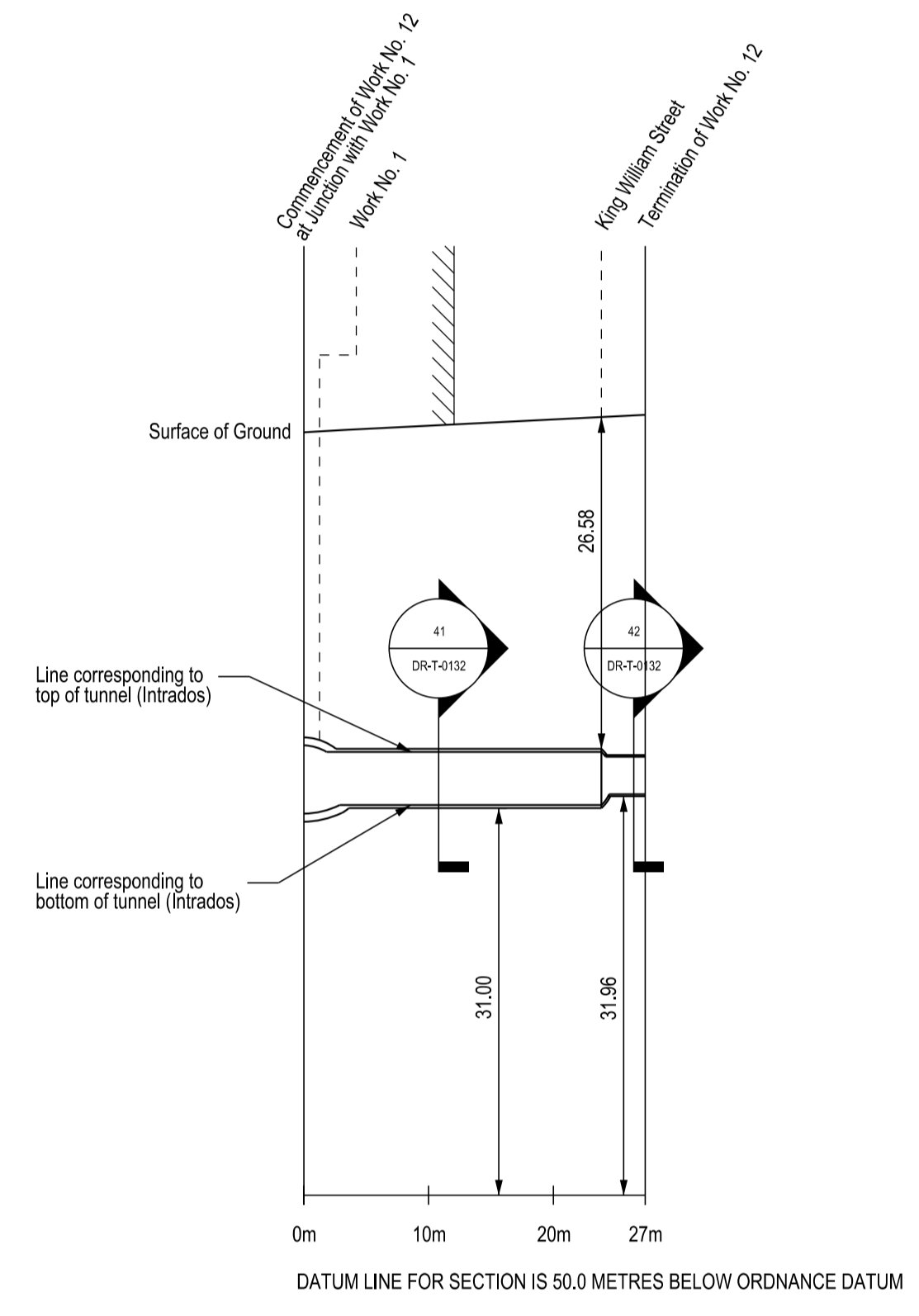
DRAWING NUMBER
BSCU-DRA-MAC-N133 Z-DR-T-0021

TRANSPORT AND WORKS ACT 1992 LONDON UNDERGROUND (BANK STATION CAPACITY UPGRADE) ORDER

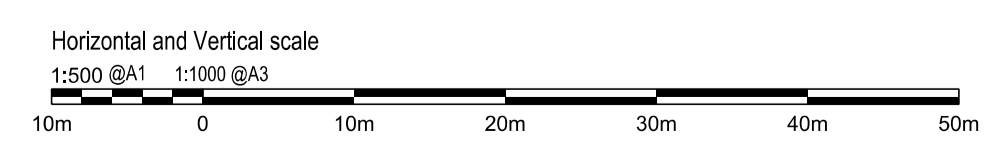
Key:
 Existing Building Facade





WORK NO. 11



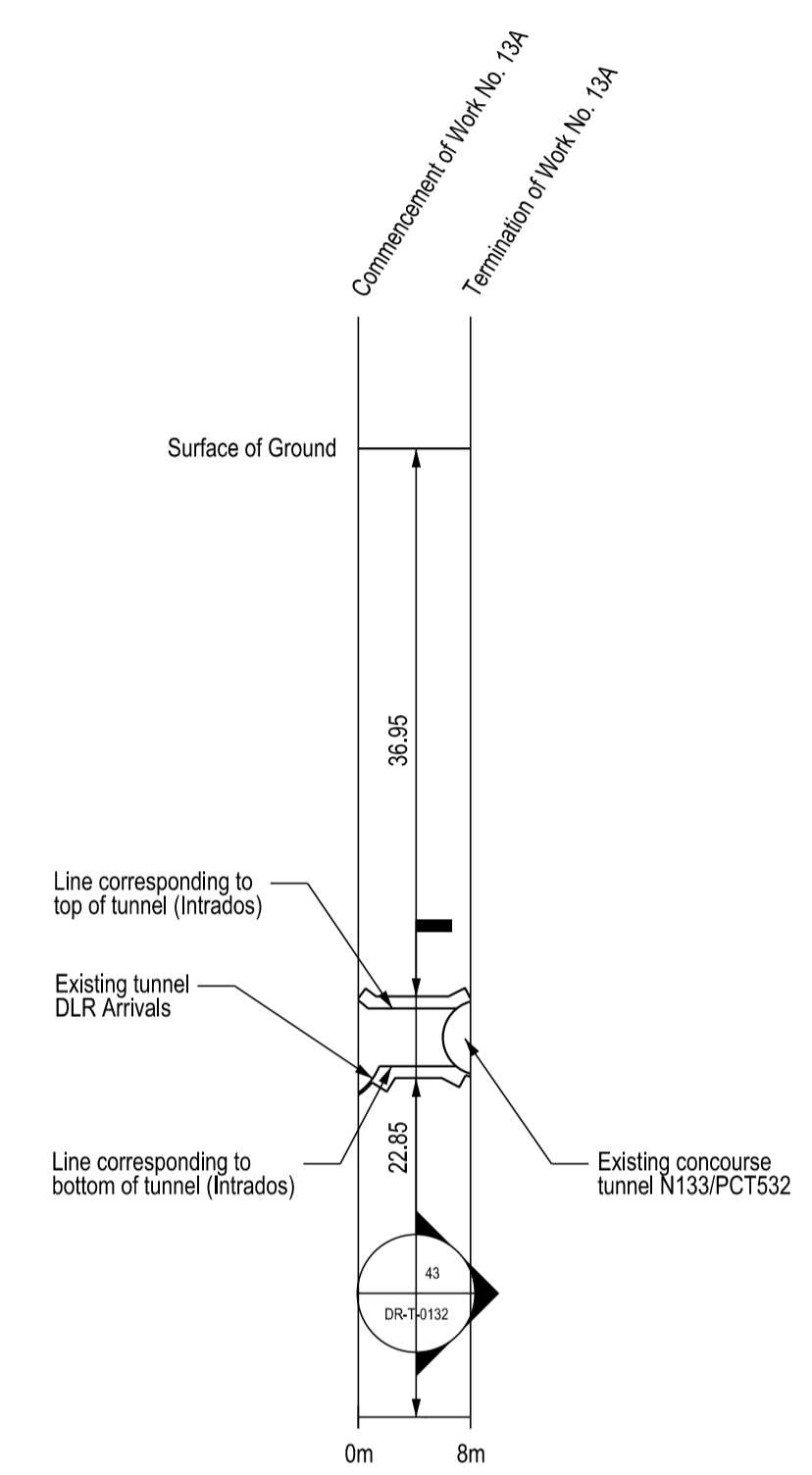
WORK NO. 12



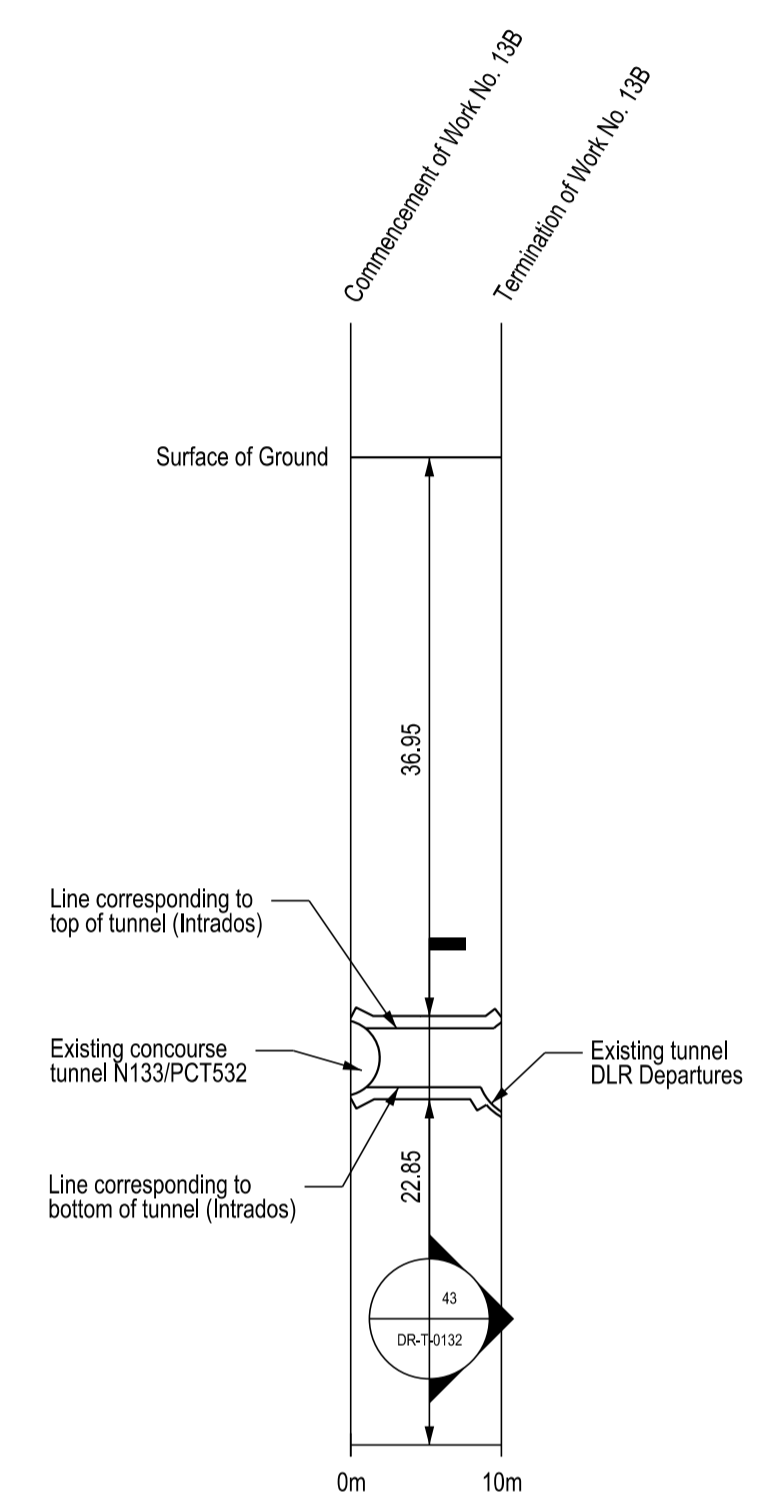
PROJECT	BANK STATION CAPACITY UPGRADE PROJECT
PURPOSE OF ISSUE	FOR TWAO APPLICATION
TITLE	LONGITUDINAL SECTION WORK NO. 11 & 12
 	
DRAWING NUMBER	BSCU-DRA-MAC-N133 Z-DR-T-0025

TRANSPORT AND WORKS ACT 1992 LONDON UNDERGROUND (BANK STATION CAPACITY UPGRADE) ORDER

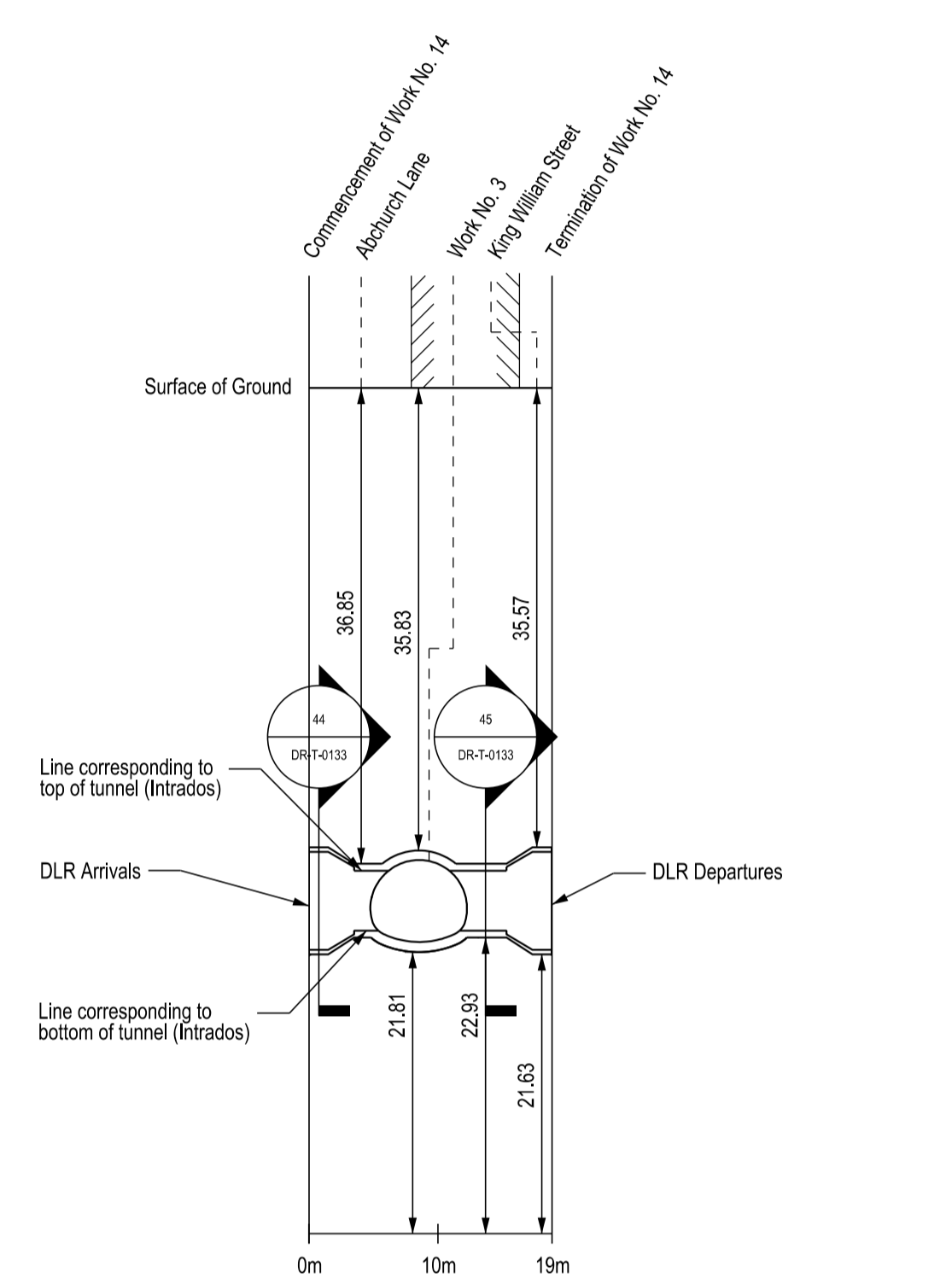
Key:
 Existing Building Facade



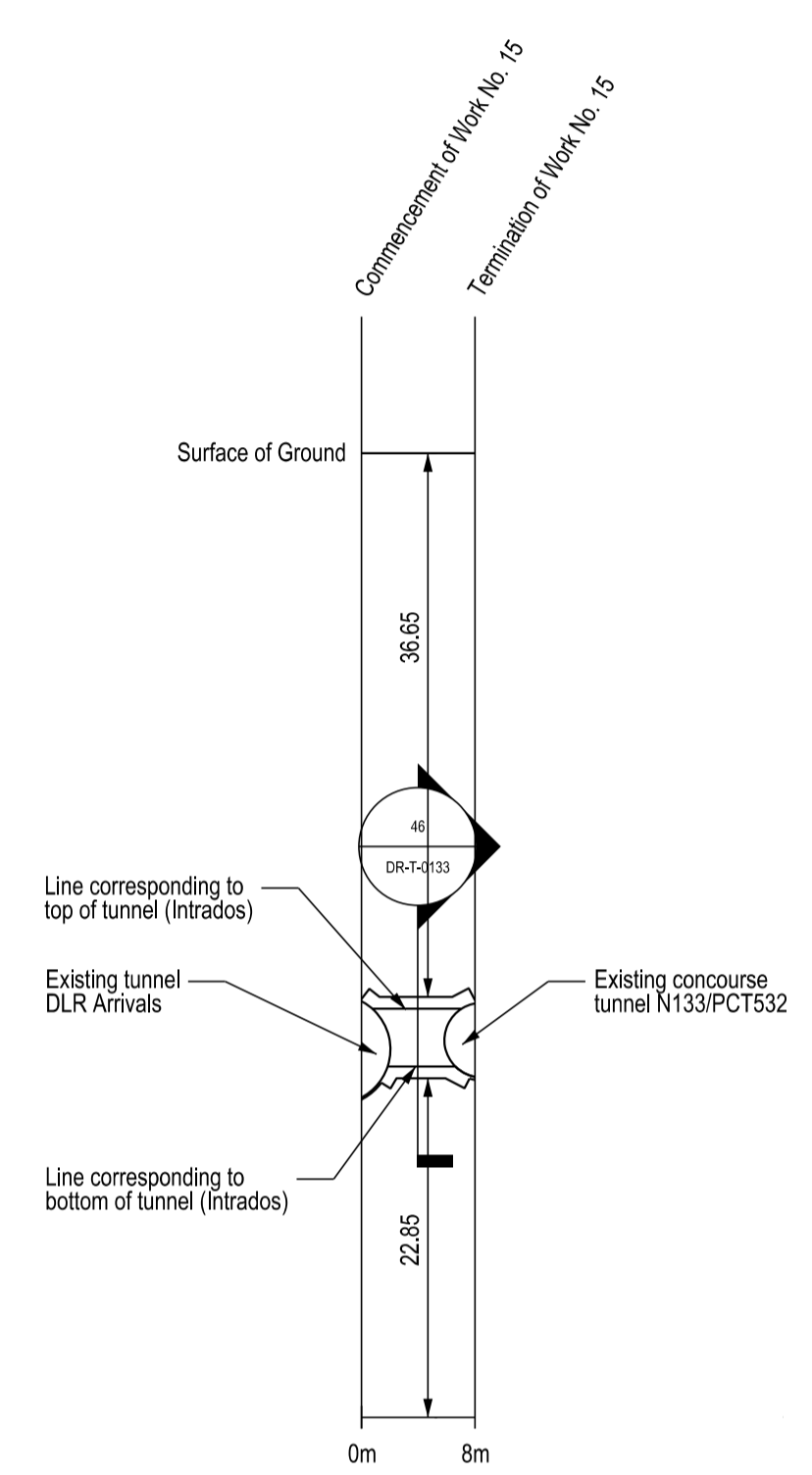
DATUM LINE FOR SECTION IS 50.0 METRES BELOW ORDNANCE DATUM
WORK NO. 13A



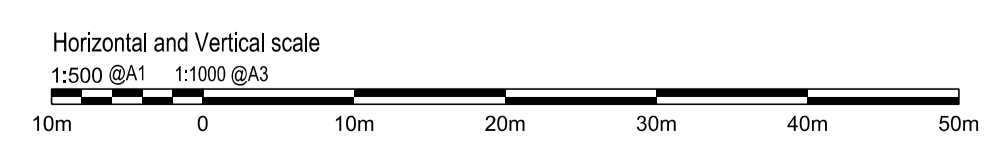
DATUM LINE FOR SECTION IS 50.0 METRES BELOW ORDNANCE DATUM
WORK NO. 13B



DATUM LINE FOR SECTION IS 50.0 METRES BELOW ORDNANCE DATUM
WORK NO. 14



DATUM LINE FOR SECTION IS 50.0 METRES BELOW ORDNANCE DATUM
WORK NO. 15



PROJECT
**BANK STATION
 CAPACITY UPGRADE PROJECT**

PURPOSE OF ISSUE
FOR TWAO APPLICATION

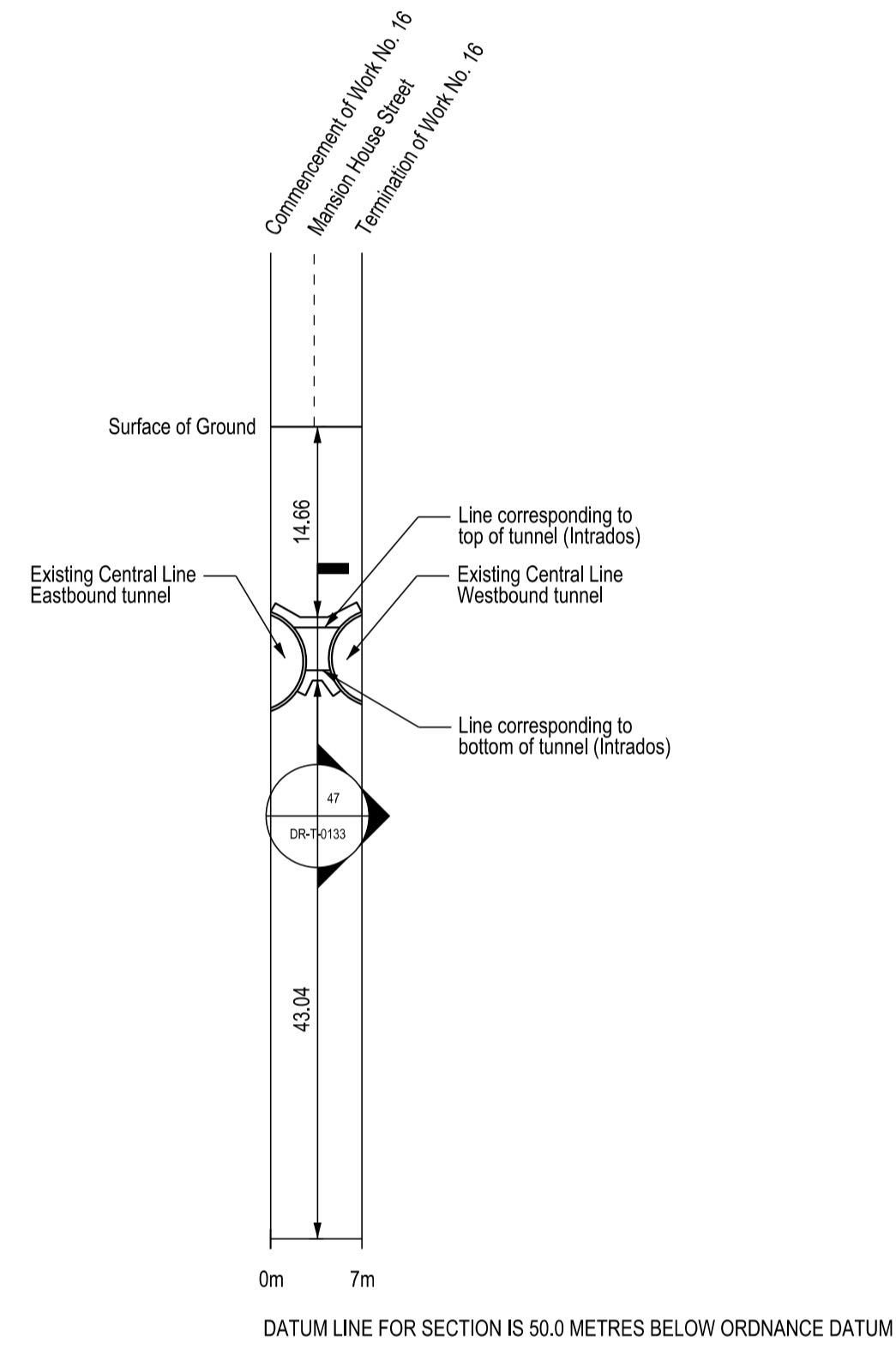
TITLE
**LONGITUDINAL SECTION
 WORK NO. 13, 14 & 15**



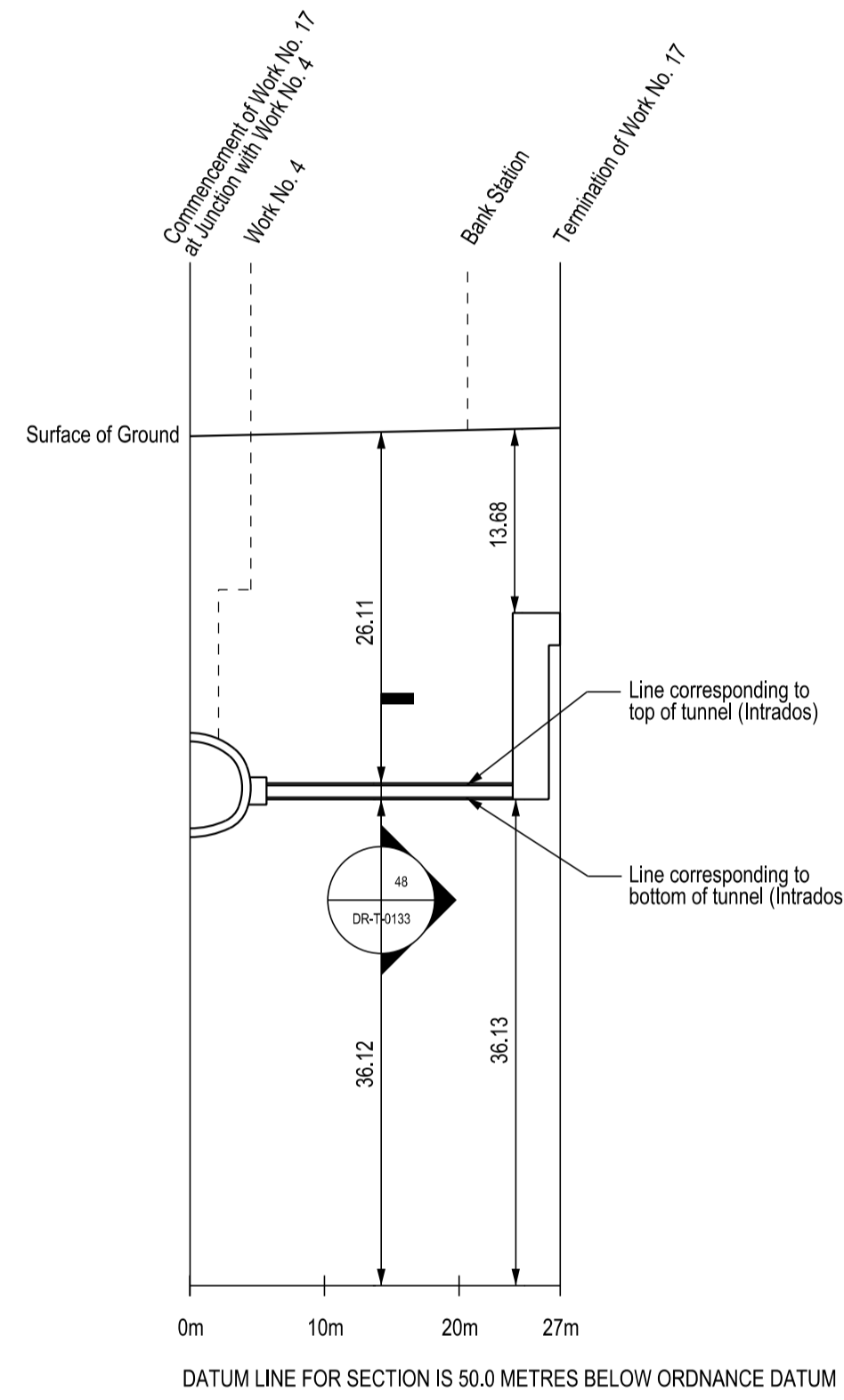
DRAWING NUMBER
BSCU-DRA-MAC-N133 Z-DR-T-0029

TRANSPORT AND WORKS ACT 1992 LONDON UNDERGROUND (BANK STATION CAPACITY UPGRADE) ORDER

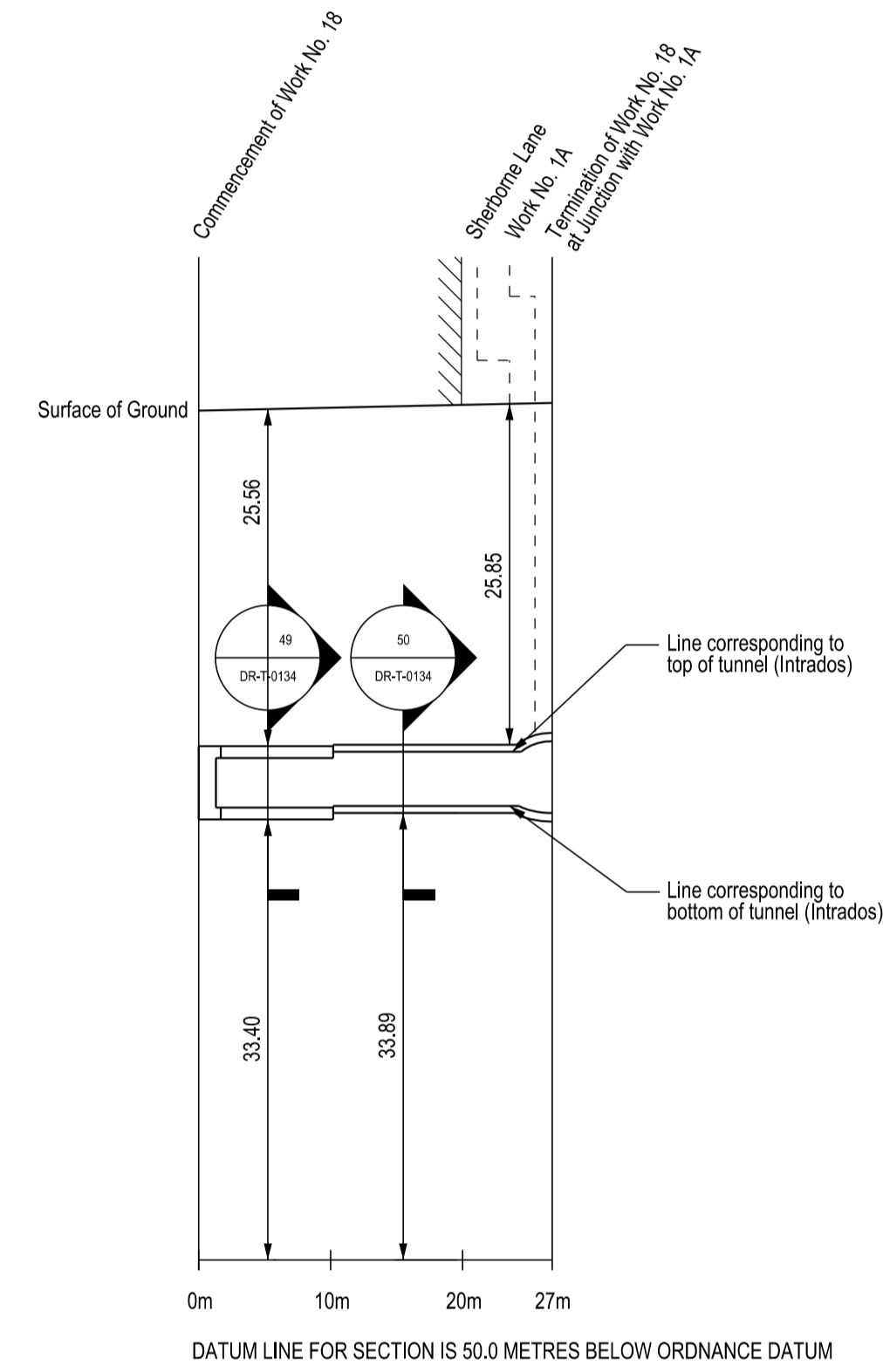
Key:
 Existing Building Facade



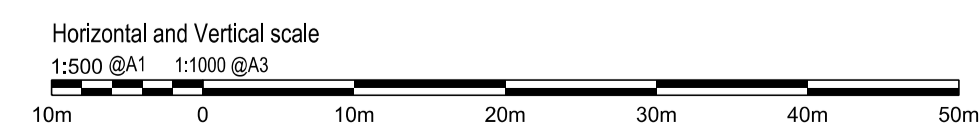
WORK NO. 16



WORK NO. 17



WORK NO. 18



PROJECT
**BANK STATION
 CAPACITY UPGRADE PROJECT**

PURPOSE OF ISSUE
FOR TWAO APPLICATION

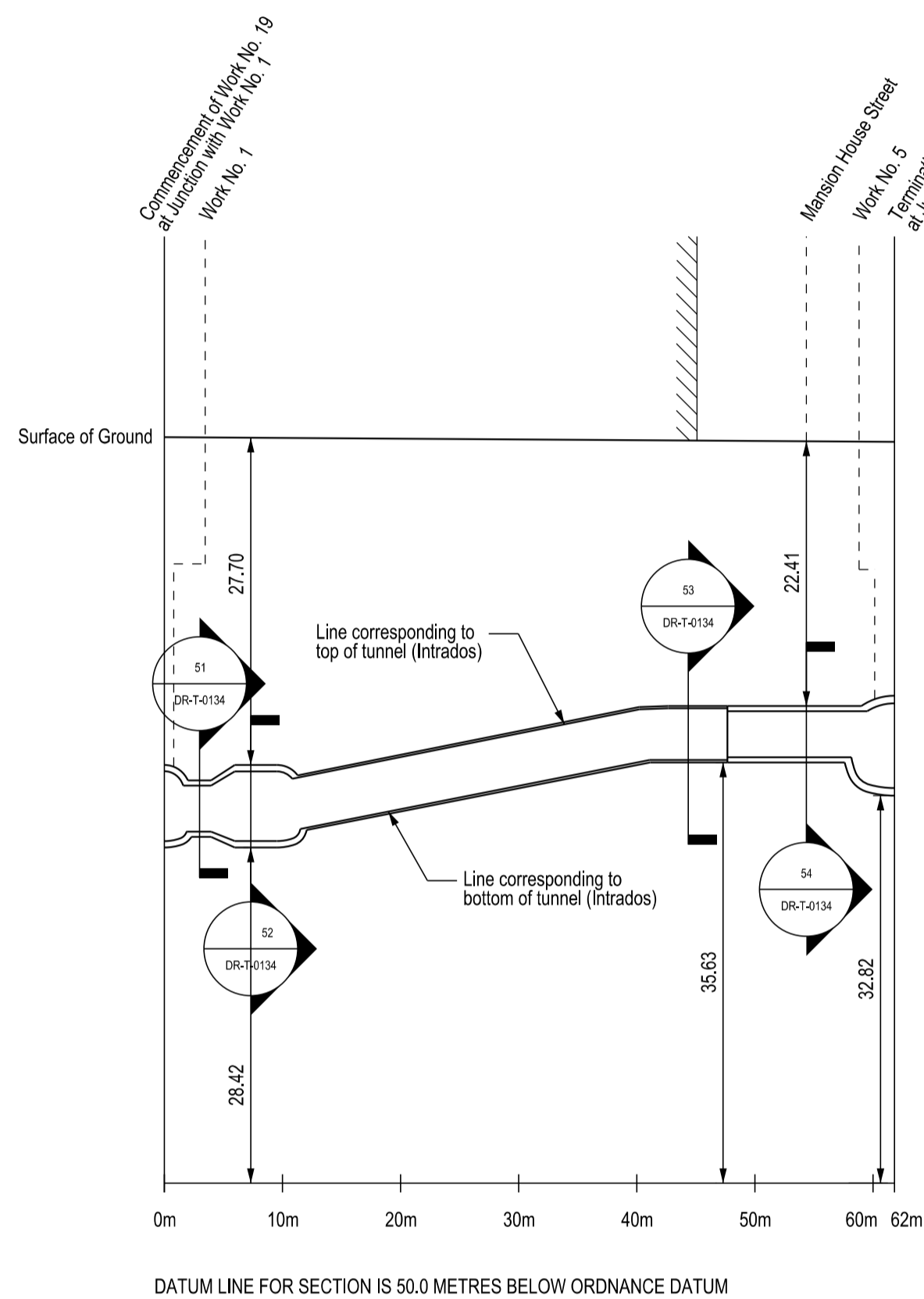
TITLE
**LONGITUDINAL SECTION
 WORK NO. 16, 17 & 18**



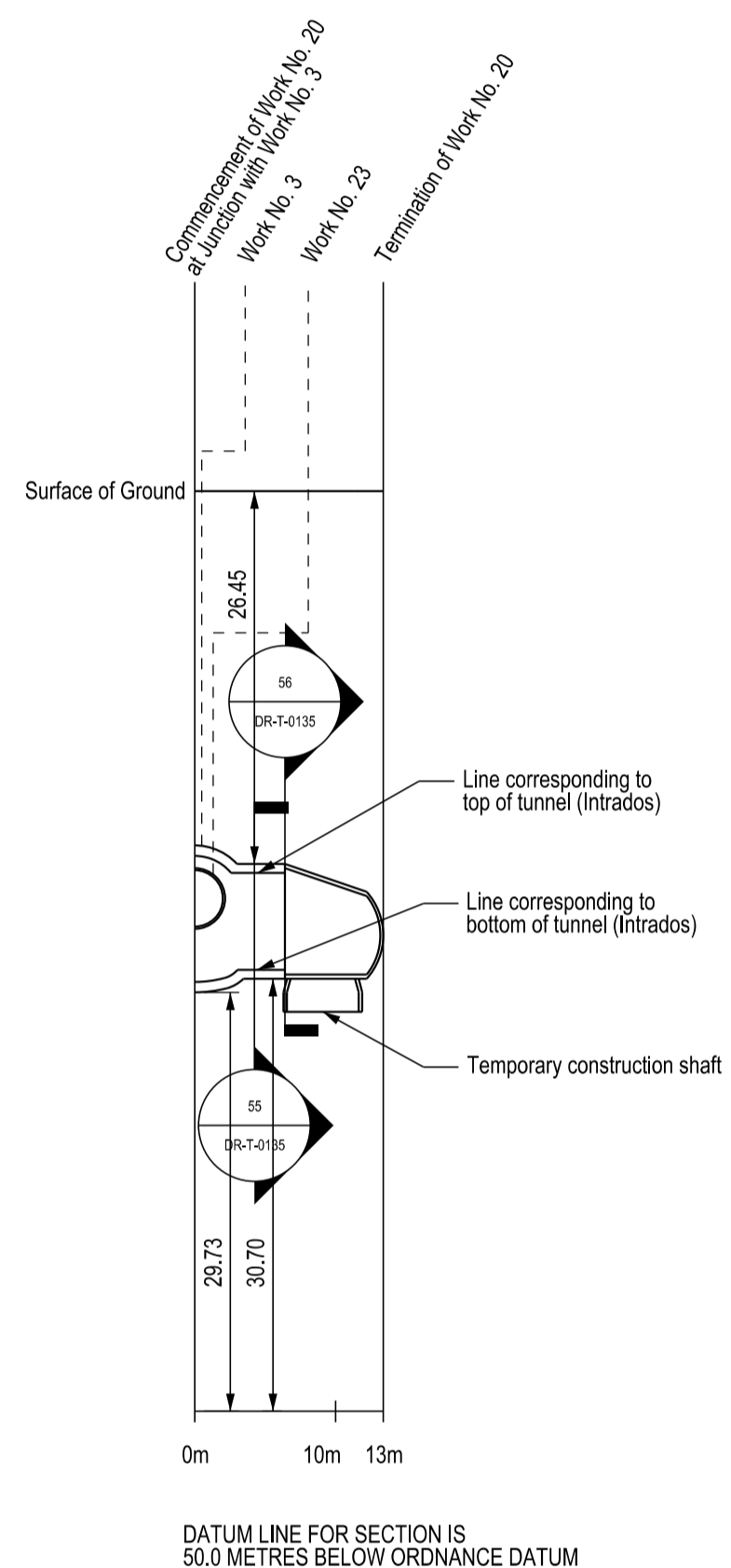
DRAWING NUMBER
BSCU-DRA-MAC-N133 Z-DR-T-0034

TRANSPORT AND WORKS ACT 1992 LONDON UNDERGROUND (BANK STATION CAPACITY UPGRADE) ORDER

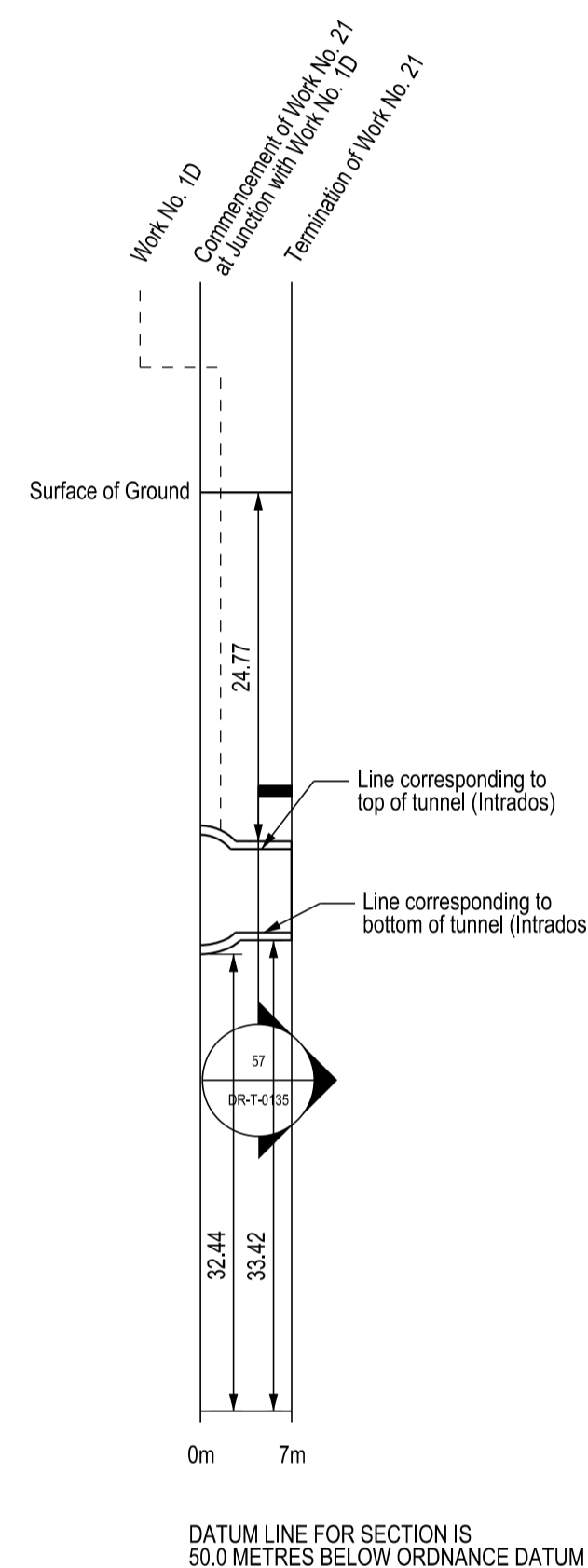
Key:
 Existing Building Facade



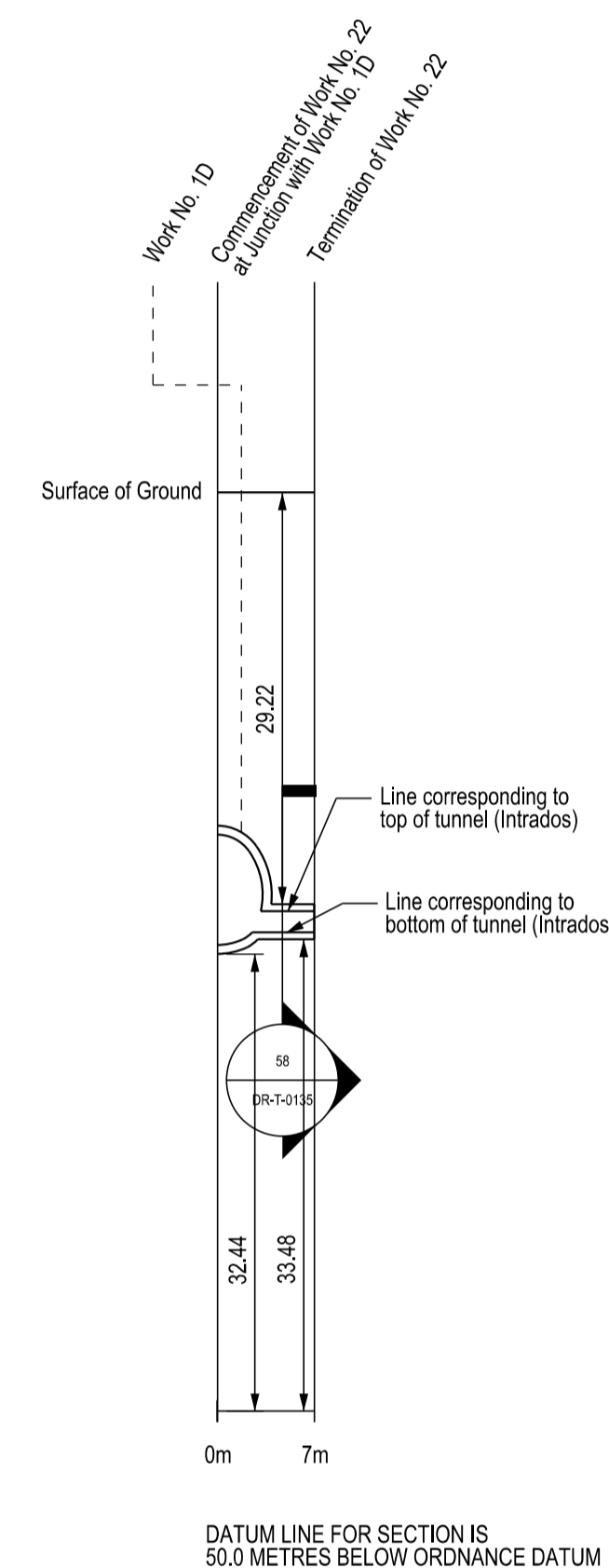
WORK NO. 19



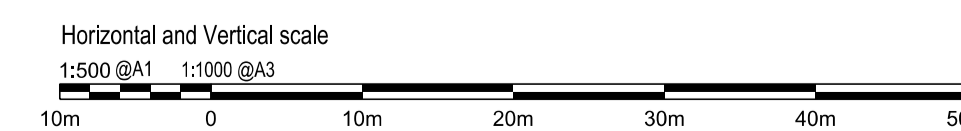
WORK NO. 20



WORK NO. 21



WORK NO. 22



PROJECT
**BANK STATION
 CAPACITY UPGRADE PROJECT**

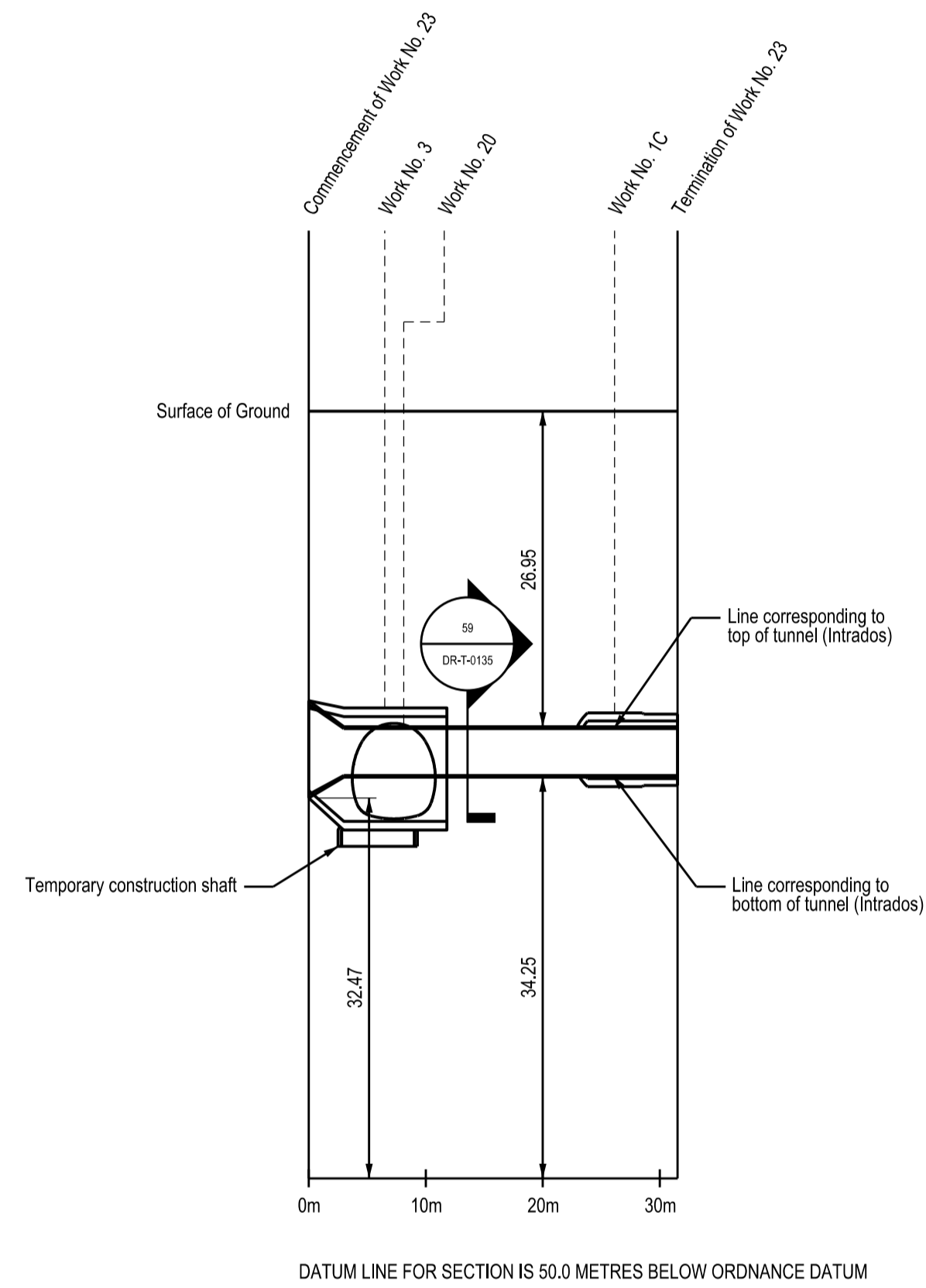
PURPOSE OF ISSUE
FOR TWAO APPLICATION

TITLE
**LONGITUDINAL SECTION
 WORK NO. 19, 20, 21 & 22**

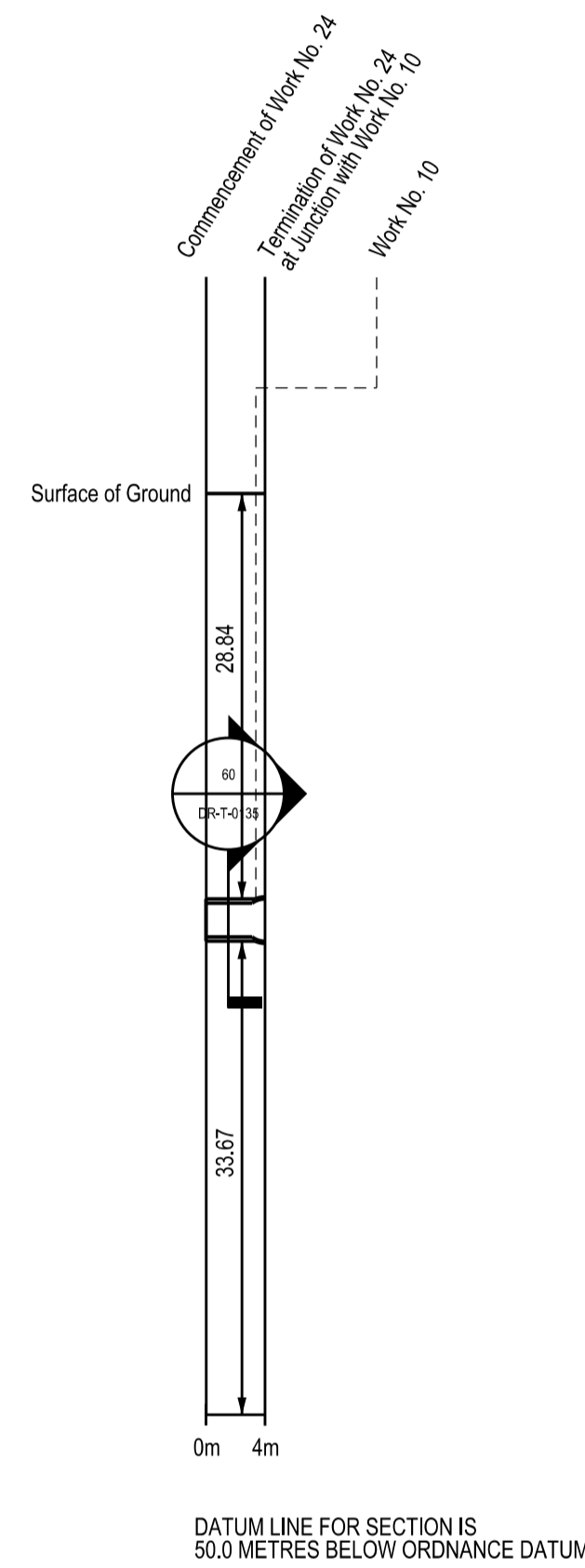


DRAWING NUMBER
BSCU-DRA-MAC-N133 Z-DR-T-0038

TRANSPORT AND WORKS ACT 1992 LONDON UNDERGROUND (BANK STATION CAPACITY UPGRADE) ORDER





WORK NO. 23

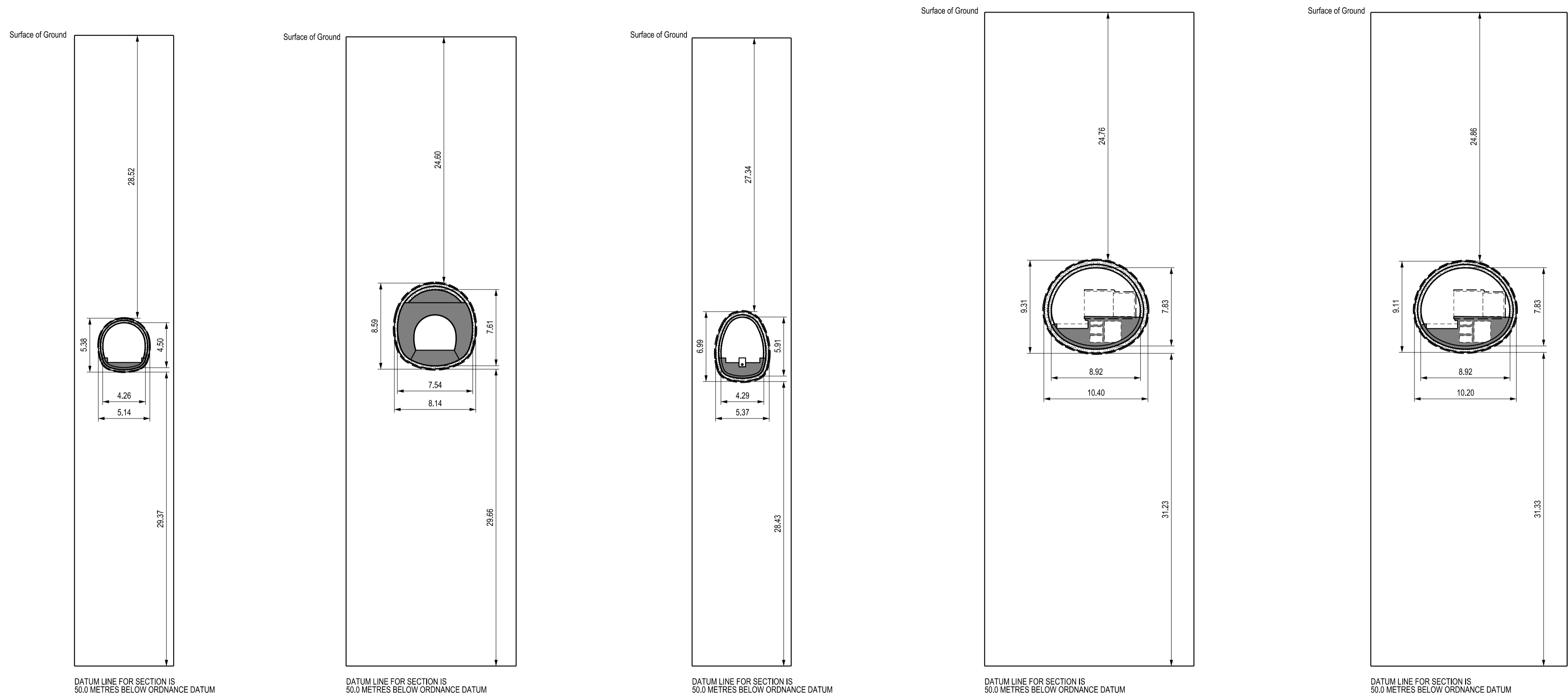


WORK NO. 24



PROJECT	BANK STATION CAPACITY UPGRADE PROJECT
PURPOSE OF ISSUE	FOR TWAO APPLICATION
TITLE	LONGITUDINAL SECTION WORK NO. 23 & 24
 	
DRAWING NUMBER	BSCU-DRA-MAC-N133 Z-DR-T-0039

TRANSPORT AND WORKS ACT 1992 LONDON UNDERGROUND (BANK STATION CAPACITY UPGRADE) ORDER



WORK NO. 1
Cross Section 1

WORK NO. 1
Cross Section 2

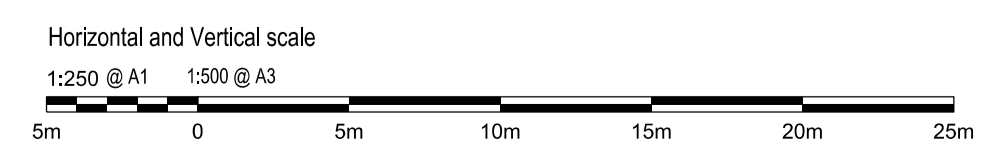
WORK NO. 1
Cross Section 3


WORK NO. 1
Cross Section 4

WORK NO. 1
Cross Section 5

Note: Internal arrangements shown are indicative only

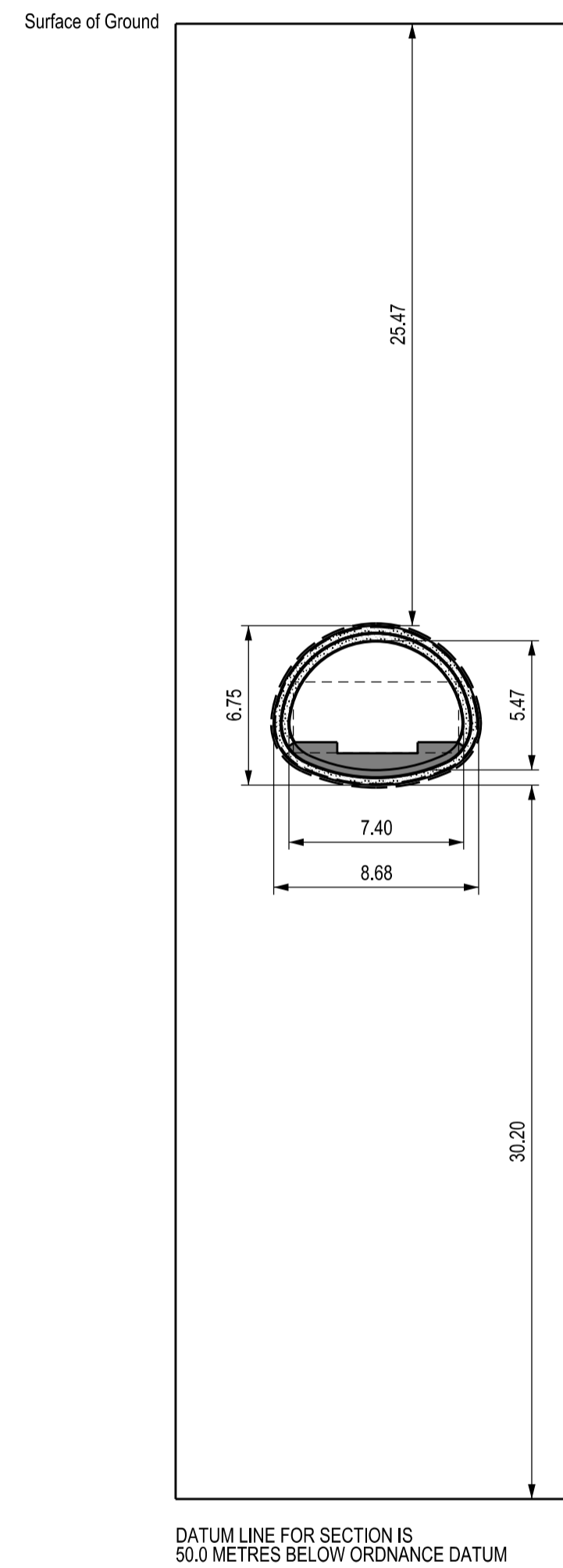
PROJECT	BANK STATION CAPACITY UPGRADE PROJECT
PURPOSE OF ISSUE	FOR TWAO APPLICATION
TITLE	CROSS SECTION WORK NO. 1 SHEET 1 OF 2



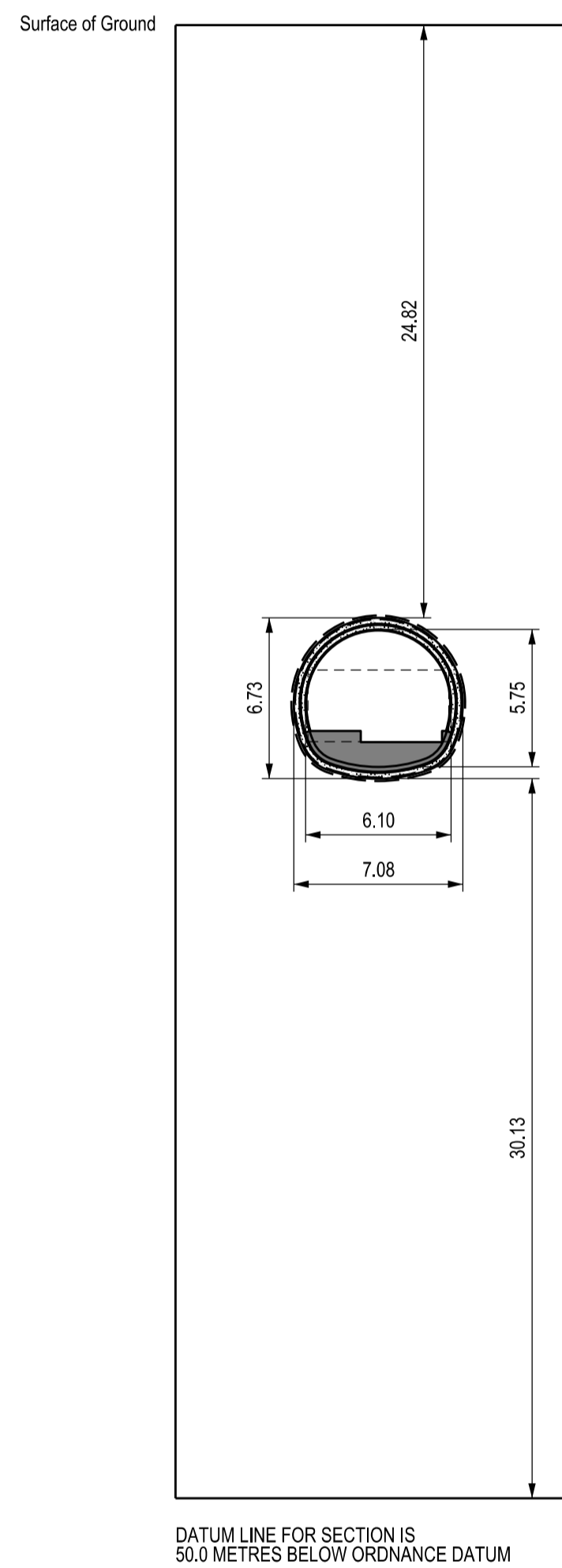



DRAWING NUMBER
BSCU-DRA-MAC-N133 Z-DR-T-0124

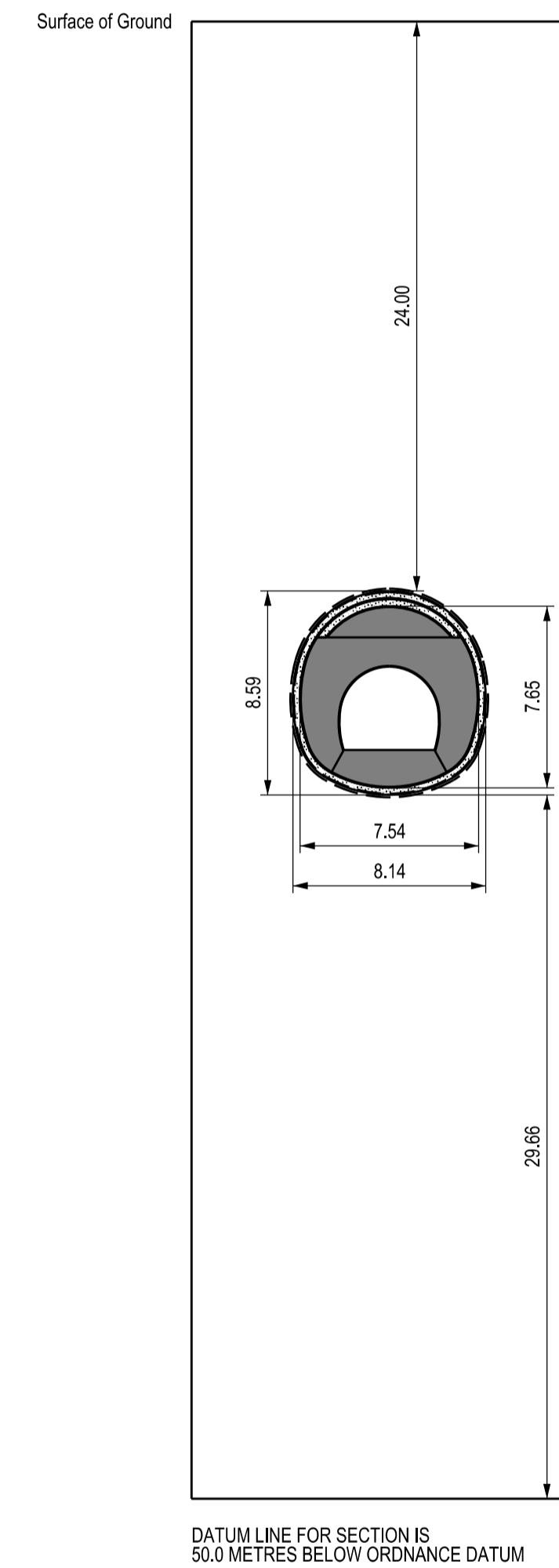
**TRANSPORT AND WORKS ACT 1992
 LONDON UNDERGROUND
 (BANK STATION CAPACITY UPGRADE)
 ORDER**



WORK NO. 1
 Cross Section 6



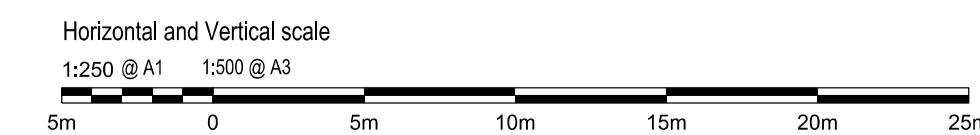
WORK NO. 1
 Cross Section 7



WORK NO. 1
 Cross Section 8

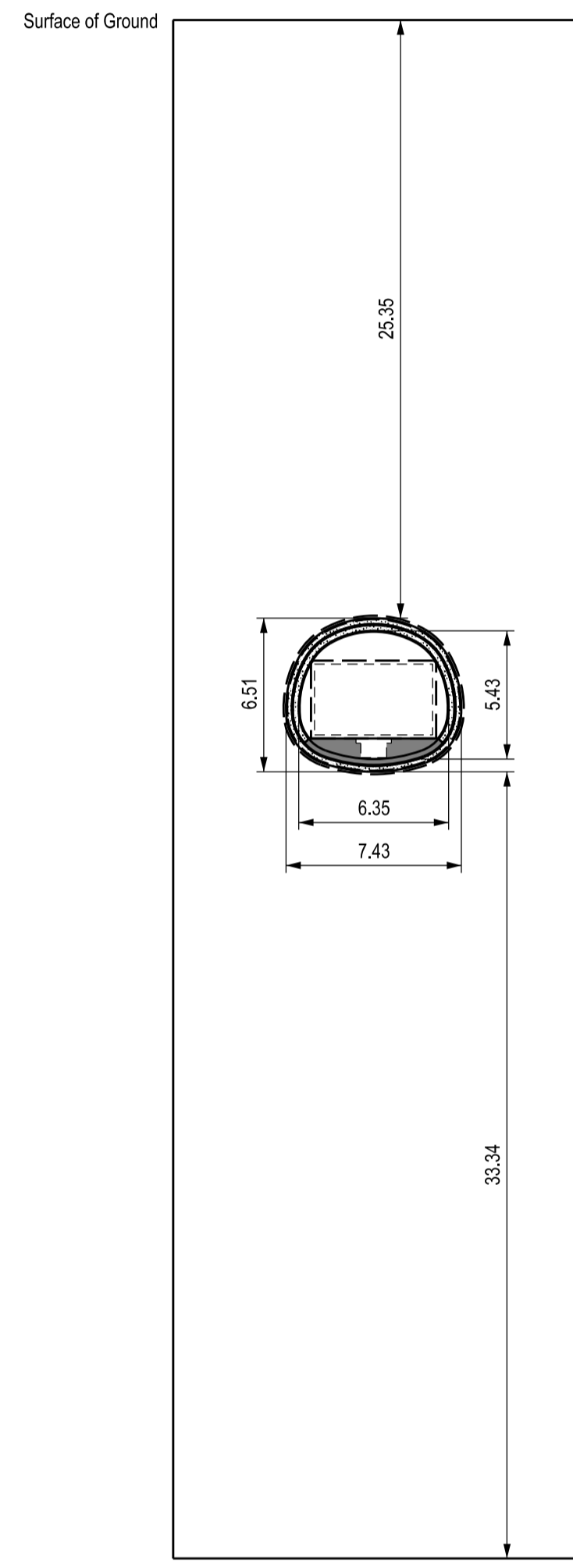
Note: Internal arrangements shown are indicative only

PROJECT	BANK STATION CAPACITY UPGRADE PROJECT
PURPOSE OF ISSUE	FOR TWAO APPLICATION
TITLE	CROSS SECTION WORK NO. 1 SHEET 2 OF 2



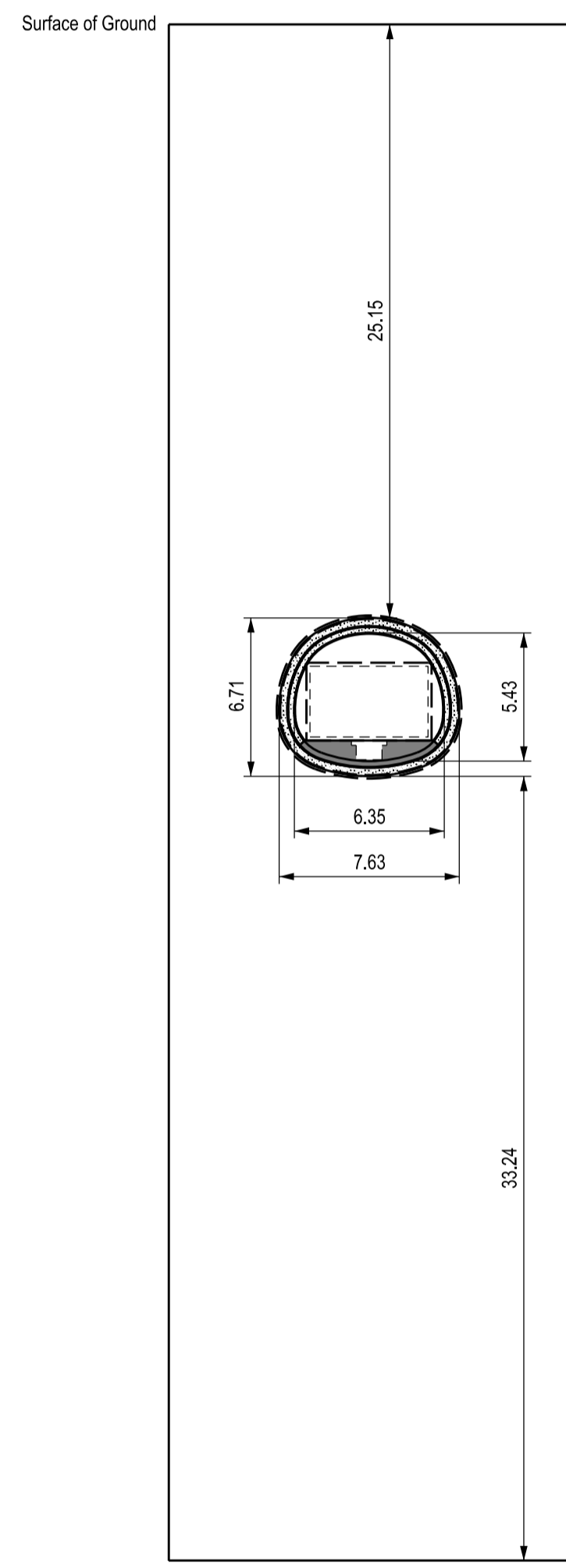
DRAWING NUMBER
 BSCU-DRA-MAC-N133 Z-DR-T-0125

TRANSPORT AND WORKS ACT 1992 LONDON UNDERGROUND (BANK STATION CAPACITY UPGRADE) ORDER



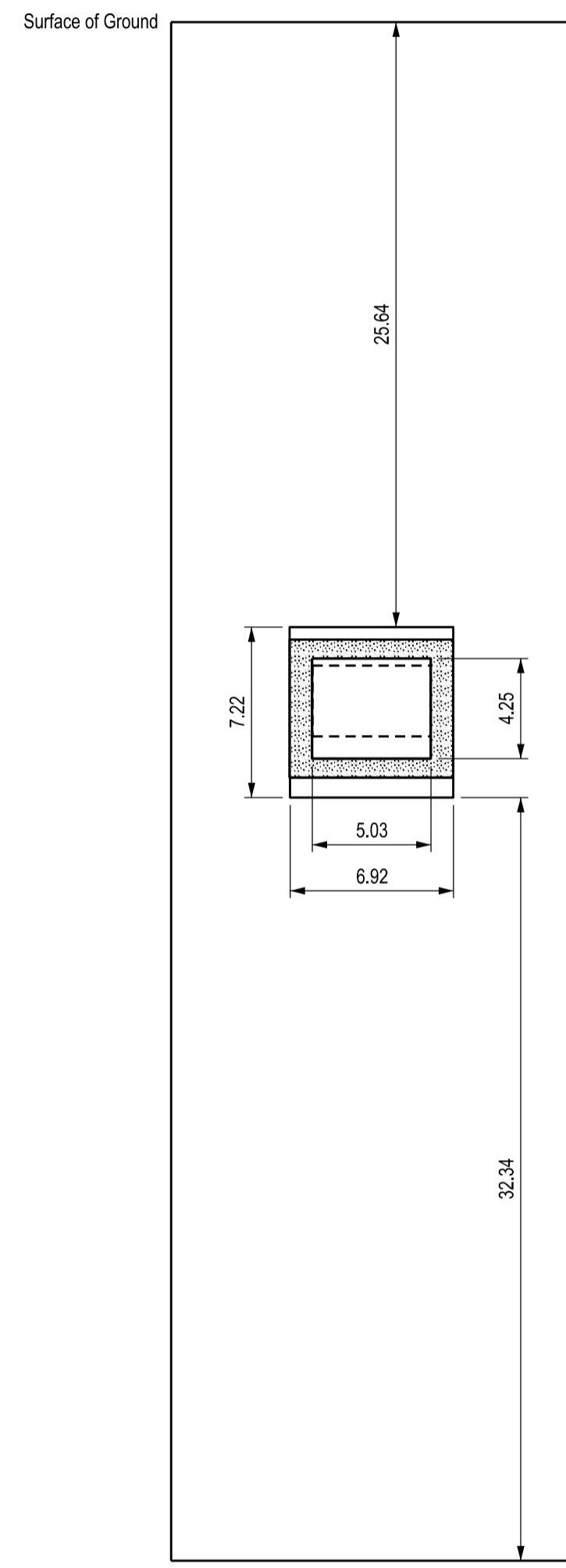
DATUM LINE FOR SECTION IS
50.0 METRES BELOW ORDNANCE DATUM

WORKS NO. 1A
Cross Section 9



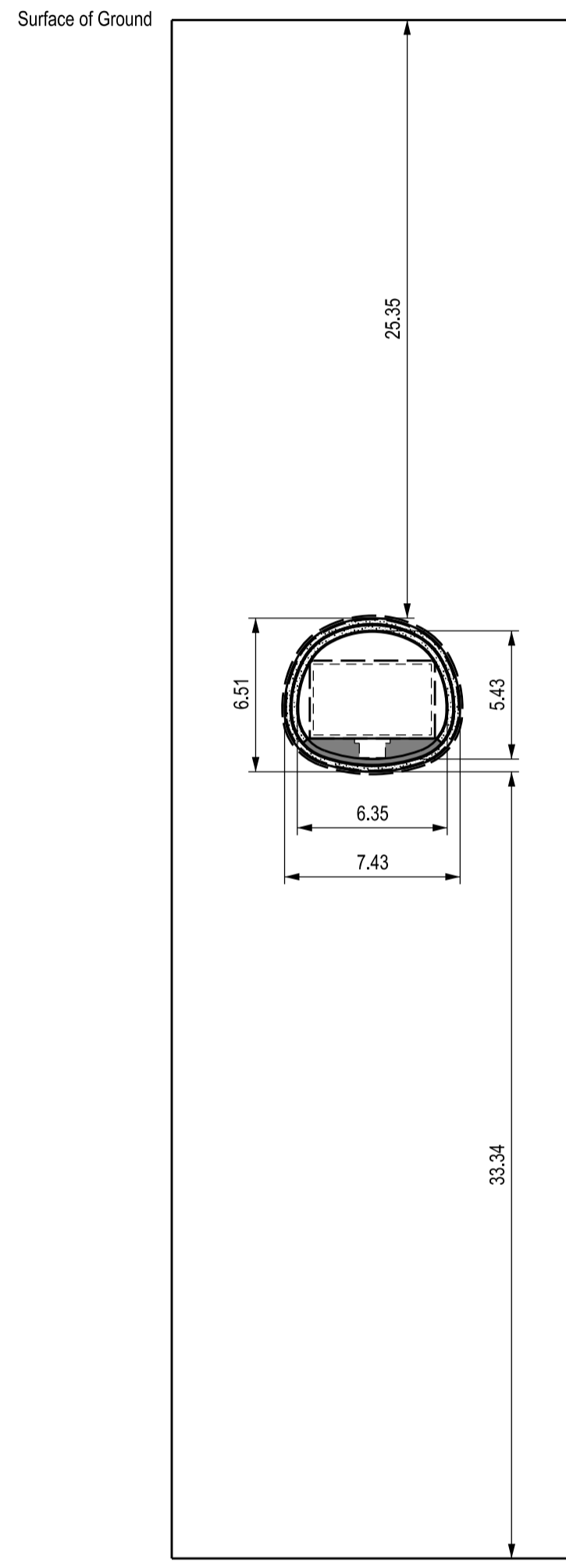
DATUM LINE FOR SECTION IS
50.0 METRES BELOW ORDNANCE DATUM

WORK NO. 1A
Cross Section 10



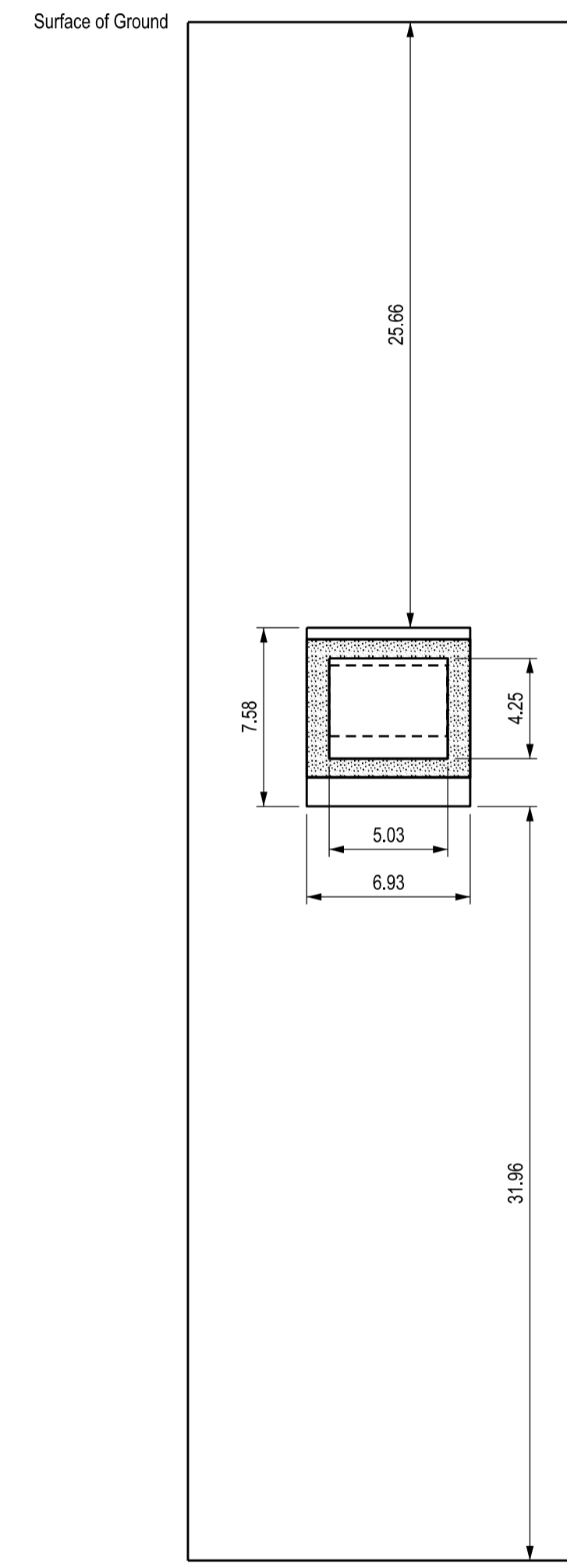
DATUM LINE FOR SECTION IS
50.0 METRES BELOW ORDNANCE DATUM

WORK NO. 1A
Cross Section 11



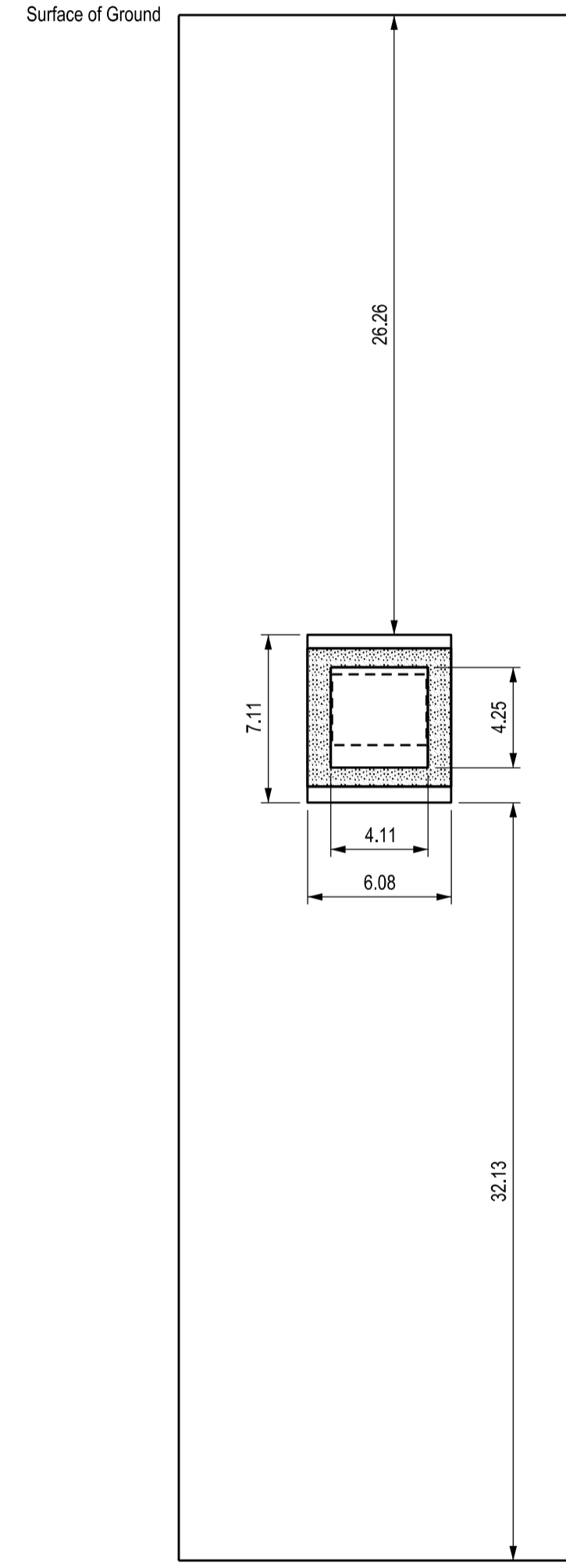
DATUM LINE FOR SECTION IS
50.0 METRES BELOW ORDNANCE DATUM

WORKS NO. 1B
Cross Section 12



DATUM LINE FOR SECTION IS
50.0 METRES BELOW ORDNANCE DATUM

WORK NO. 1B
Cross Section 13

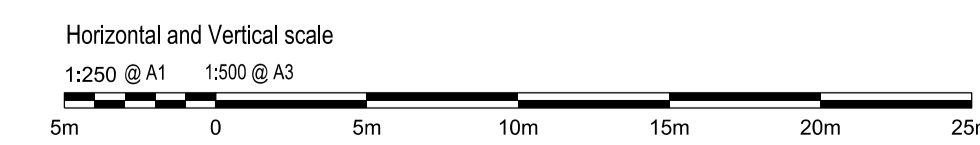


DATUM LINE FOR SECTION IS
50.0 METRES BELOW ORDNANCE DATUM

WORK NO. 1C
Cross Section 14

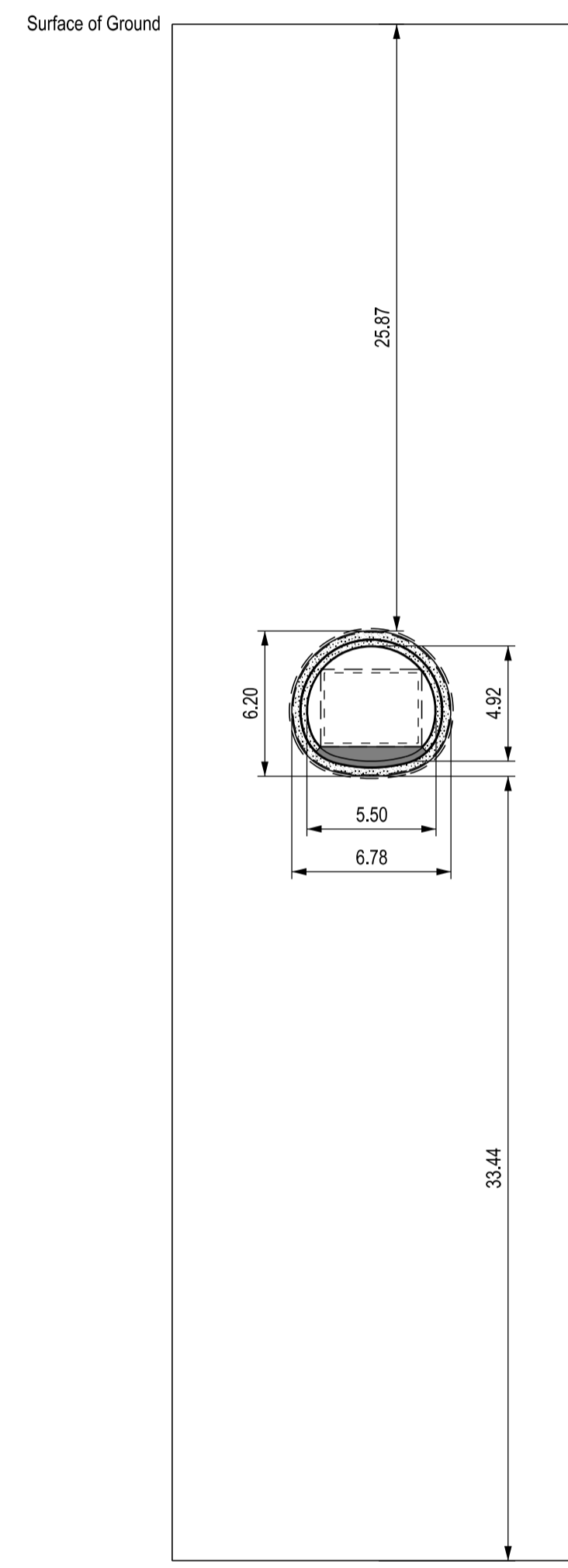
Note: Internal arrangements shown are indicative only

PROJECT	BANK STATION CAPACITY UPGRADE PROJECT
PURPOSE OF ISSUE	FOR TWAO APPLICATION
TITLE	CROSS SECTION WORK NO. 1A, 1B, 1C & 1D SHEET 1 OF 2



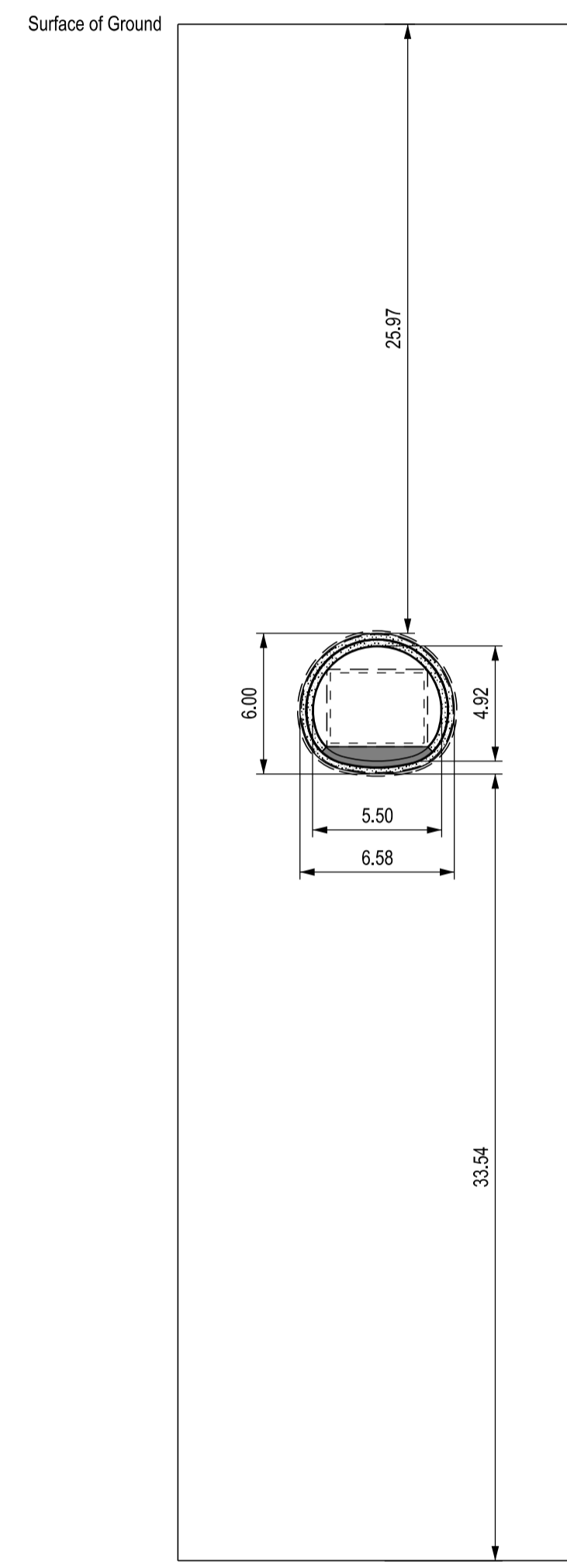
DRAWING NUMBER
BSCU-DRA-MAC-N133 Z-DR-T-0126

TRANSPORT AND WORKS ACT 1992 LONDON UNDERGROUND (BANK STATION CAPACITY UPGRADE) ORDER



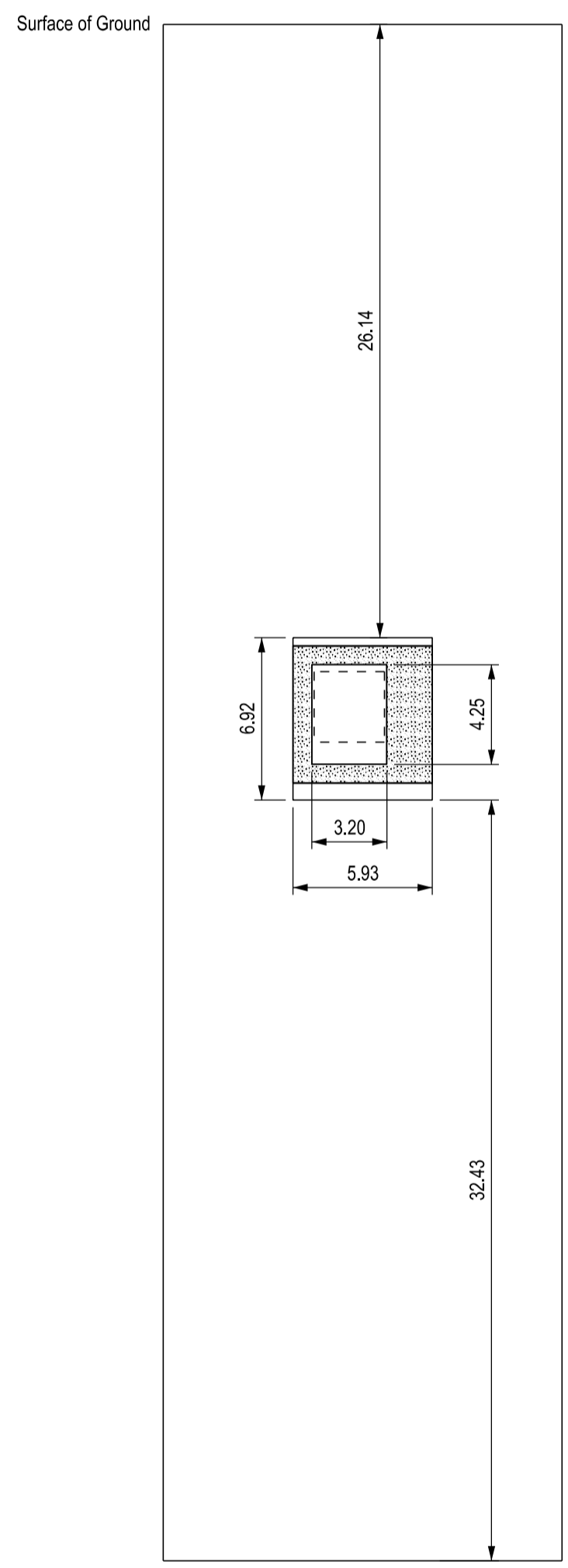
DATUM LINE FOR SECTION IS 50.0 METRES BELOW ORDNANCE DATUM

WORK NO. 1C
 Cross Section 15



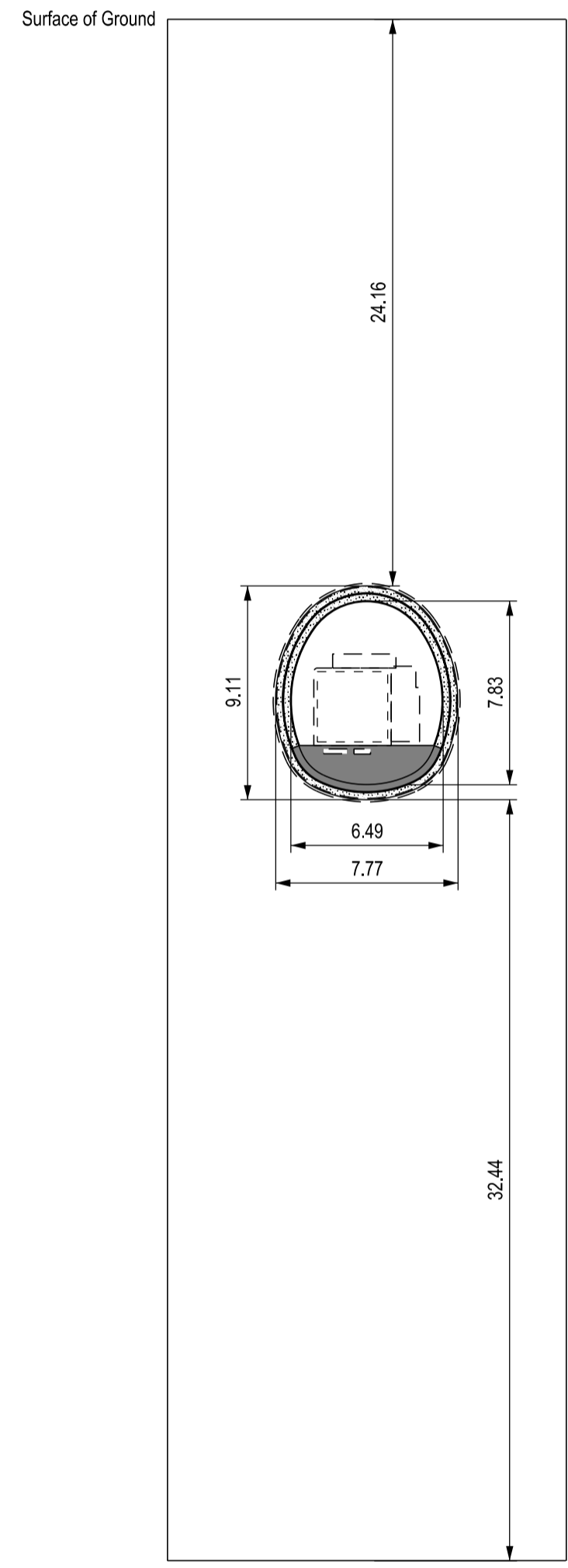
DATUM LINE FOR SECTION IS 50.0 METRES BELOW ORDNANCE DATUM

WORK NO. 1C
 Cross Section 16



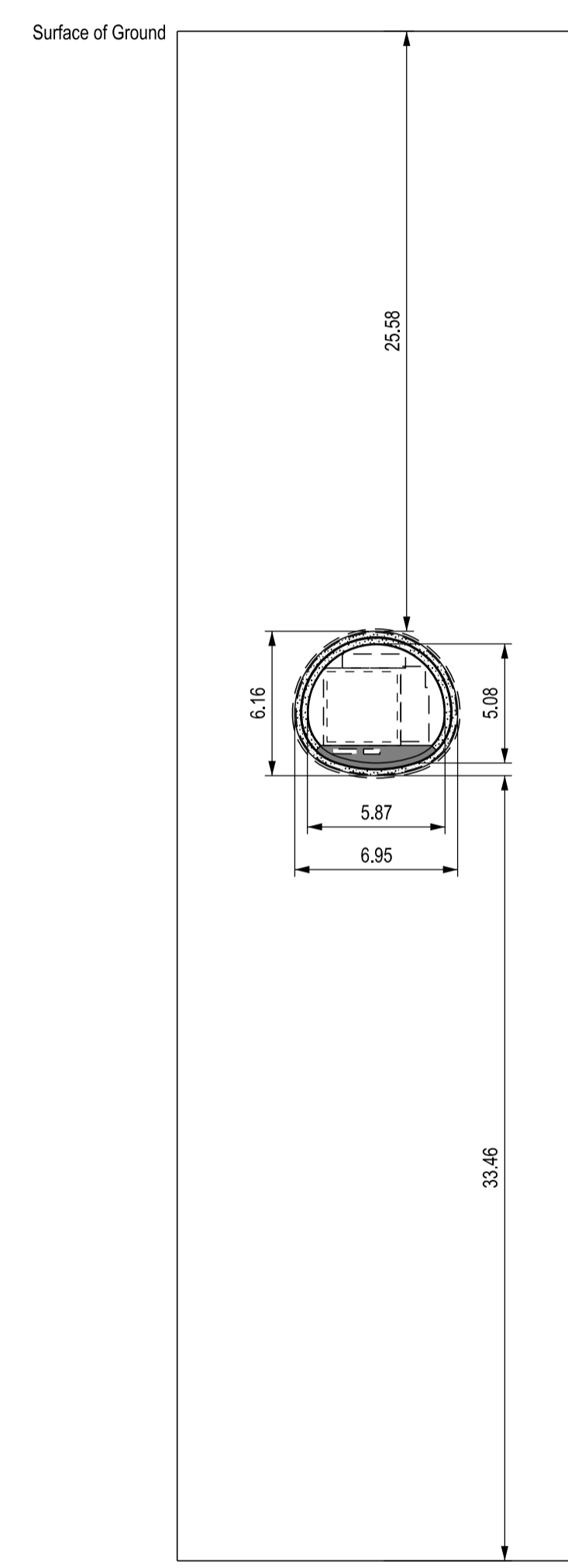
DATUM LINE FOR SECTION IS 50.0 METRES BELOW ORDNANCE DATUM

WORK NO. 1D
 Cross Section 17



DATUM LINE FOR SECTION IS 50.0 METRES BELOW ORDNANCE DATUM

WORK NO. 1D
 Cross Section 18

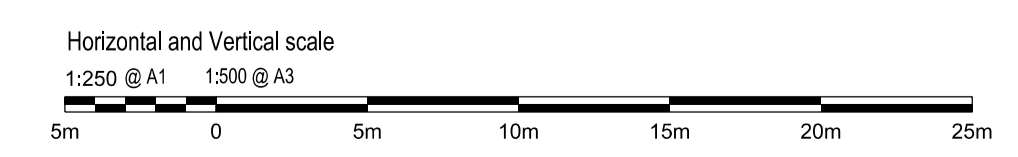


DATUM LINE FOR SECTION IS 50.0 METRES BELOW ORDNANCE DATUM

WORK NO. 1D
 Cross Section 19

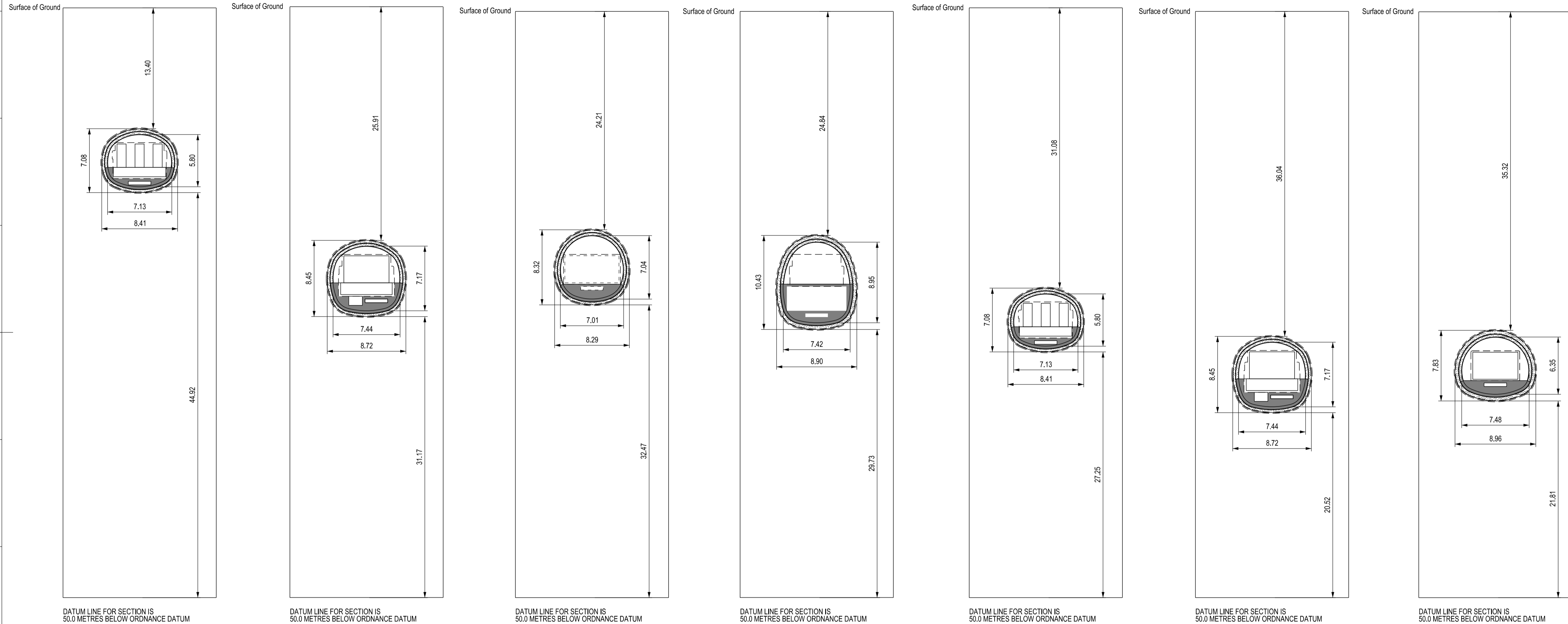
Note: Internal arrangements shown are indicative only

PROJECT	BANK STATION CAPACITY UPGRADE PROJECT
PURPOSE OF ISSUE	FOR TWAO APPLICATION
TITLE	CROSS SECTION WORK NO. 1A, 1B, 1C & 1D SHEET 2 OF 2



DRAWING NUMBER
 BSCU-DRA-MAC-N133 Z-DR-T-0127

TRANSPORT AND WORKS ACT 1992 LONDON UNDERGROUND (BANK STATION CAPACITY UPGRADE) ORDER



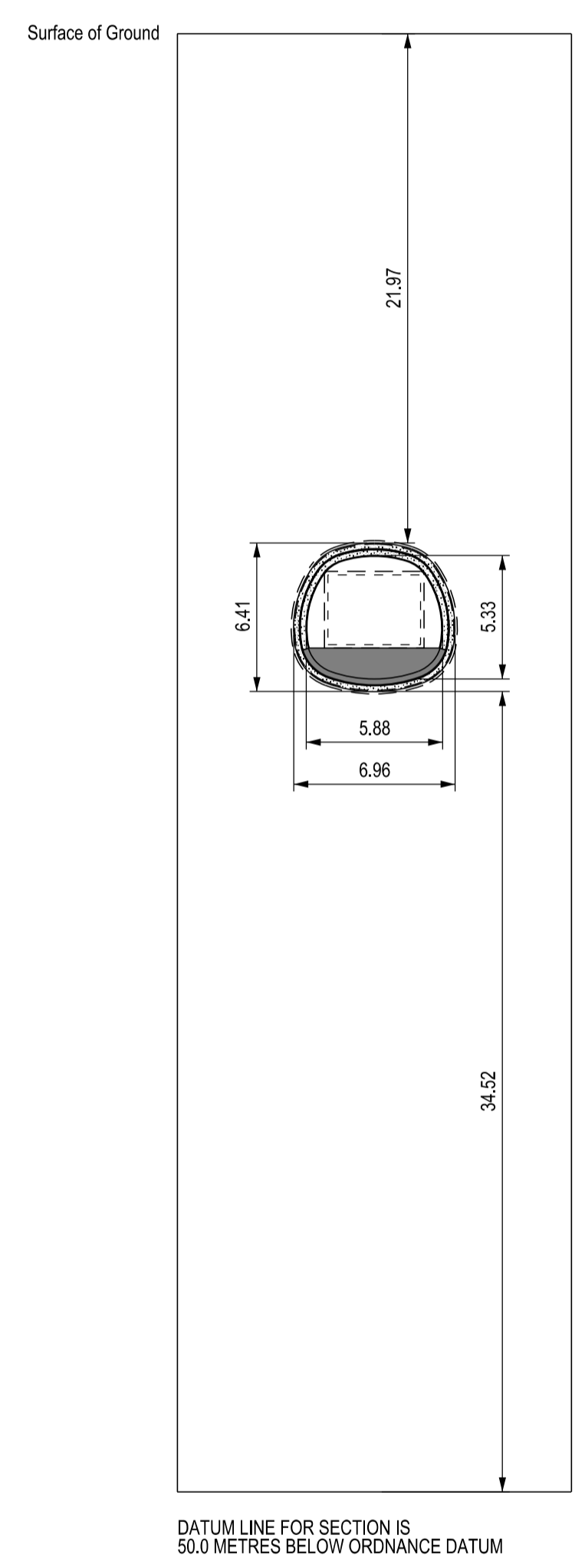
Note: Internal arrangements shown are indicative only

PROJECT	BANK STATION CAPACITY UPGRADE PROJECT
PURPOSE OF ISSUE	FOR TWAO APPLICATION
TITLE	CROSS SECTION WORK NO. 2 & 3

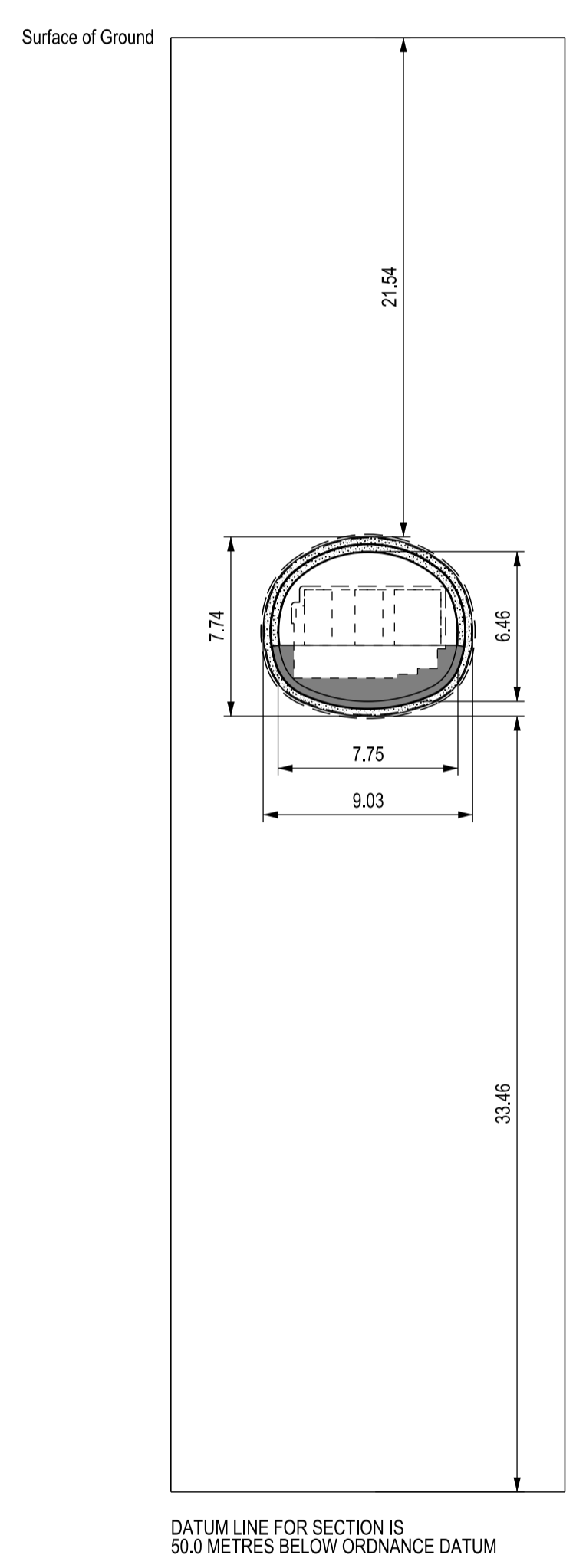


DRAWING NUMBER
 BSCU-DRA-MAC-N133 Z-DR-T-0128

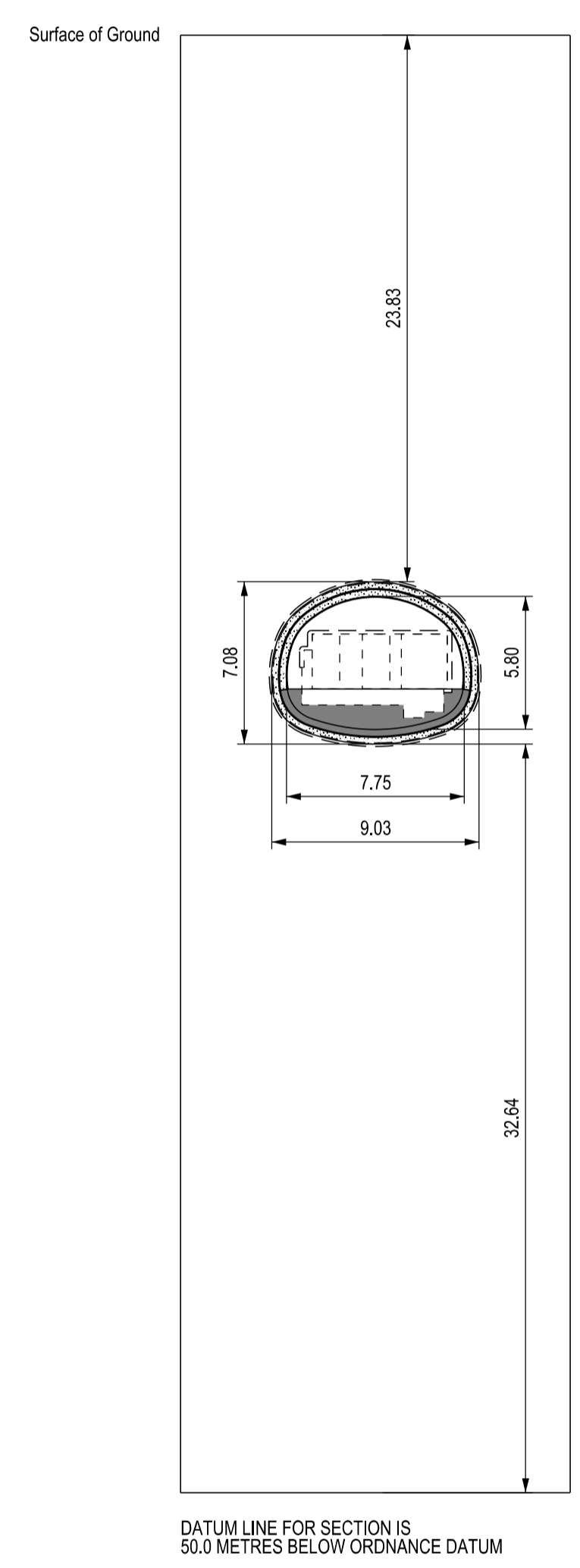
TRANSPORT AND WORKS ACT 1992 LONDON UNDERGROUND (BANK STATION CAPACITY UPGRADE) ORDER



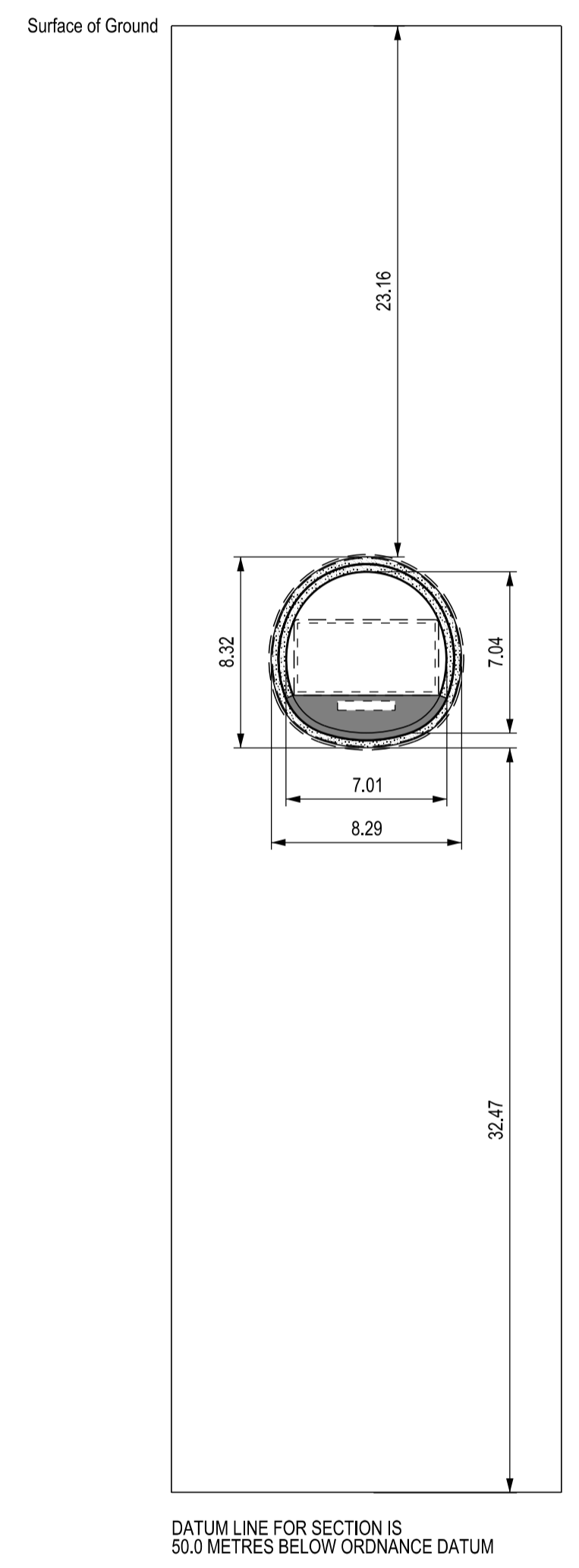
WORK NO. 4
 Cross Section 27



WORK NO. 4
 Cross Section 28



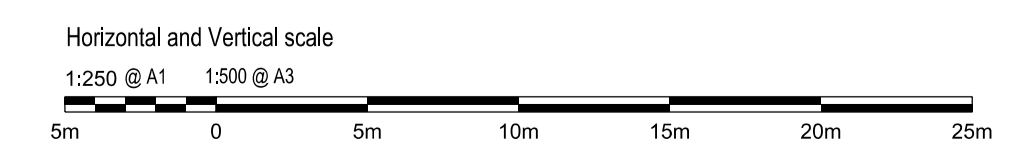
WORK NO. 4
 Cross Section 29



WORK NO. 4
 Cross Section 30

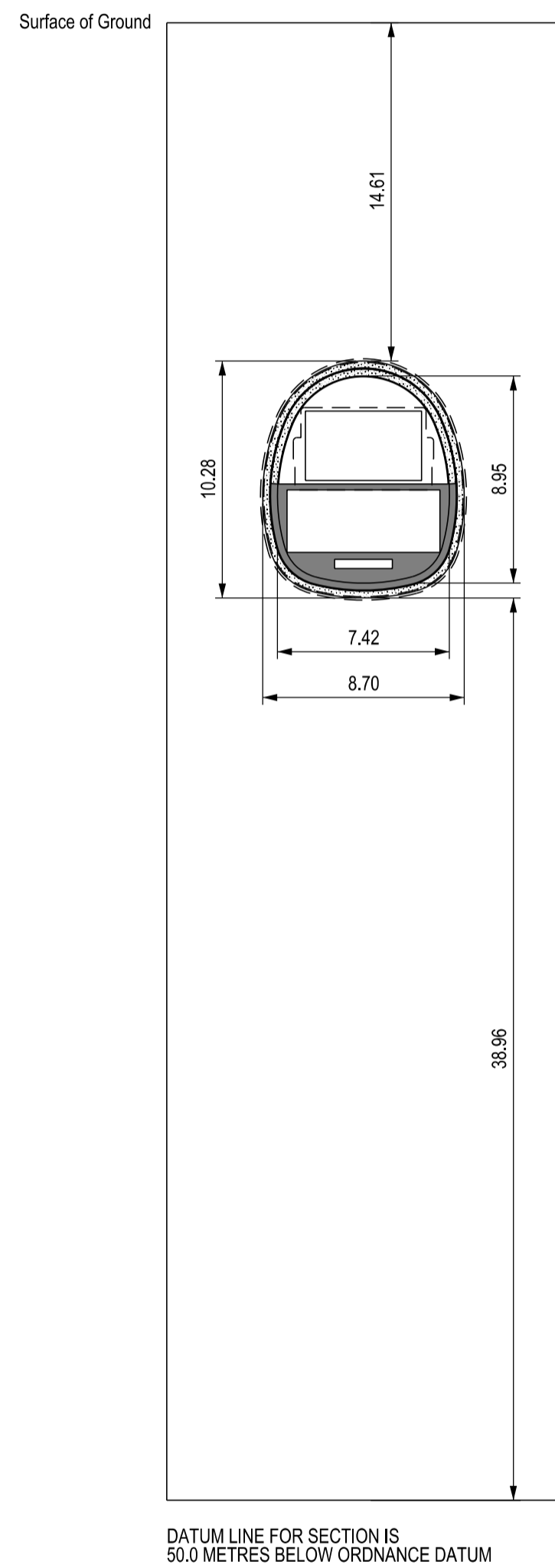
Note: Internal arrangements shown are indicative only

PROJECT	BANK STATION CAPACITY UPGRADE PROJECT
PURPOSE OF ISSUE	FOR TWAO APPLICATION
TITLE	CROSS SECTION WORK NO. 4

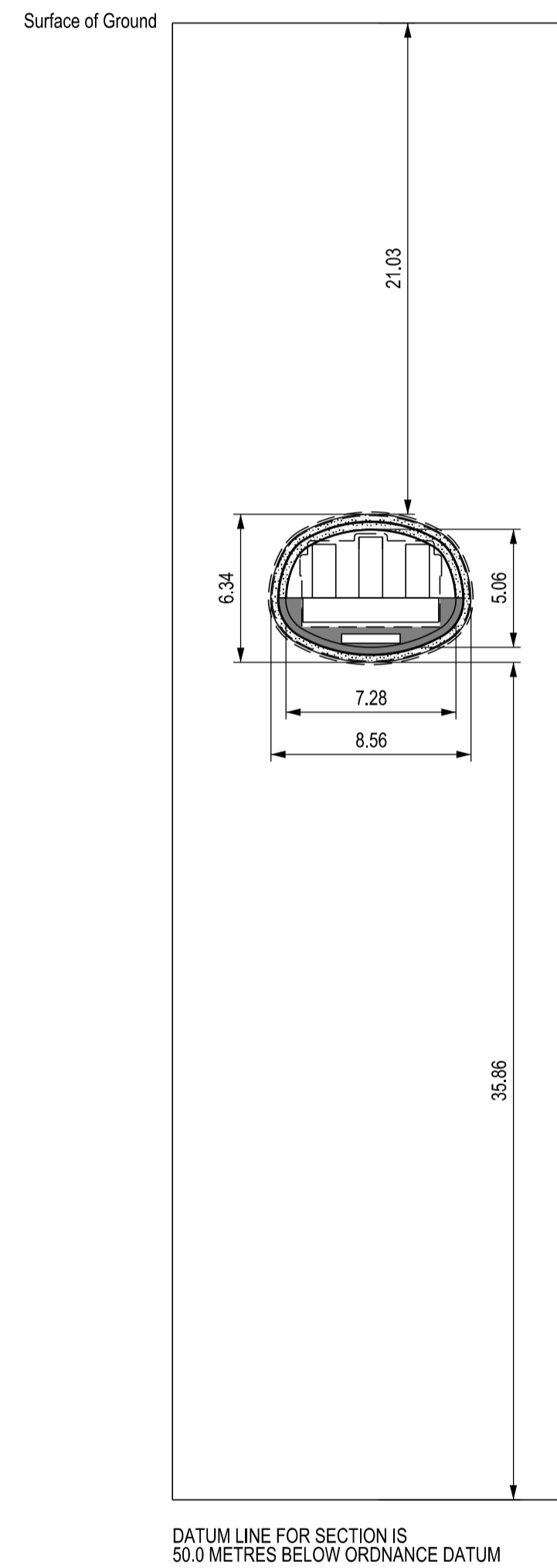


DRAWING NUMBER
BSCU-DRA-MAC-N133 Z-DR-T-0129

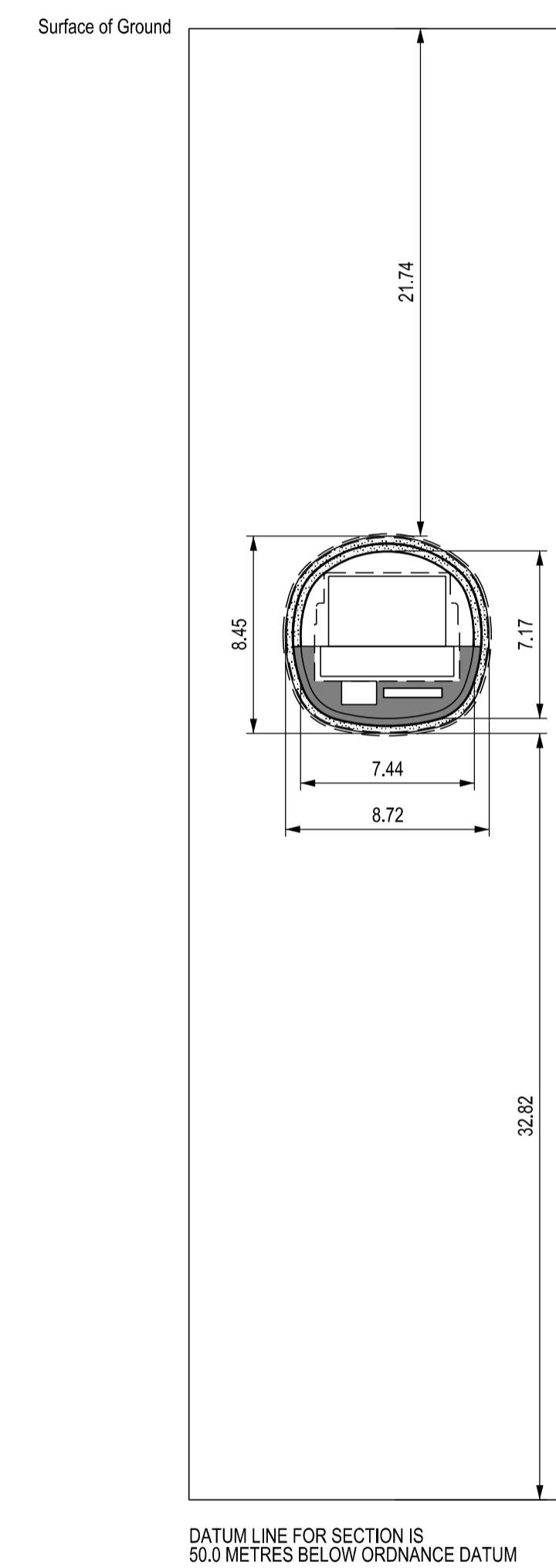
TRANSPORT AND WORKS ACT 1992 LONDON UNDERGROUND (BANK STATION CAPACITY UPGRADE) ORDER



WORK NO. 5
 Cross Section 31



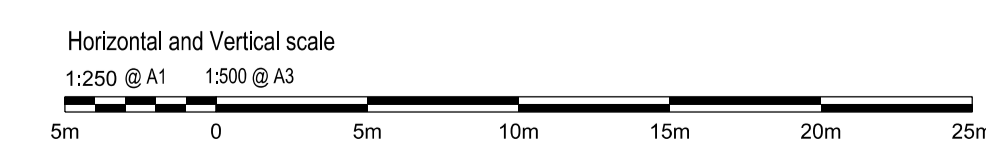
WORK NO. 5
 Cross Section 32



WORK NO. 5
 Cross Section 33

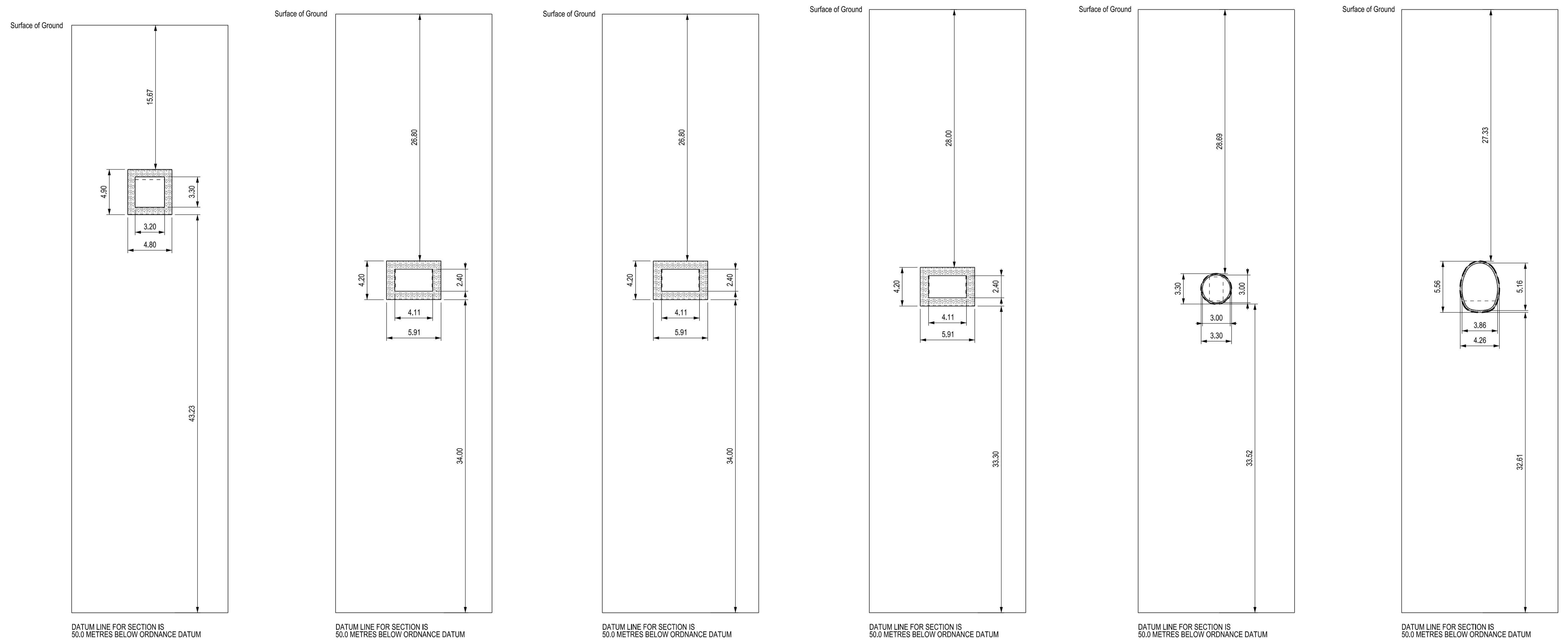
Note: Internal arrangements shown are indicative only

PROJECT	BANK STATION CAPACITY UPGRADE PROJECT
PURPOSE OF ISSUE	FOR TWAO APPLICATION
TITLE	CROSS SECTION WORK NO. 5



DRAWING NUMBER
 BSCU-DRA-MAC-N133 Z-DR-T-0130

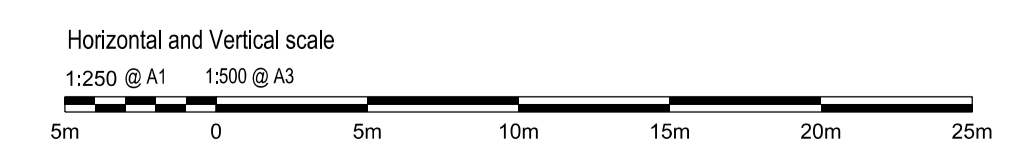
TRANSPORT AND WORKS ACT 1992 LONDON UNDERGROUND (BANK STATION CAPACITY UPGRADE) ORDER



WORK NO. 6 Cross Section 34 WORK NO. 7 Cross Section 35 WORK NO. 8 Cross Section 36 WORK NO. 9 Cross Section 37 WORK NO. 10 Cross Section 38 WORK NO. 10 Cross Section 39

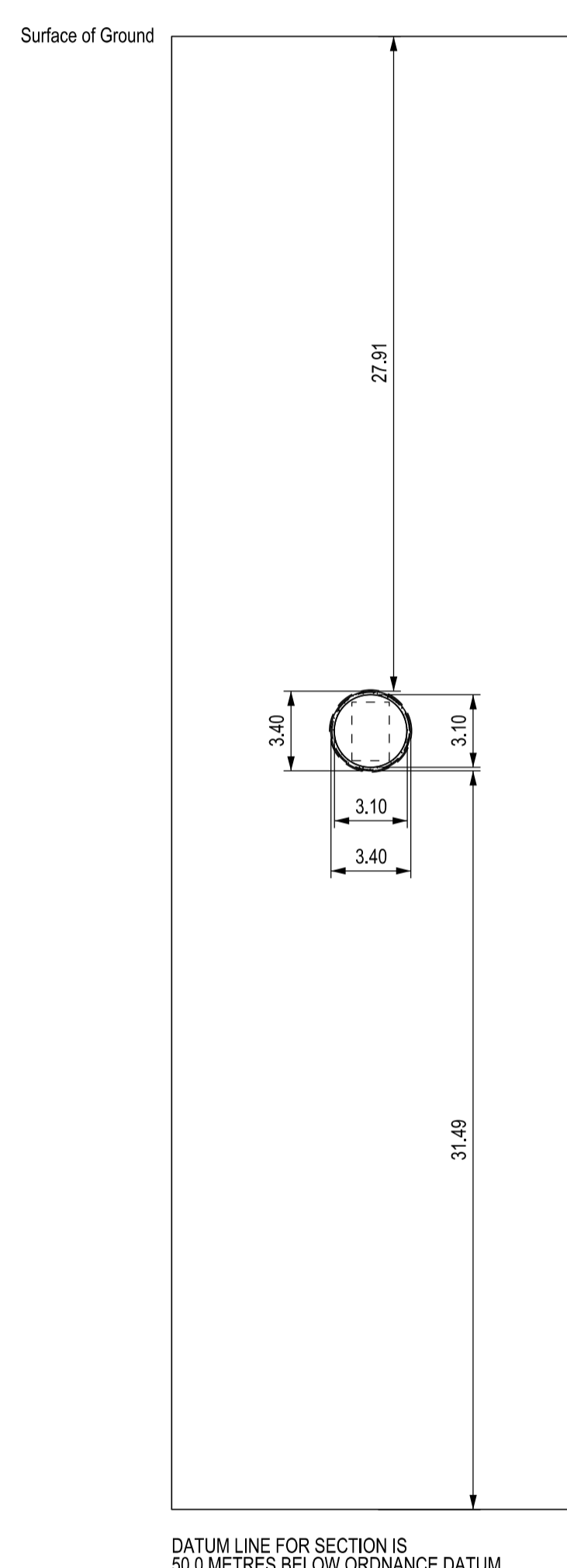
Note: Internal arrangements shown are indicative only

PROJECT	BANK STATION CAPACITY UPGRADE PROJECT
PURPOSE OF ISSUE	FOR TWAO APPLICATION
TITLE	CROSS SECTION WORK NO. 6, 7, 8, 9 & 10

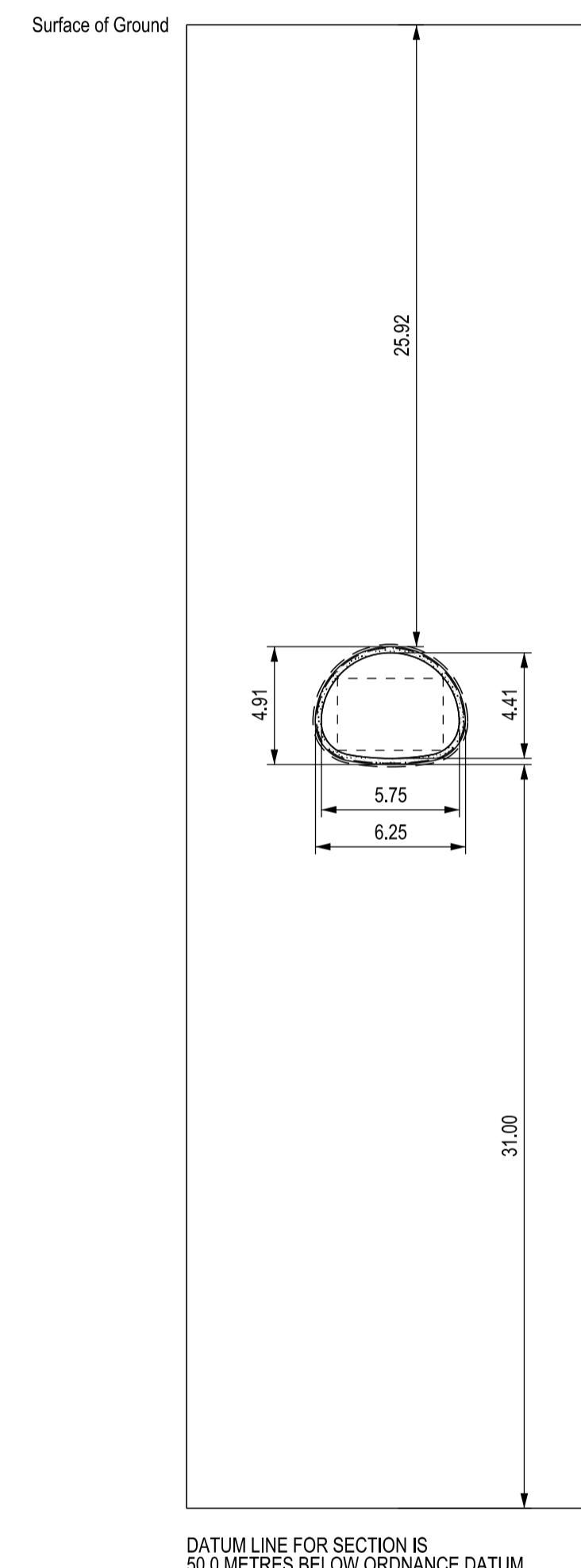


DRAWING NUMBER
 BSCU-DRA-MAC-N133 Z-DR-T-0131

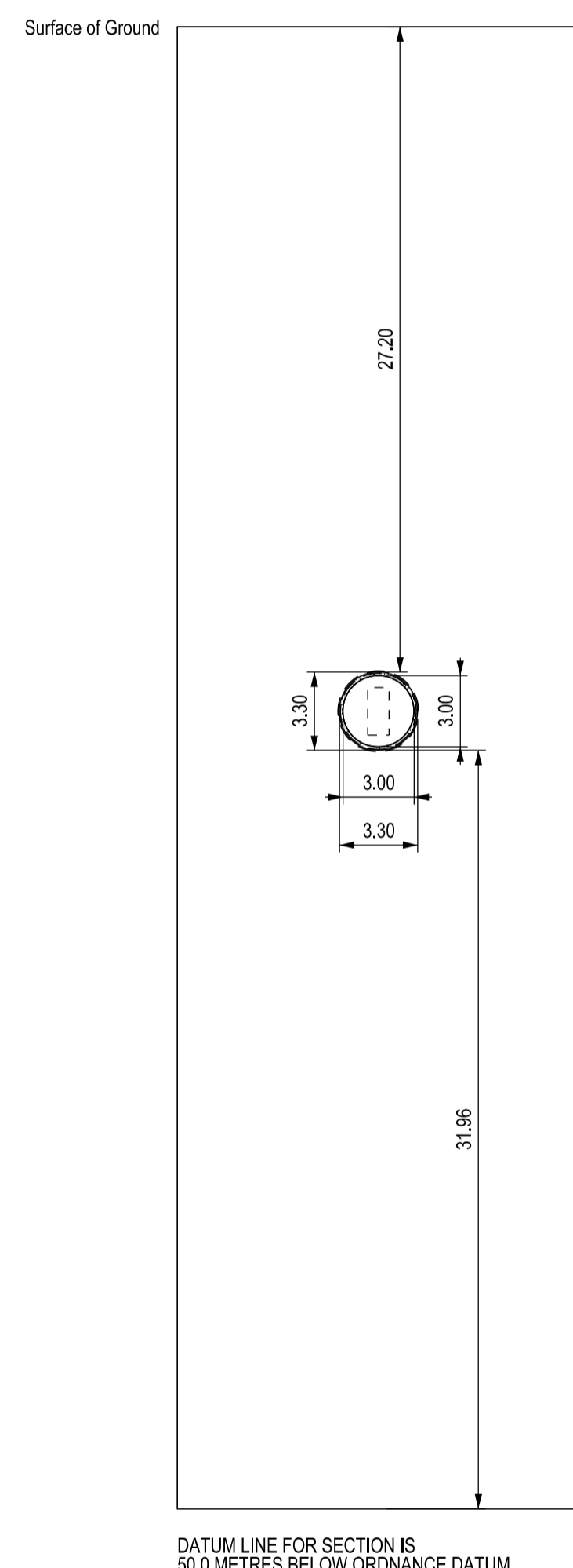
TRANSPORT AND WORKS ACT 1992 LONDON UNDERGROUND (BANK STATION CAPACITY UPGRADE) ORDER



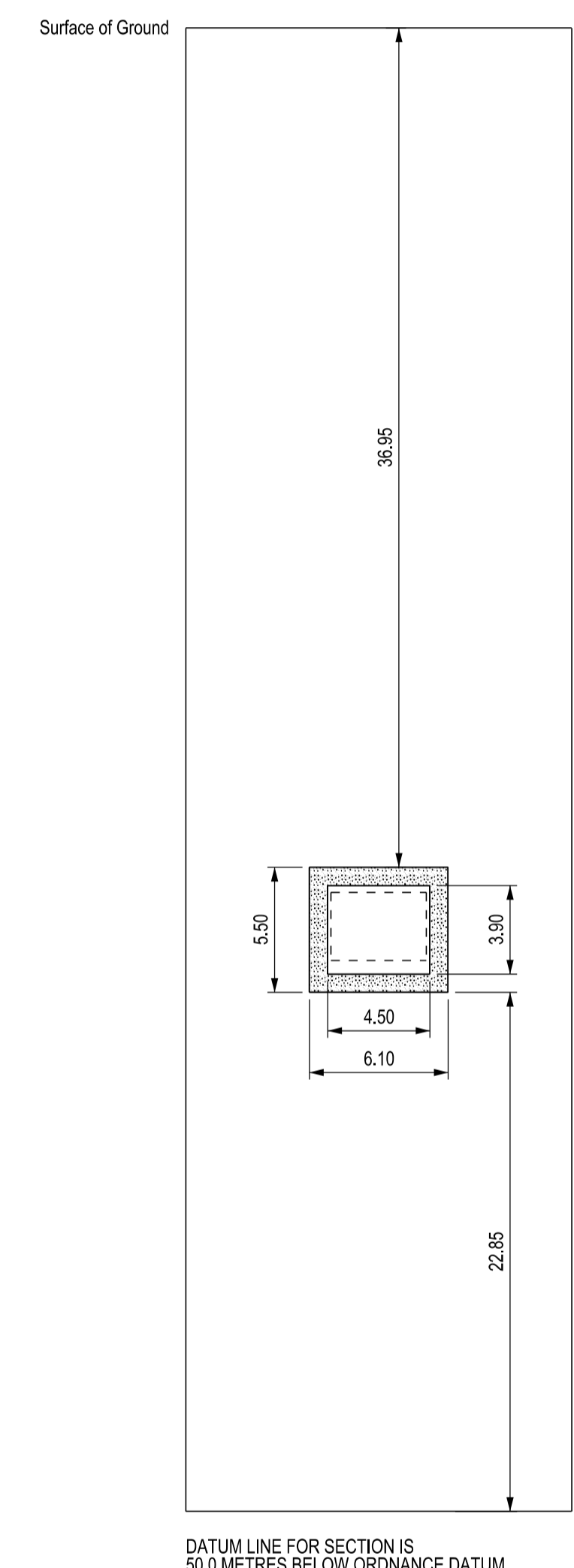
WORK NO. 11
Cross Section 40



WORK NO. 12
Cross Section 41



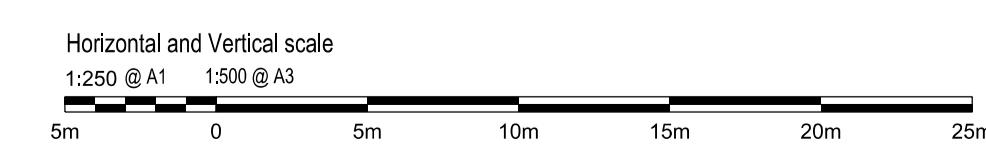
WORK NO. 12
Cross Section 42



WORK NO. 13A & 13B
Cross Section 43

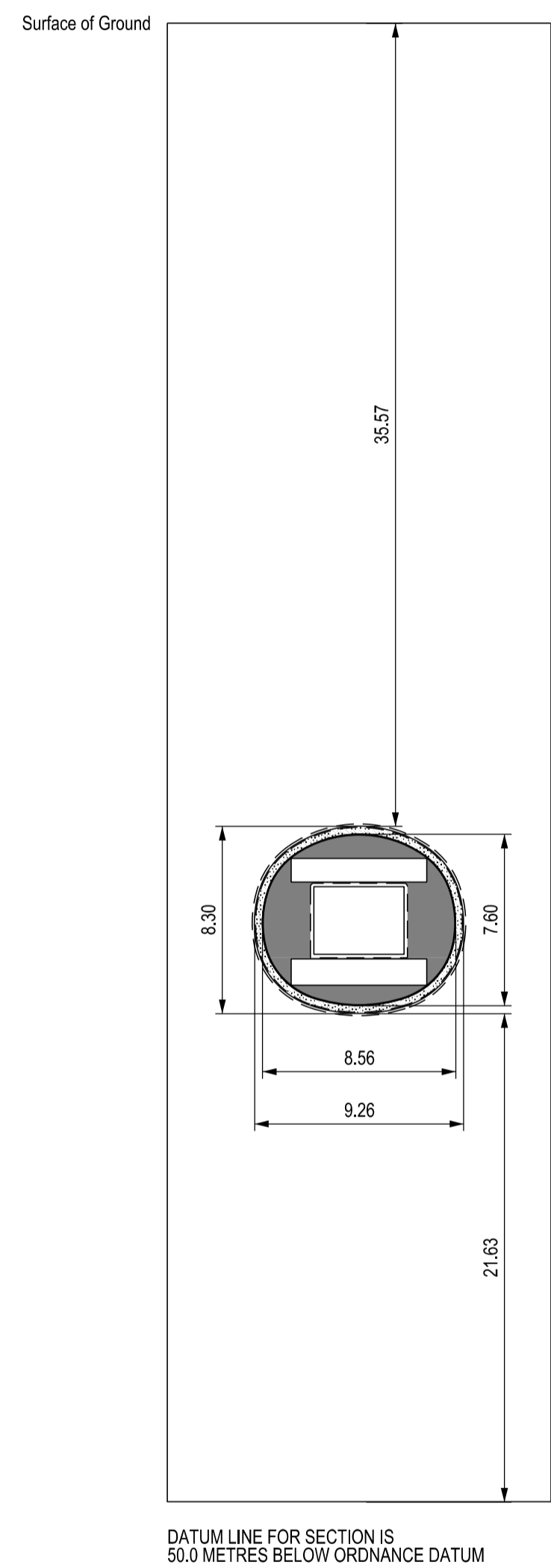
Note: Internal arrangements shown are indicative only

PROJECT	BANK STATION CAPACITY UPGRADE PROJECT
PURPOSE OF ISSUE	FOR TWAO APPLICATION
TITLE	CROSS SECTION WORK NO. 11, 12 & 13



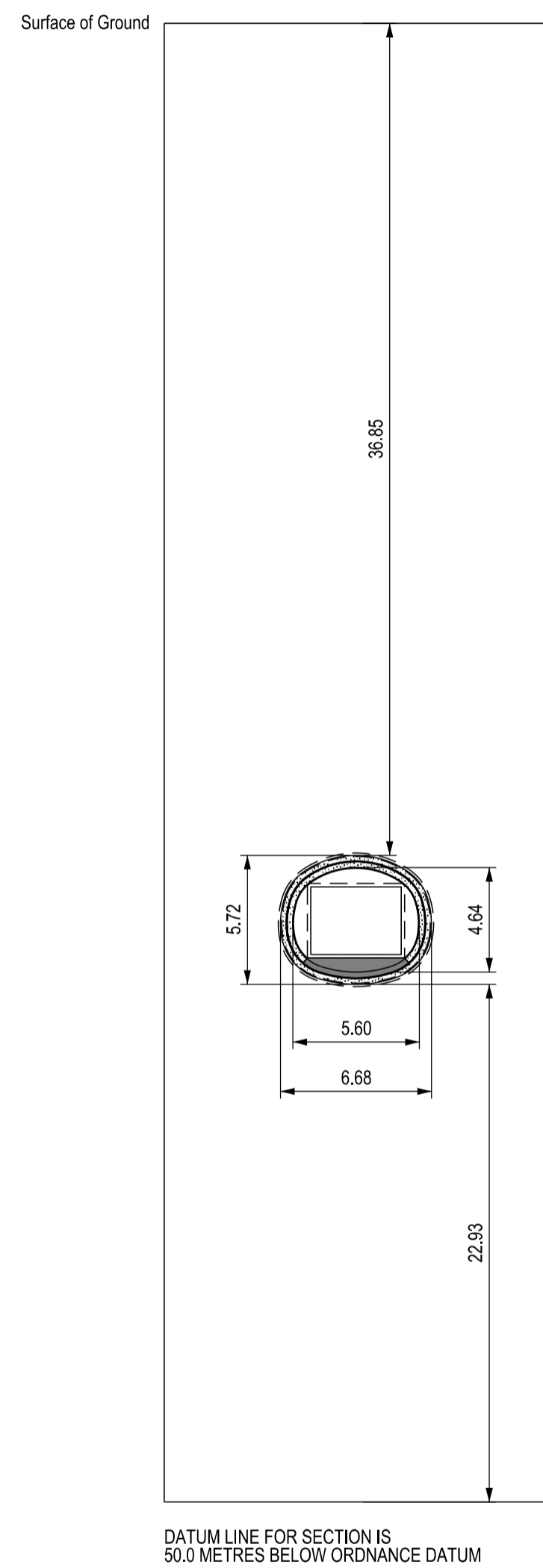
DRAWING NUMBER
BSCU-DRA-MAC-N133 Z-DR-T-0132

TRANSPORT AND WORKS ACT 1992 LONDON UNDERGROUND (BANK STATION CAPACITY UPGRADE) ORDER



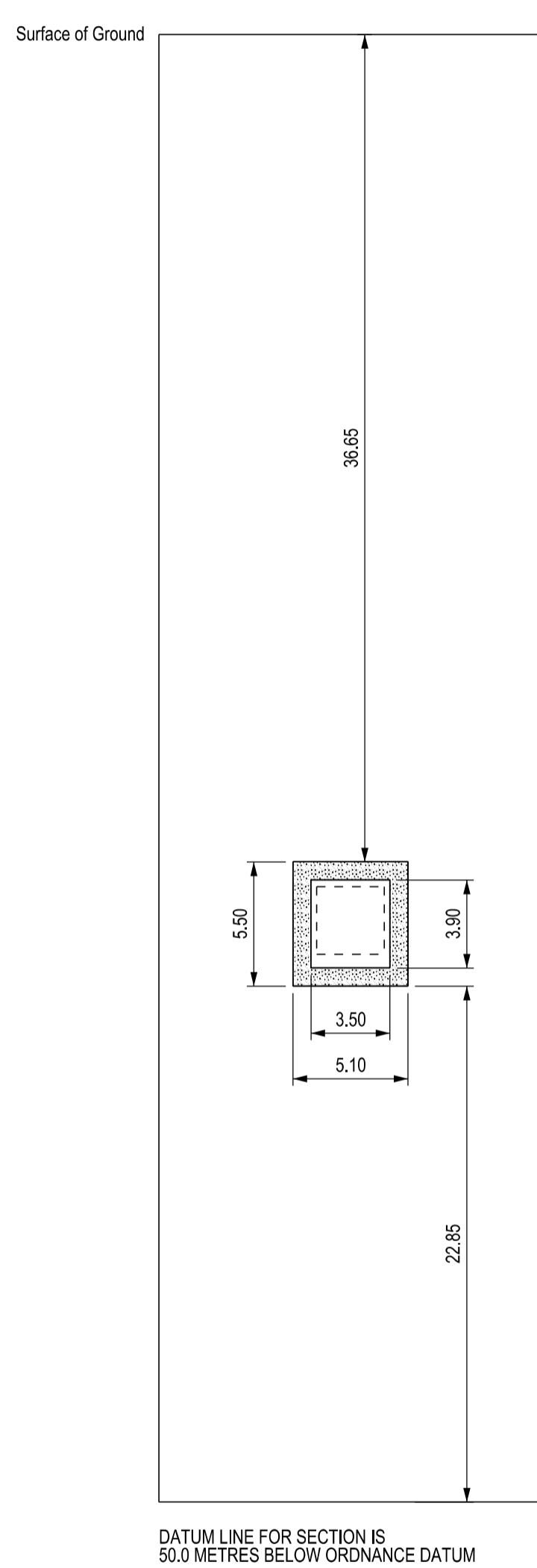
DATUM LINE FOR SECTION IS
50.0 METRES BELOW ORDNANCE DATUM

WORK NO. 14
Cross Section 44



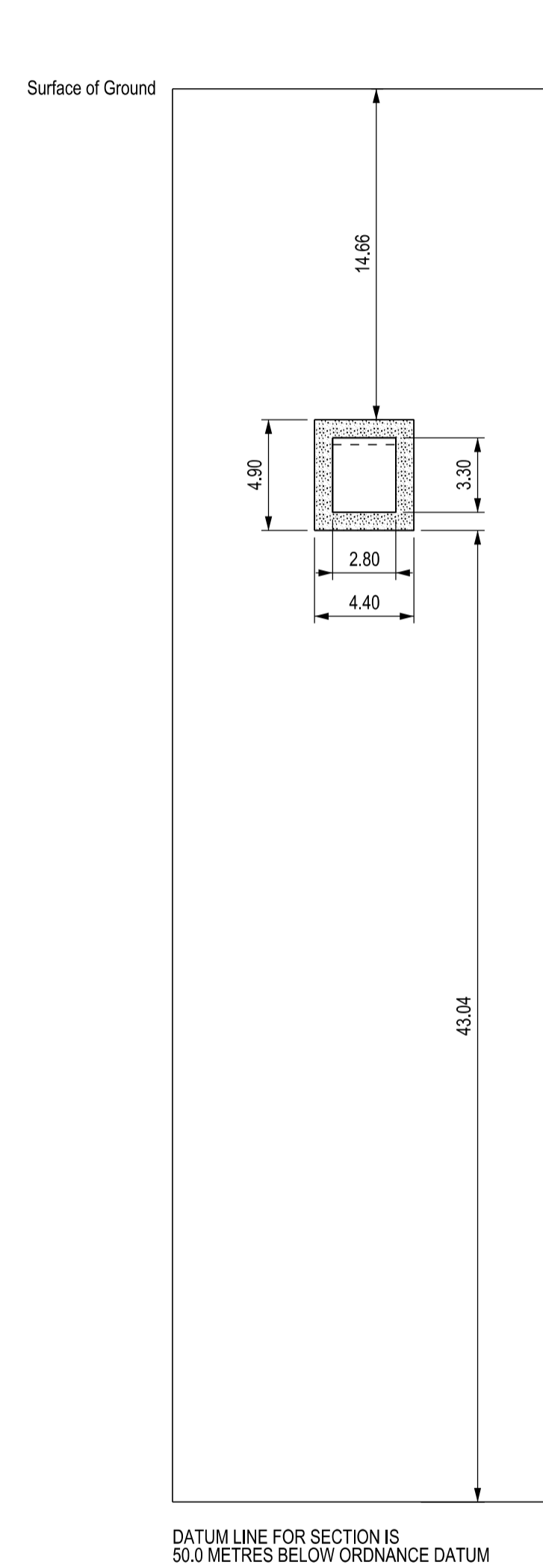
DATUM LINE FOR SECTION IS
50.0 METRES BELOW ORDNANCE DATUM

WORK NO. 14
Cross Section 45



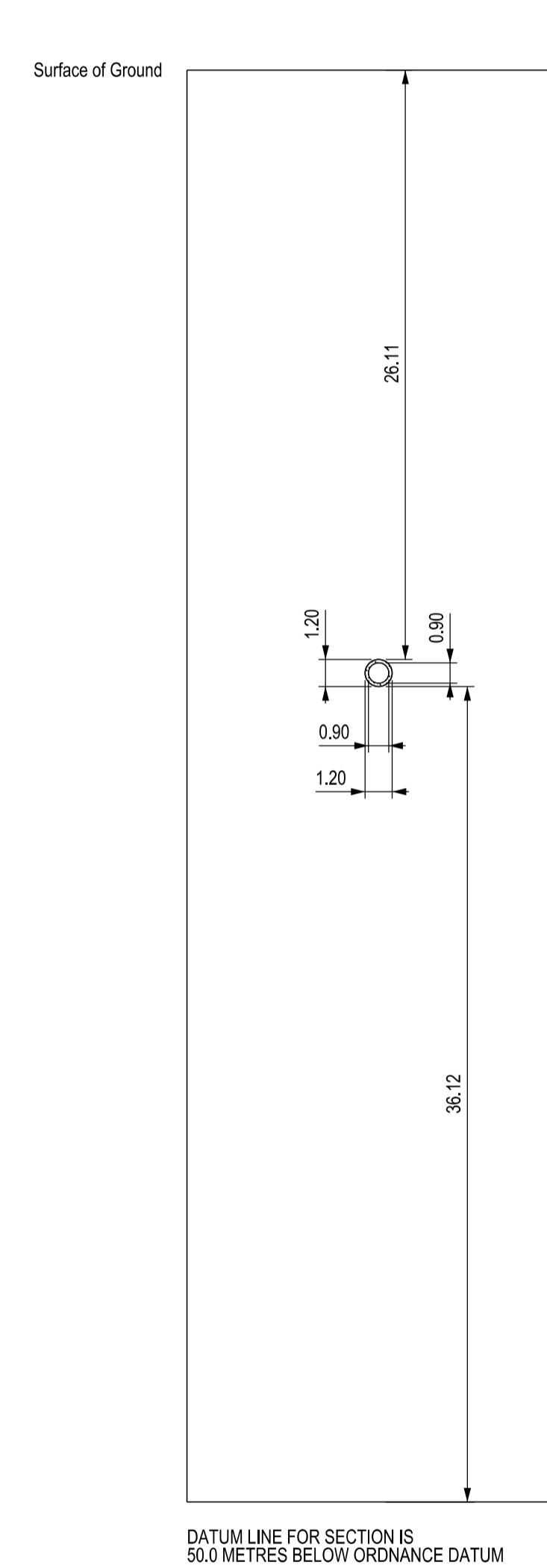
DATUM LINE FOR SECTION IS
50.0 METRES BELOW ORDNANCE DATUM

WORK NO. 15
Cross Section 46



DATUM LINE FOR SECTION IS
50.0 METRES BELOW ORDNANCE DATUM

WORK NO. 16
Cross Section 47

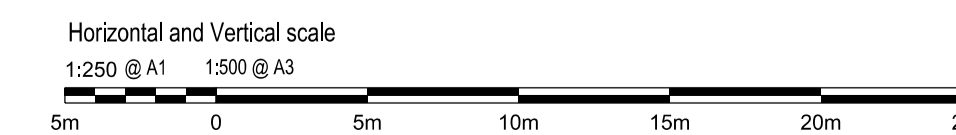


DATUM LINE FOR SECTION IS
50.0 METRES BELOW ORDNANCE DATUM

WORK NO. 17
Cross Section 48

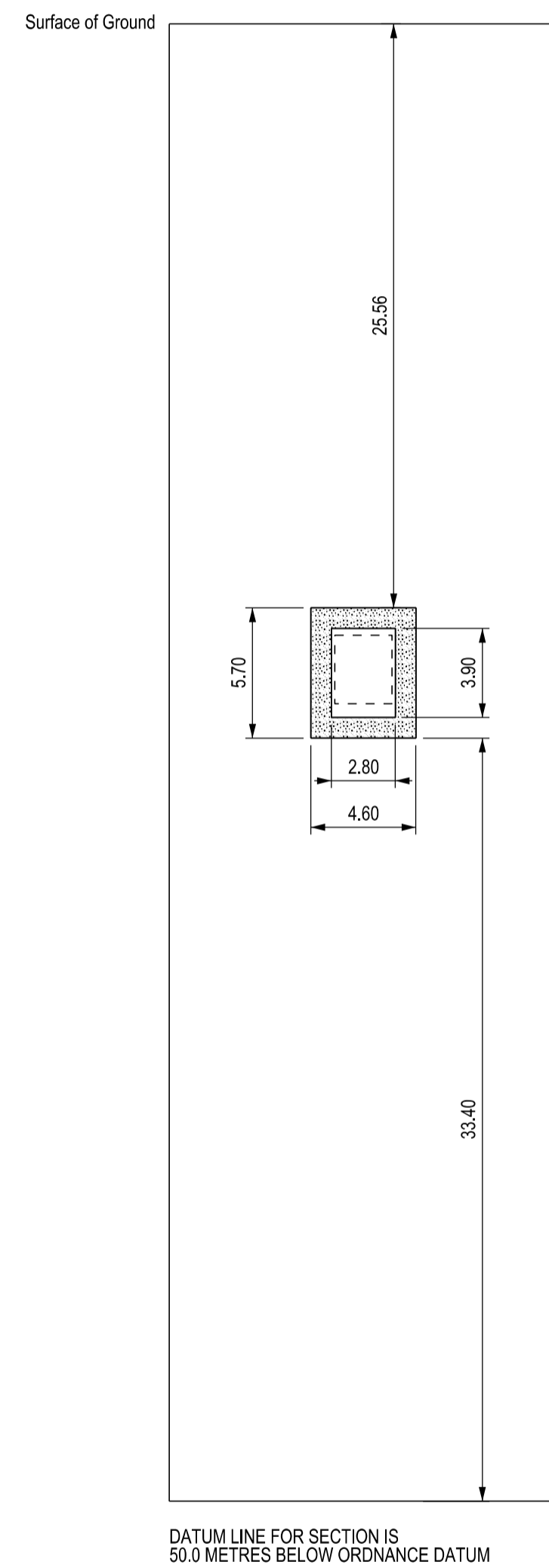
Note: Internal arrangements
shown are indicative only

PROJECT	BANK STATION CAPACITY UPGRADE PROJECT
PURPOSE OF ISSUE	FOR TWAO APPLICATION
TITLE	CROSS SECTION WORK NO. 14, 15, 16 & 17

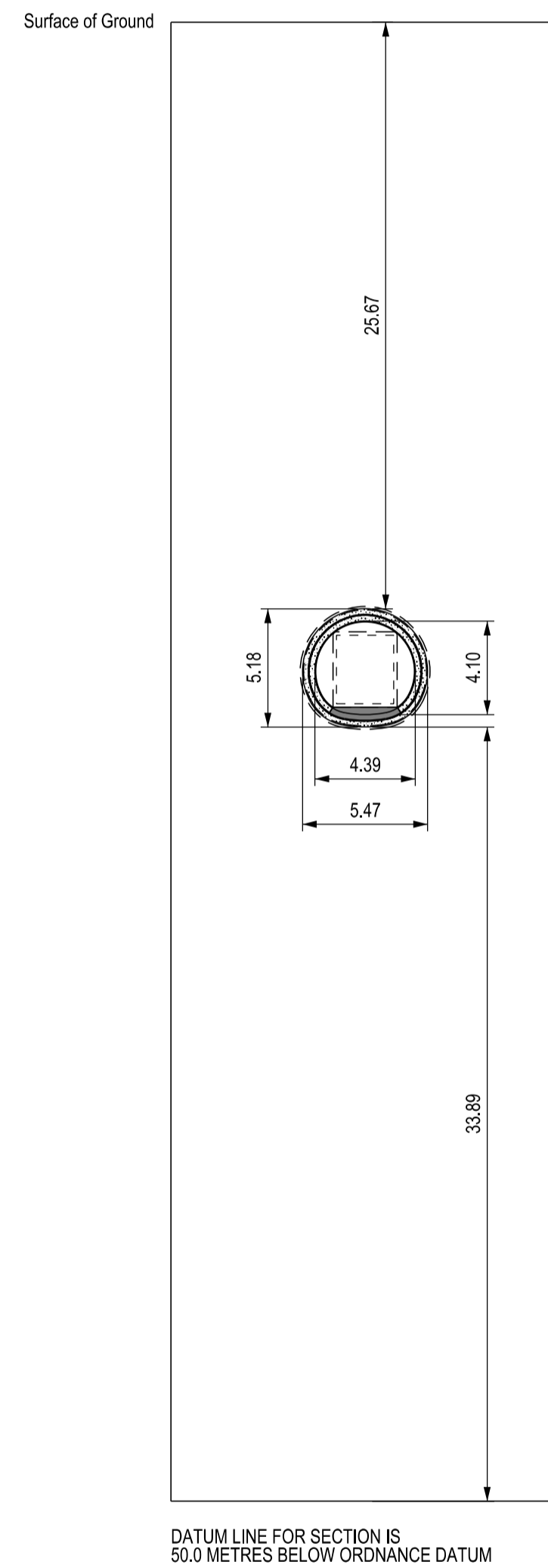


DRAWING NUMBER
BSCU-DRA-MAC-N133 Z-DR-T-0133

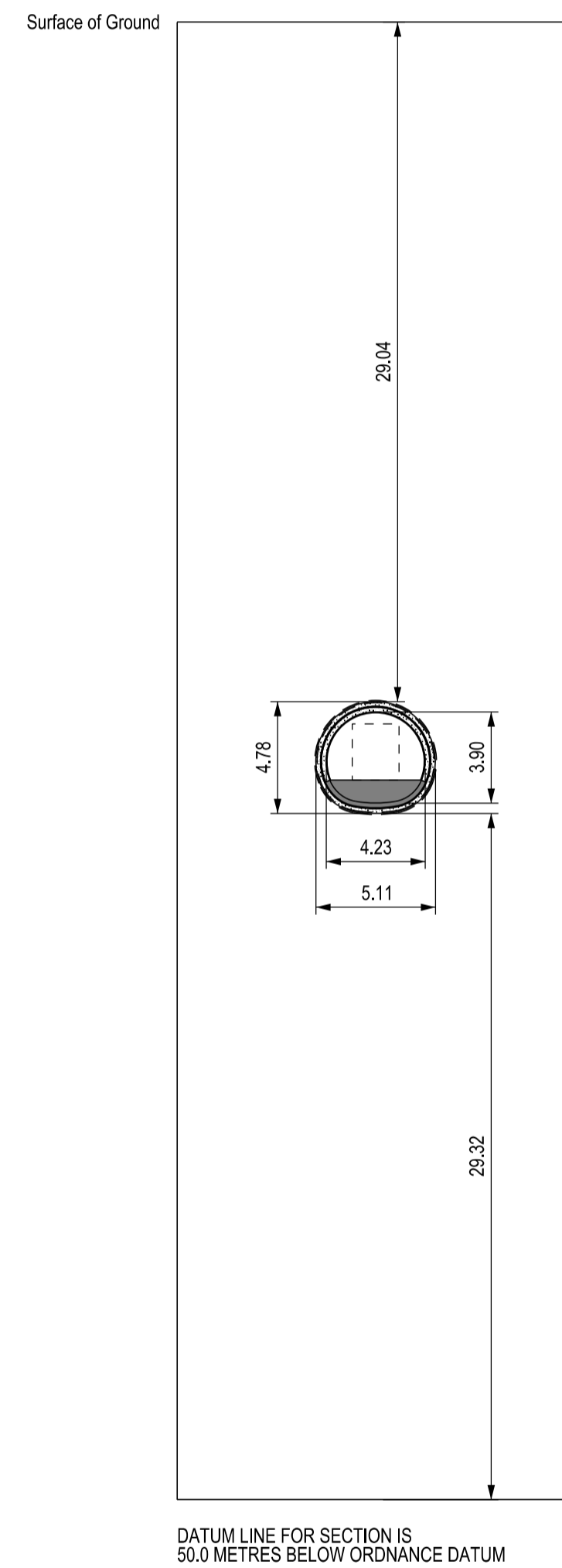
TRANSPORT AND WORKS ACT 1992 LONDON UNDERGROUND (BANK STATION CAPACITY UPGRADE) ORDER



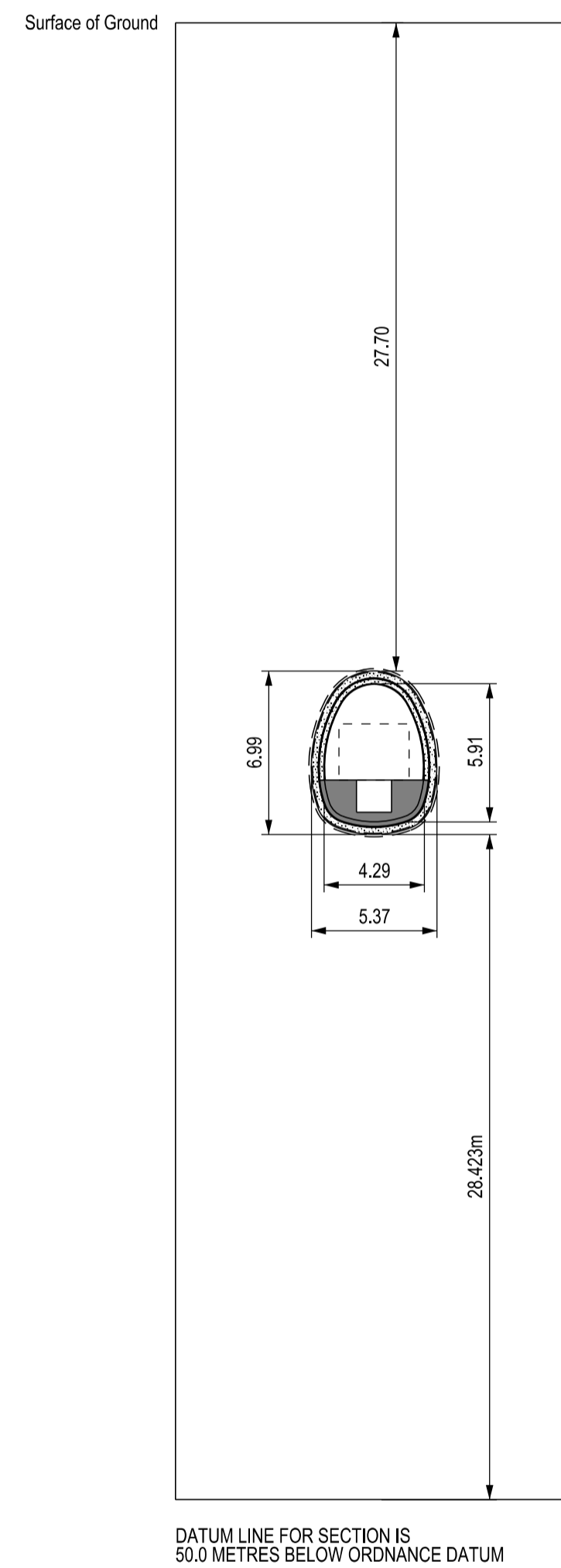
WORK NO. 18
 Cross Section 49



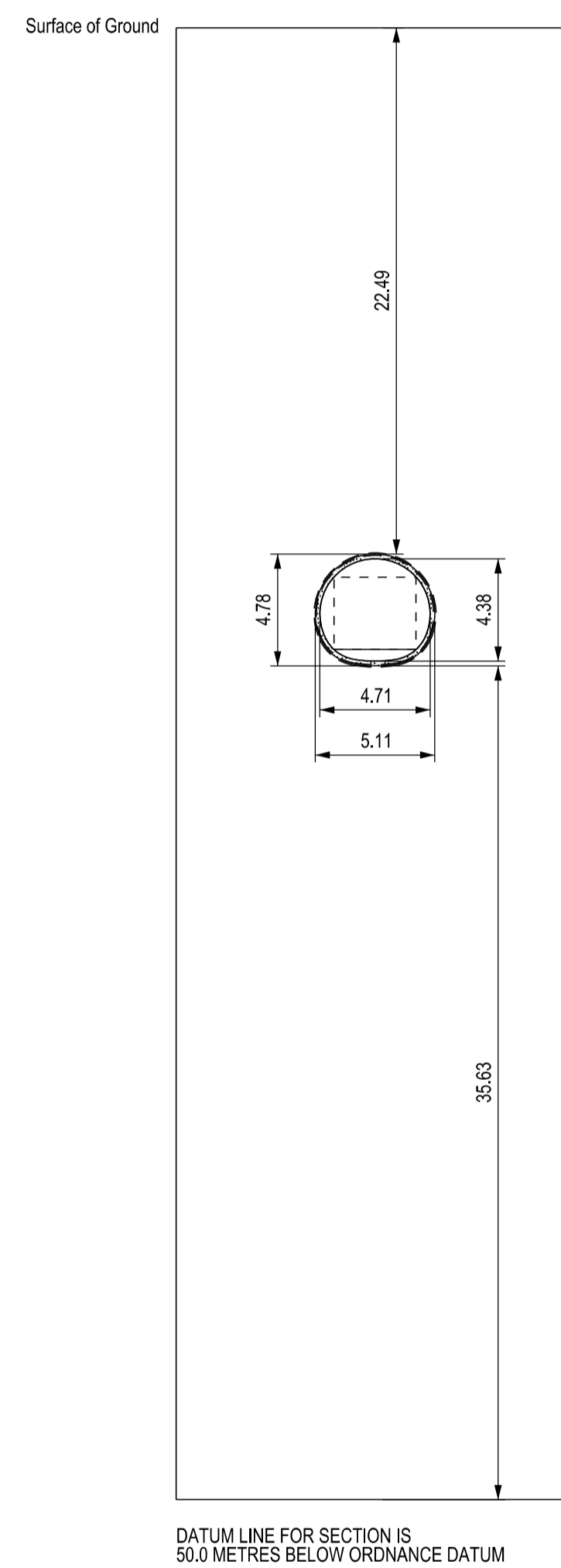
WORK NO. 18
 Cross Section 50



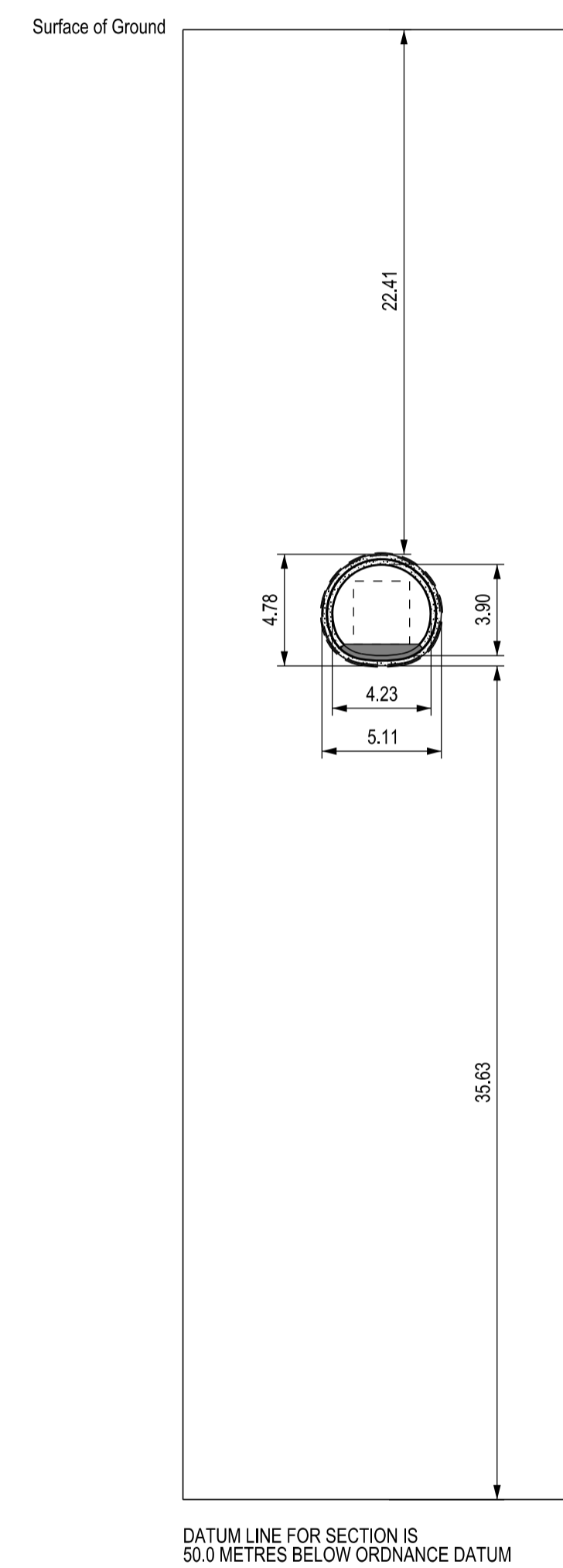
WORK NO. 19
 Cross Section 51



WORK NO. 19
 Cross Section 52



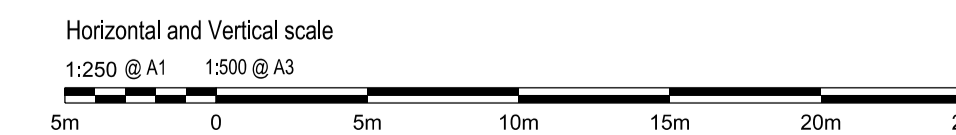
WORK NO. 19
 Cross Section 53



WORK NO. 19
 Cross Section 54

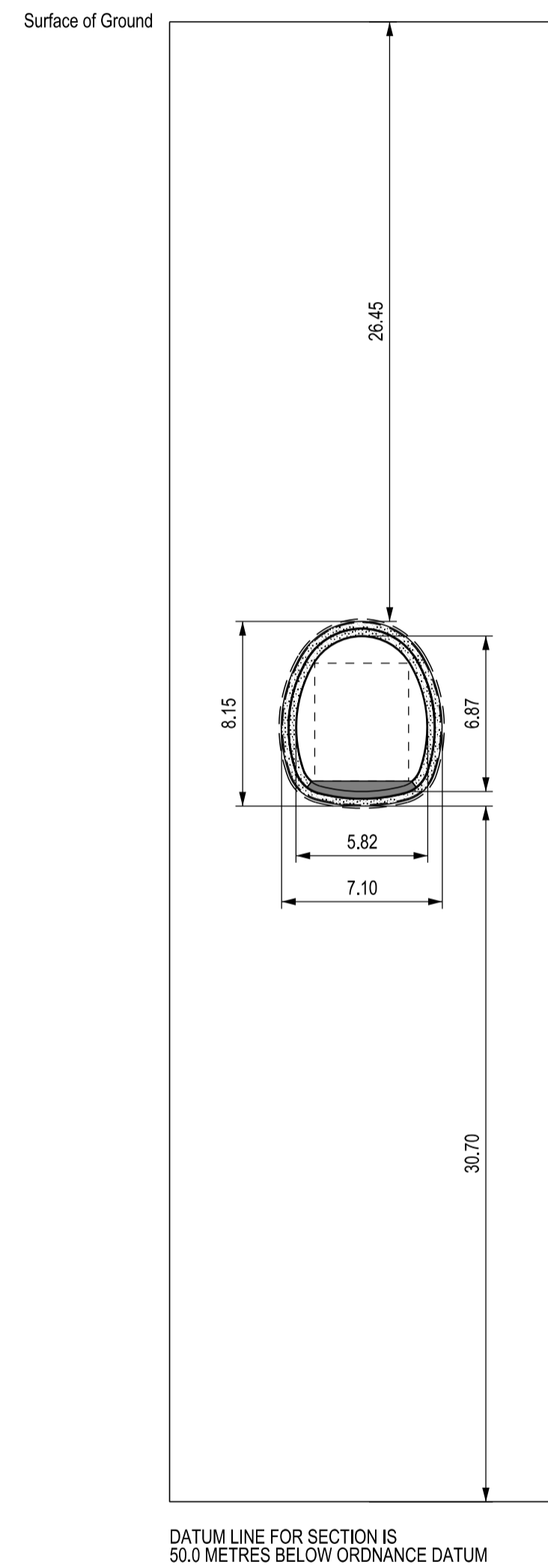
Note: Internal arrangements shown are indicative only

PROJECT	BANK STATION CAPACITY UPGRADE PROJECT
PURPOSE OF ISSUE	FOR TWAO APPLICATION
TITLE	CROSS SECTION WORK NO. 18 & 19

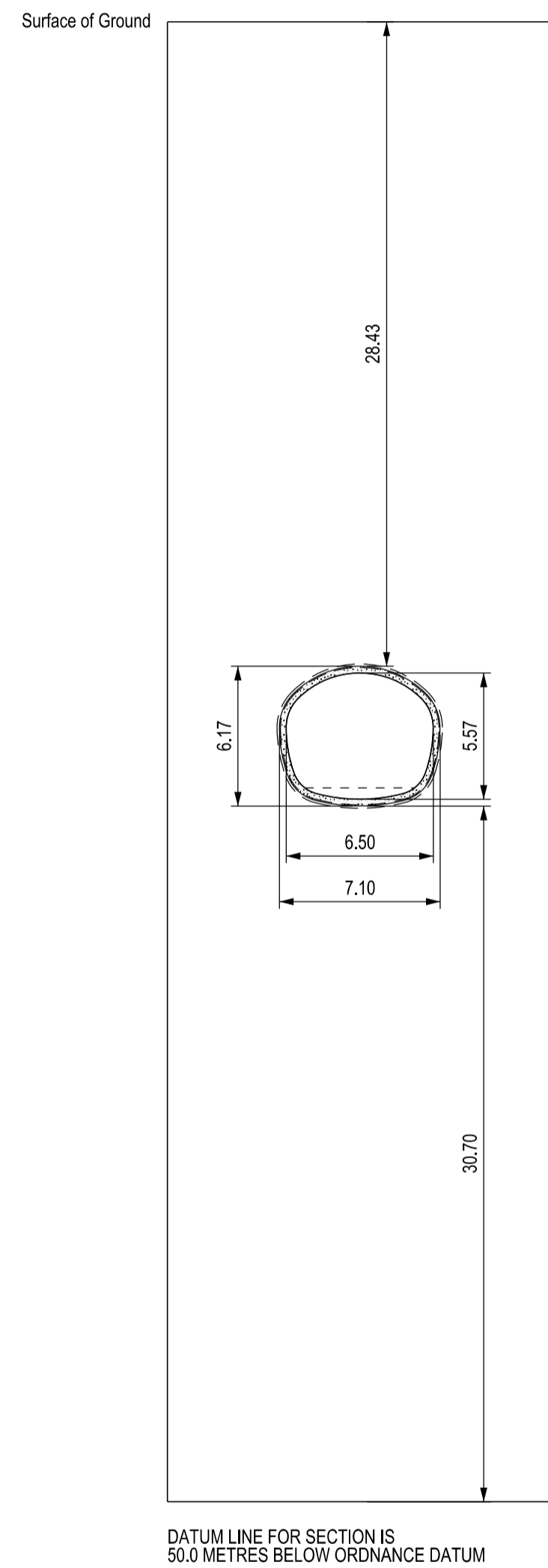


DRAWING NUMBER
 BSCU-DRA-MAC-N133 Z-DR-T-0134

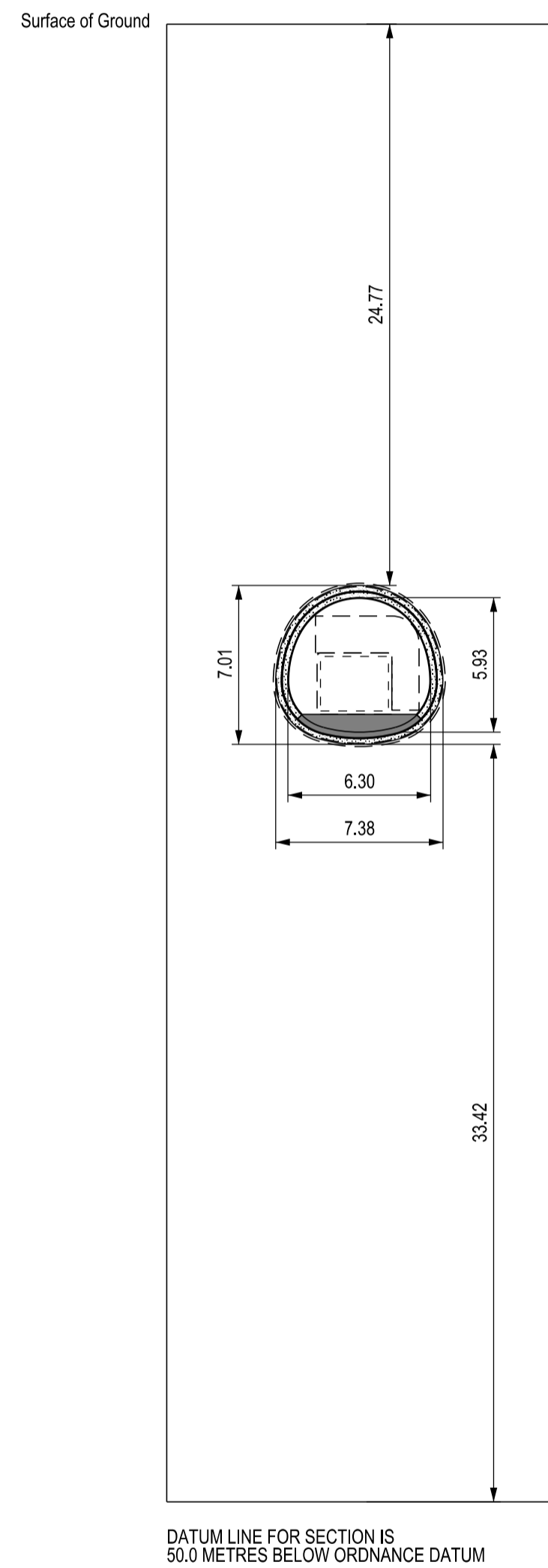
TRANSPORT AND WORKS ACT 1992 LONDON UNDERGROUND (BANK STATION CAPACITY UPGRADE) ORDER



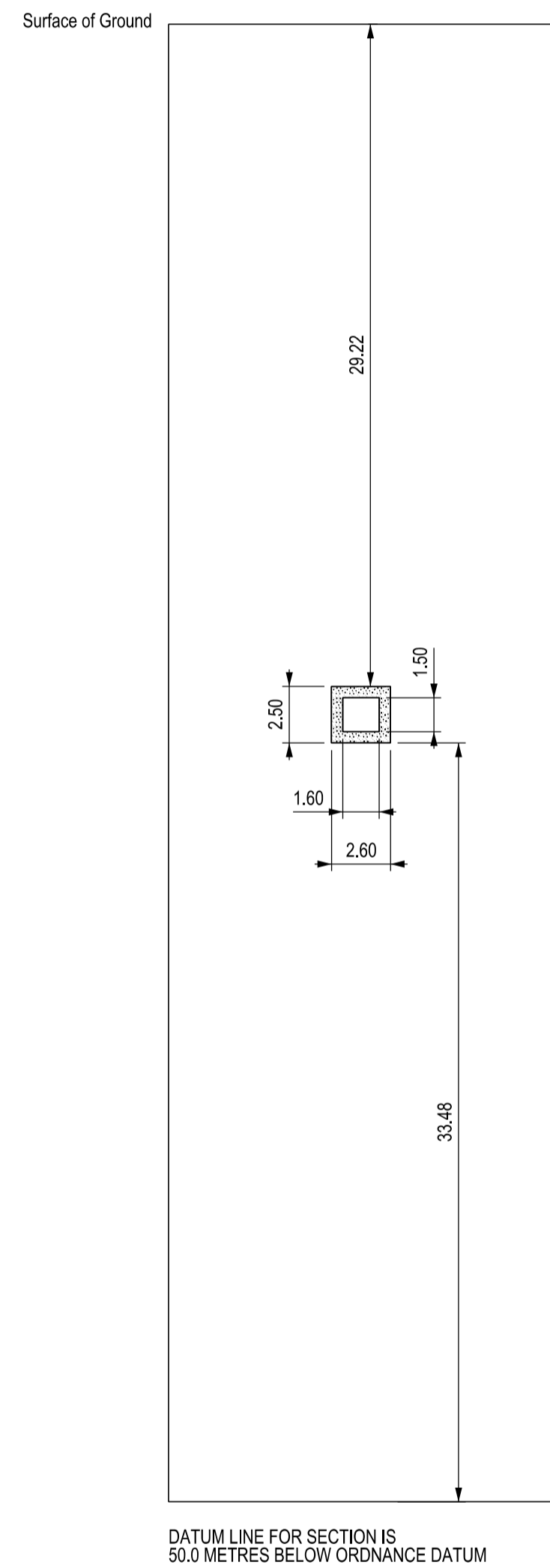
WORK NO. 20
 Cross Section 55



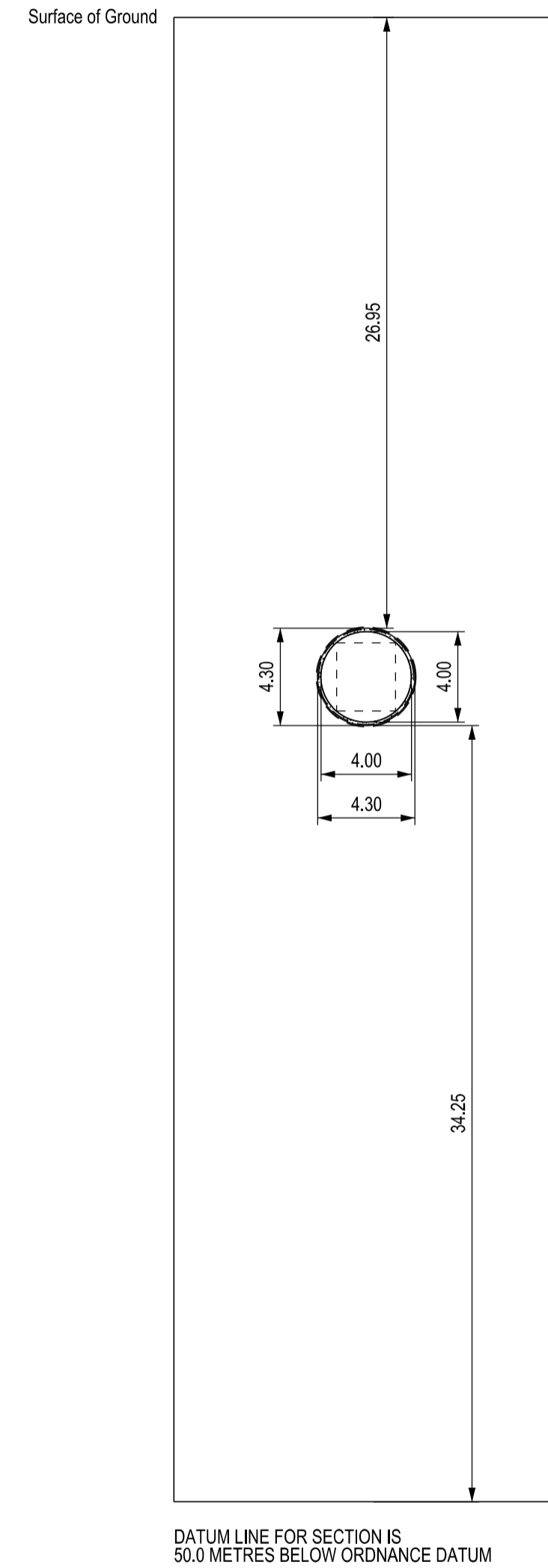
WORK NO. 20
 Cross Section 56



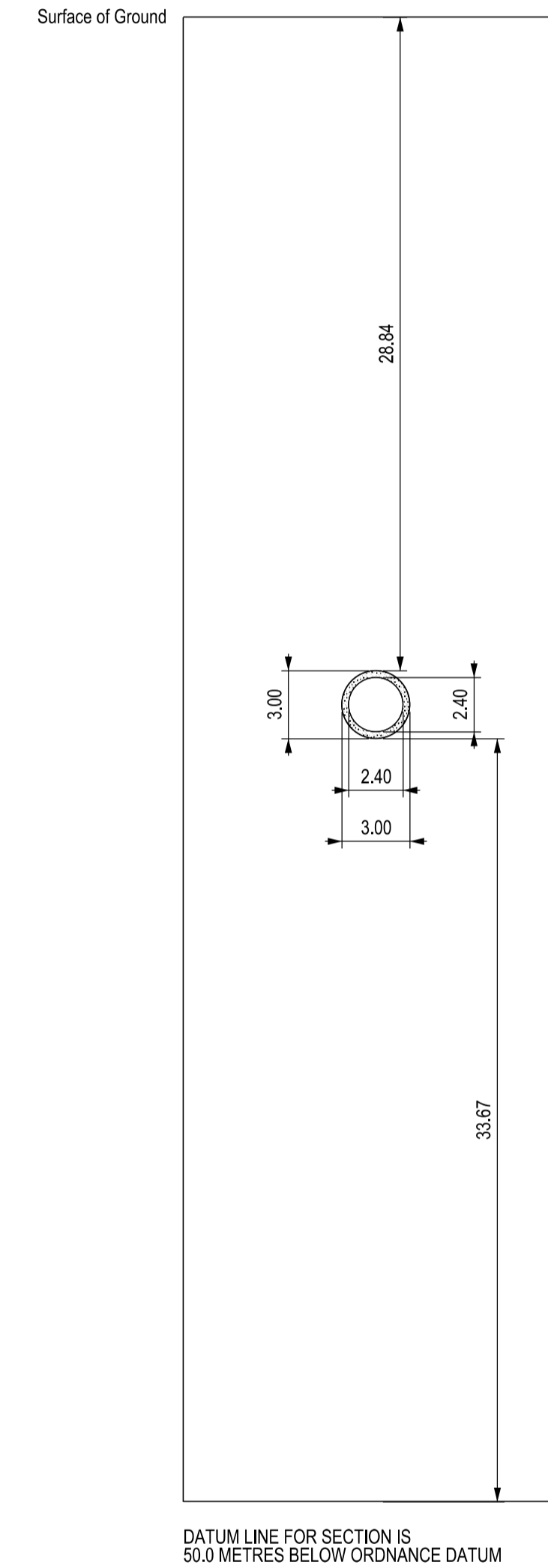
WORK NO. 21
 Cross Section 57



WORK NO. 22
 Cross Section 58



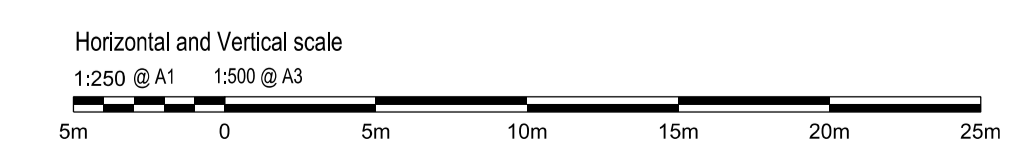
WORK NO. 23
 Cross Section 59



WORK NO. 24
 Cross Section 60

Note: Internal arrangements shown are indicative only

PROJECT	BANK STATION CAPACITY UPGRADE PROJECT
PURPOSE OF ISSUE	FOR TWAO APPLICATION
TITLE	CROSS SECTION WORK NO. 20, 21, 22, 23 & 24

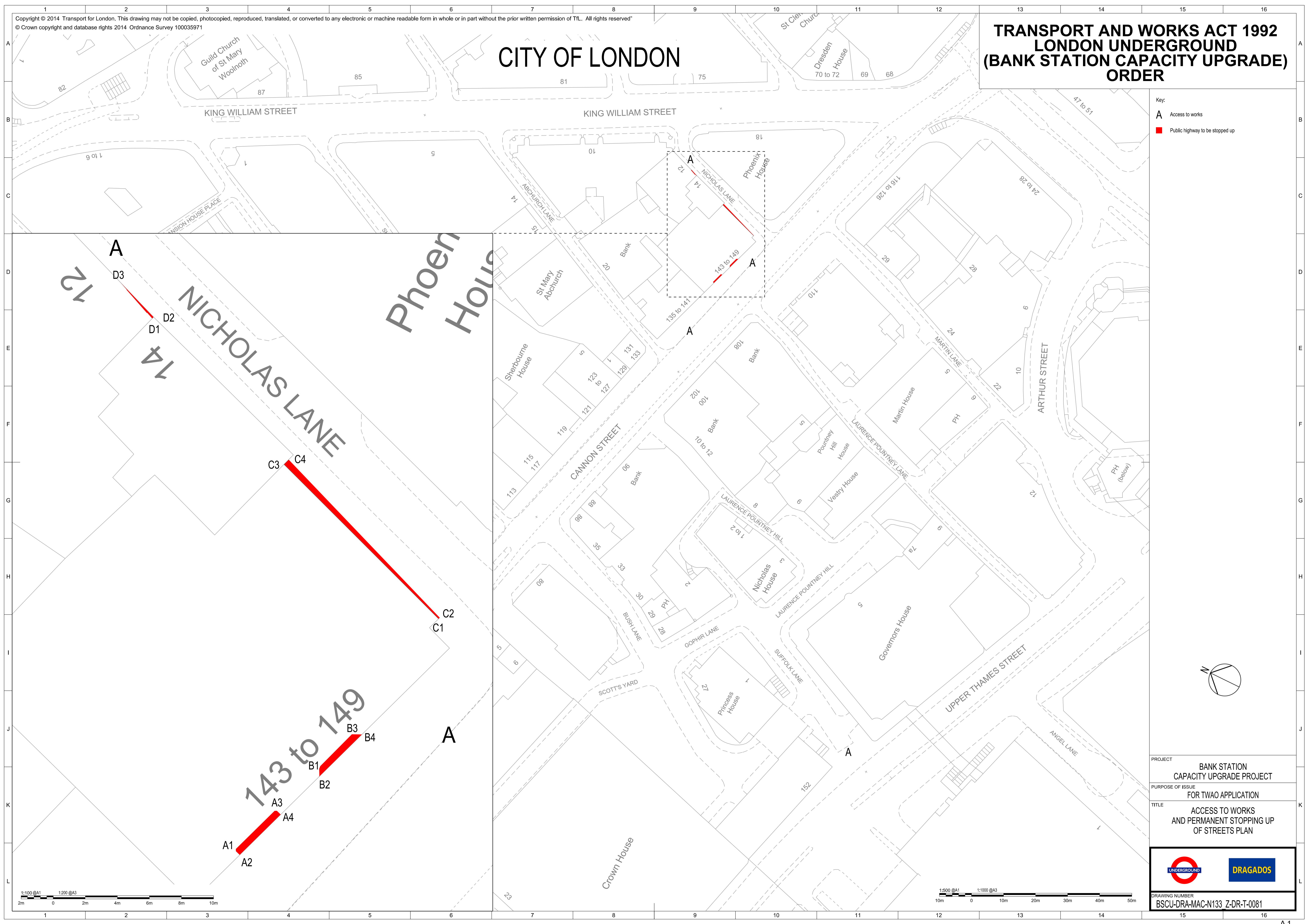


DRAWING NUMBER
 BSCU-DRA-MAC-N133 Z-DR-T-0135

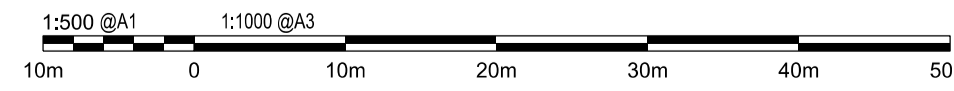
CITY OF LONDON

TRANSPORT AND WORKS ACT 1992 LONDON UNDERGROUND (BANK STATION CAPACITY UPGRADE) ORDER

- Key:
- A Access to works
 - Public highway to be stopped up



PROJECT	BANK STATION CAPACITY UPGRADE PROJECT
PURPOSE OF ISSUE	FOR TWAO APPLICATION
TITLE	ACCESS TO WORKS AND PERMANENT STOPPING UP OF STREETS PLAN
 	
DRAWING NUMBER	BSCU-DRA-MAC-N133 Z-DR-T-0081



This page is intentionally blank