

National Rail validator and gateline graphics standard

Issue 01

Contents

Foreword

- 1 National Rail yellow validator - standard (small version)
- 2 National Rail yellow validator - ruggedised (large version)
- 3 National Rail E2 gate

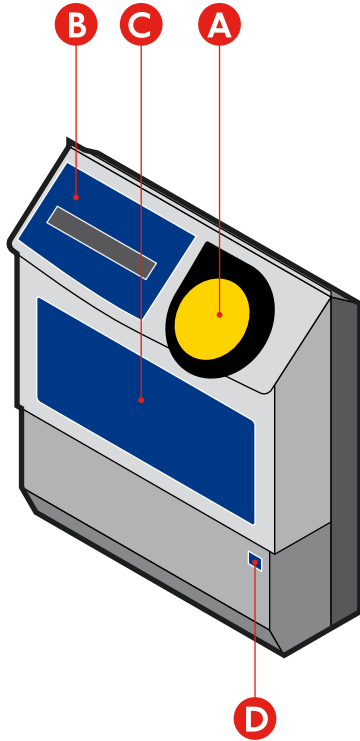
Further information

Foreword

The National Rail validator and gateline graphics standard has been designed to ensure consistency of contactless graphic notices across all TfL managed National Rail validators.

For guidance on the correct use of the notices, please contact the TfL Graphics team (corporatedesign@tfl.gov.uk).

I National Rail yellow validator - standard (small version)



Compulsory vinyls

Vinyls A, B, C and D must be applied to all small yellow validator machines.

- A **YV_011**
Yellow RTD card and device reader
- B **YV_NATRAL_008**
Please touch your card or device on the reader
- C **YV_003**
Contactless payments accepted
- D **LUSS_101**
Device ID

I.1 Yellow RTD card and device reader

Artwork reference

YV_011

Position reference

A
(Placed on reader)

Size

95mm (diam)

Colours

- Pantone 116 Yellow
- Pantone Cool Grey 10



1.2 Please touch your card or device on the reader (small version)

Artwork reference

YV_NATRAL_008

Position reference

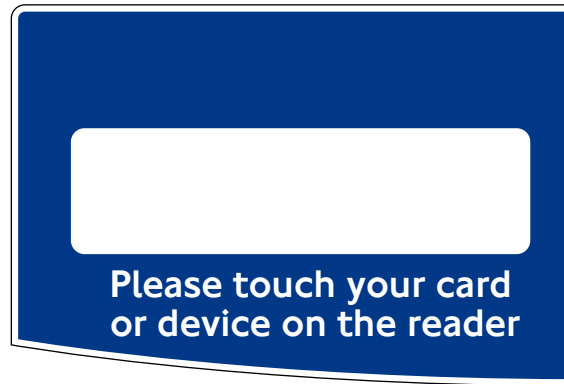
B
(Placed on reader panel)

Size

167 x 112mm

Colours

- Pantone 072 Blue



1.3 Contactless payments accepted (small version)

Artwork reference
YV_NATRAL_003

Position reference
C
(Centred on top front panel)

Size
280 x 140mm

Colours

- Pantone 072 Blue
- CMYK



I.4 Device ID

Artwork reference
LUSS_I01

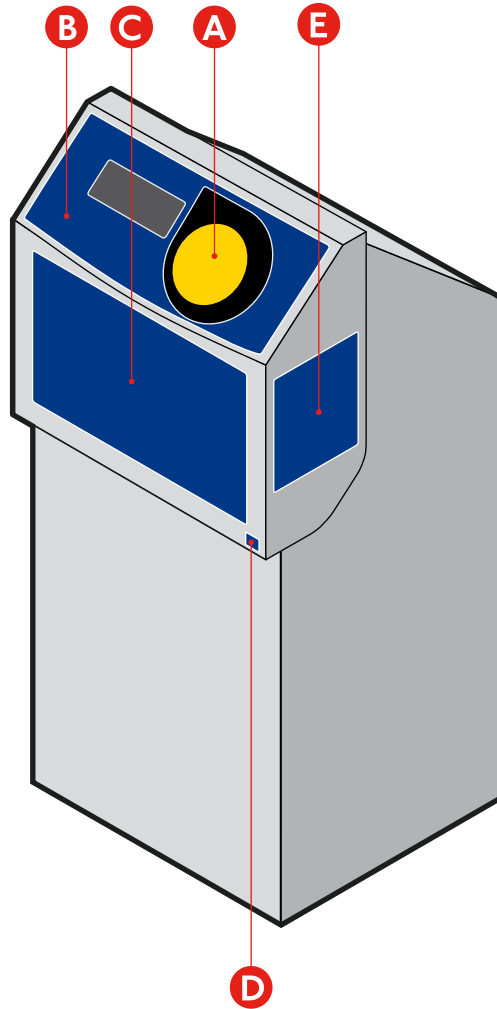
Position reference
D

Size
19 x 17mm

Colours
• Pantone 072 Blue



2 National Rail yellow validator - ruggedised (large version)



Compulsory vinyls

Vinyls A, B, C, D and E must be applied to all large yellow validator machines.

- A YV_011**
Yellow RTD card and device reader
- B YV_NATRAL_009**
Please touch your card or device on the reader
- C YV_NATRAL_004**
Contactless payments accepted
- D LUSS_101**
Device ID
- E YV_007**
Please touch in and out
(this vinyl appears twice - on the two opposing sides of the validator)

2.1 Yellow RTD card and device reader

Artwork reference

YV_011

Position reference

A
(Placed on reader)

Size

95mm (diam)

Colours

- Pantone 116 Yellow
- Pantone Cool Grey 10



2.2 Please touch your card or device on the reader (large version)

Artwork reference
YV_NATRAL_009

Position reference
B
(Placed on reader panel)

Size
383 x 167mm

Colours
• Pantone 072 Blue



2.3 Contactless payments accepted (large version)

Artwork reference

YV_NATRAL_004

Position reference

C
(Centred on top front panel)

Size

342 x 242mm

Colours

- Pantone 072 Blue
- CMYK



2.4 Device ID

Artwork reference
LUSS_I01

Position reference
D

Size
19 x 17mm

Colours
• Pantone 072 Blue



2.5 Please touch in and out

Artwork reference

YV_007

Position reference

E

(Centred on both side top side panels)

Size

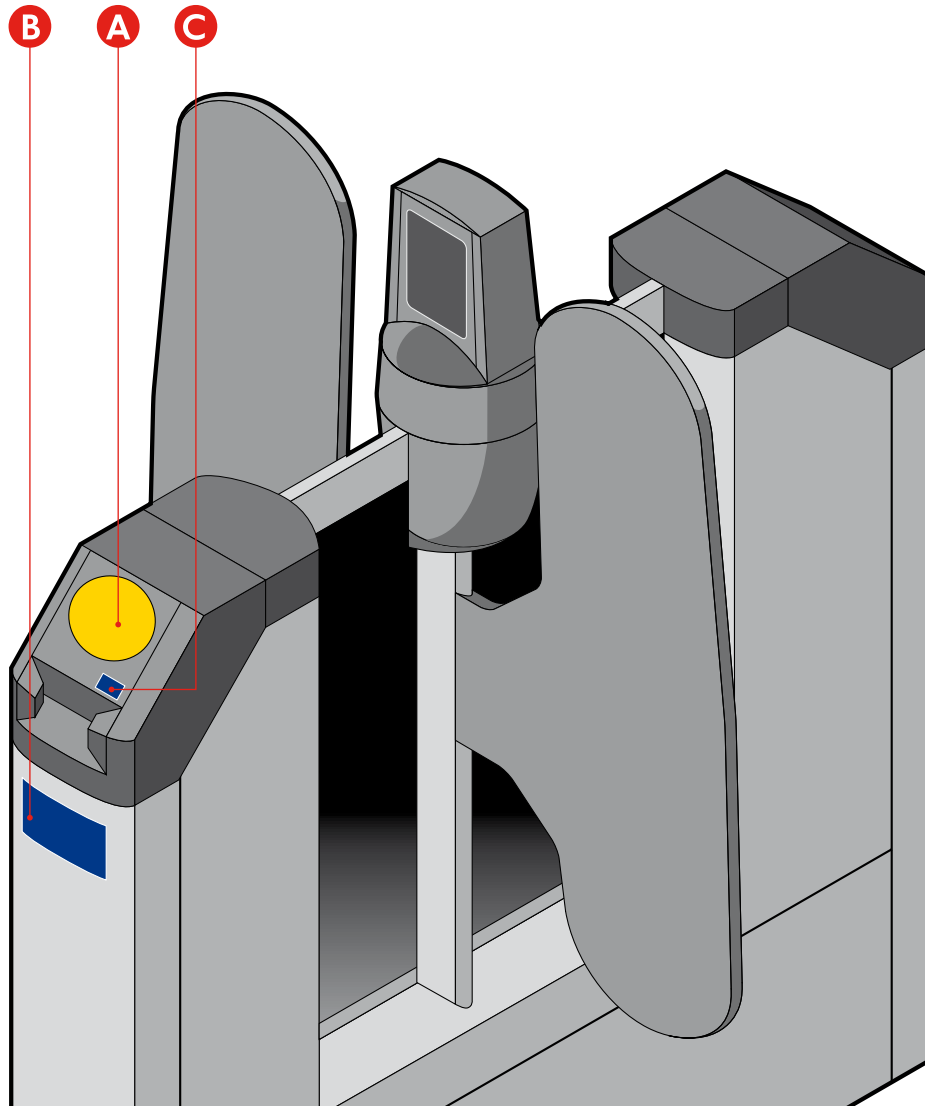
135 x 180mm

Colours

- Pantone 072 Blue
- Pantone 116 Yellow
- Pantone Cool Grey 10



3 National Rail E2 gate



Compulsory vinyls

Vinyls A, B and C must be applied to all E2 gates.

A LUSS_360

Yellow RTD card and device reader
(E2 gate)

B NATRAL_329

Contactless payments accepted

C LUSS_101

Device ID

3.1 E2 gate - yellow RTD card and device reader

Artwork reference

LUSS_360

Position reference

A
(placed on reader)

Size

94 x 94mm

Colours

- Pantone 116 Yellow
- Pantone Cool Grey 10
- CMYK

Note

This notice must be displayed on all E2 gate RTD card readers.

Placed on both entry and exit sides of the gate.

Promotional RTD card reader vinyls may be displayed from time to time.



3.2 E2 gate - contactless payments accepted

Artwork reference
NATRAL_329

Position reference
B

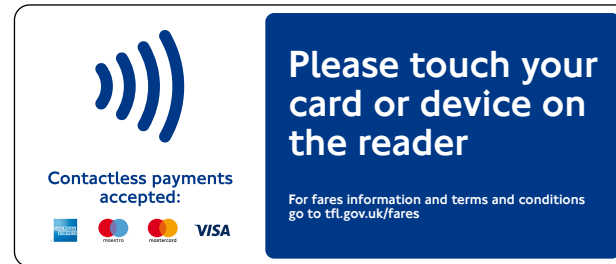
Size
140 x 60mm

Colours

- Pantone 072 Blue
- CMYK

Note

Placed on both entry and exit sides of the gate.



3.3 E2 gate - device ID

Artwork reference

LUSS_I01

Position reference

C

Size

19 x 17mm

Colours

- Pantone 072 Blue

Note

In Underground stations, gates are numbered within the 40-79 range.

E2 wide aisle gates are numbered in the 20-26 range.

Placed on both entry and exit sides of the gate.



Further information

These standards intend to outline basic principles and therefore cannot cover every application or eventuality.

In case of difficulty or doubt as to how to apply these standards, please contact The TfL Graphics team.

Email: corporatedesign@tfl.gov.uk

Issue 1

August 2023

© Transport for London

MSRV23_055 National Rail validator and gateline graphics standard - Issue 01