



GT46/37/113

**ROAD TRAFFIC REGULATION ACT 1984 - SECTIONS 64 AND 65
AUTHORISATION OF TRAFFIC SIGNS AND SPECIAL DIRECTIONS**

The Secretary of State for Transport, in exercise of his powers under Sections 64 and 65 of the Road Traffic Regulation Act 1984, and of all other powers enabling him in that behalf, for the purpose of assisting in the free flow of vehicular traffic at the junction of Stockwell Road, Brixton Road and Gresham Road for which Transport for London is the traffic authority, hereby:-

1. authorises the placing at or within the vicinity of the sites shown on the attached plan numbered GT46/37/113(Pt2)-3 of traffic signs consisting of road markings (hereinafter referred to as "the authorised markings") conforming as to size, colour and character with that shown in diagram 1043 in Schedule 6 to the Traffic Signs Regulations 2002 (Part I of SI 2002/3113, "the 2002 Regulations"), save that the overall shape of the authorised markings shall be as shown on the said plan; and
2. directs, without prejudice to any statutory provision to the like effect, that it is a condition of this authorisation that the placing of the authorised marking at or near the said sites shall continue to have effect only until such day as may be appointed by one month's notice given by the Secretary of State in writing to the traffic authority for the removal or alteration of the authorised marking and on that day the said authorisation shall, without prejudice to the giving of any further authorisation or direction, cease to have effect.



GT46/37/113

Section 36 of the Road Traffic Act 1988 shall apply to the authorised markings as it applies to the marking shown in diagram 1043 in Schedule 6 to the 2002 Regulations.

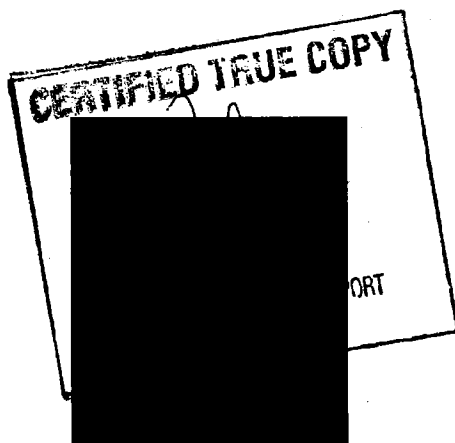
The provisions of Regulations 12 and 31 of the 2002 Regulations shall apply to the authorised markings in the same manner as they apply to the marking shown in the said diagram 1043.

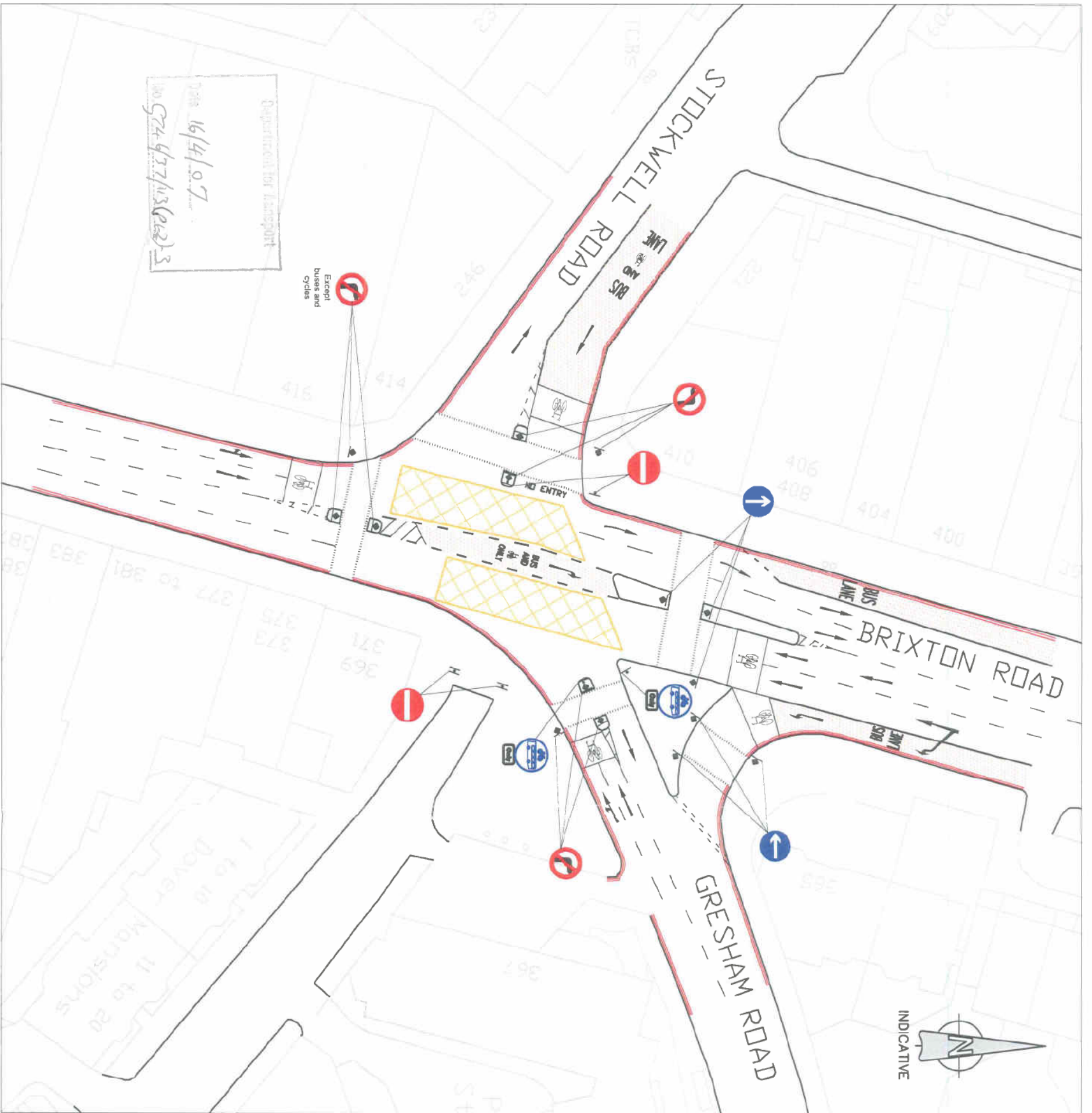
Dated *20 April*2007

Signed by authority of the Secretary of State



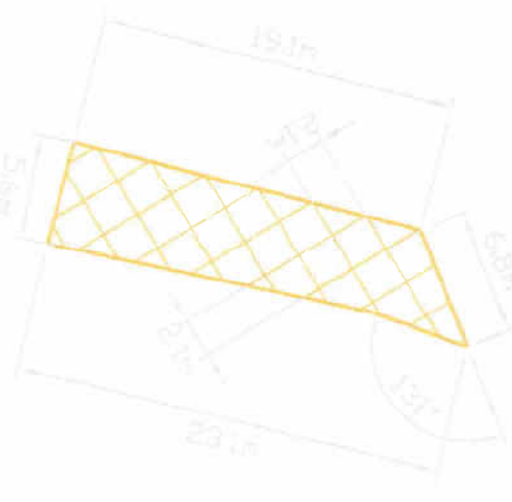
.....
A Grade 7 Official of the Department for Transport





EXISTING ROAD MARKING

822

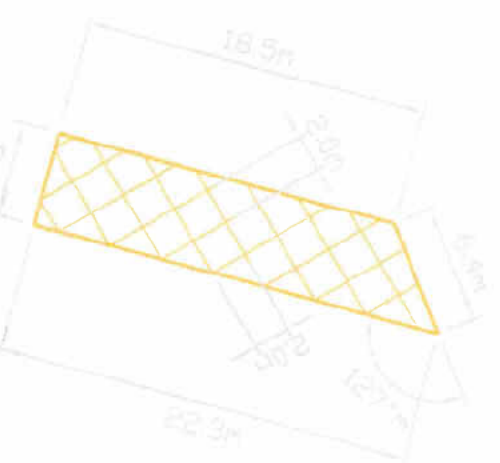


YBJ Boundary line thickness: 200mm
 YBJ Hatch line thickness: 150mm
 YBJ Hatch Intersection Angle: 90°

Scale : 1/400

EXISTING ROAD MARKING

800



YBJ Boundary line thickness: 200mm
 YBJ Hatch line thickness: 150mm
 YBJ Hatch Intersection Angle: 90°

Scale : 1/400

	scale	date	DRN	CHK	APP
	AS_SHOWN	12/03/07	GM	VC	AD

STOCKWELL_RD_/_BRIXTON_RD_/_
 _GRESHAM_RD

Traffic Enforcement
 Engineering Services

NO LAMB_800_&_822_03
 PLOT

CAD

This map is reproduced from Ordnance Survey material with the permission of Ordnance Survey on behalf of the Controller of Her Majesty's Stationery Office. Crown copyright. Unauthorised reproduction infringes Crown copyright and may lead to prosecution or civil proceedings. (64X)100032379 (2002).

Scale : 1/500